

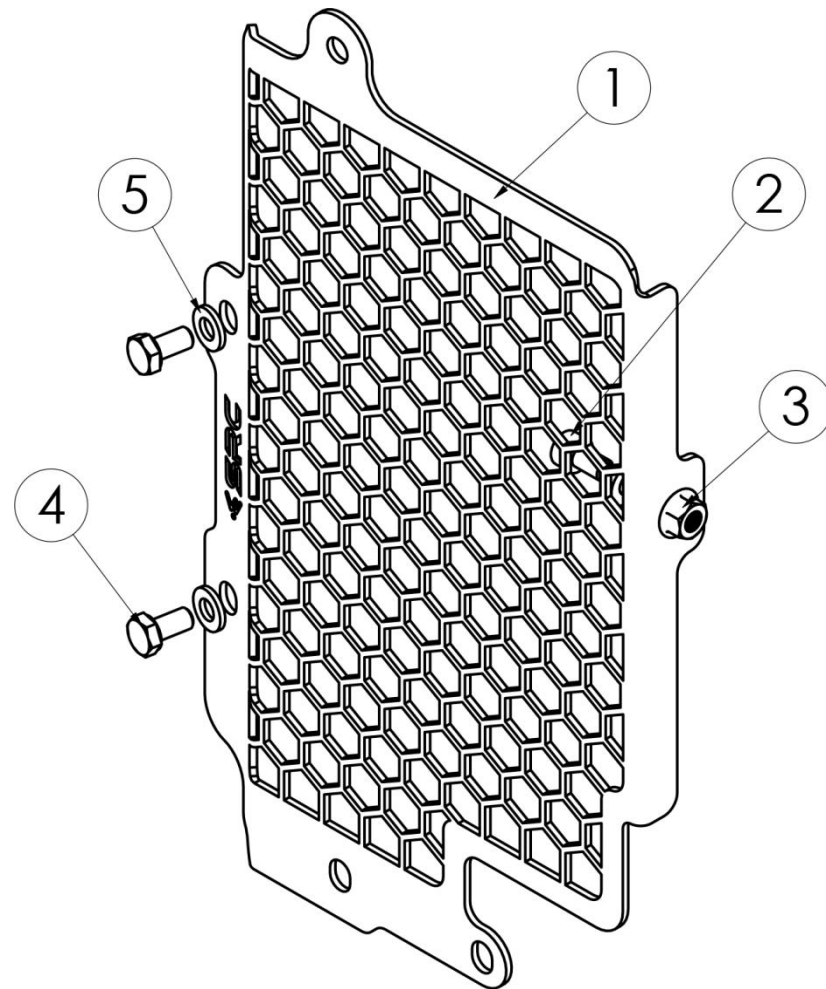
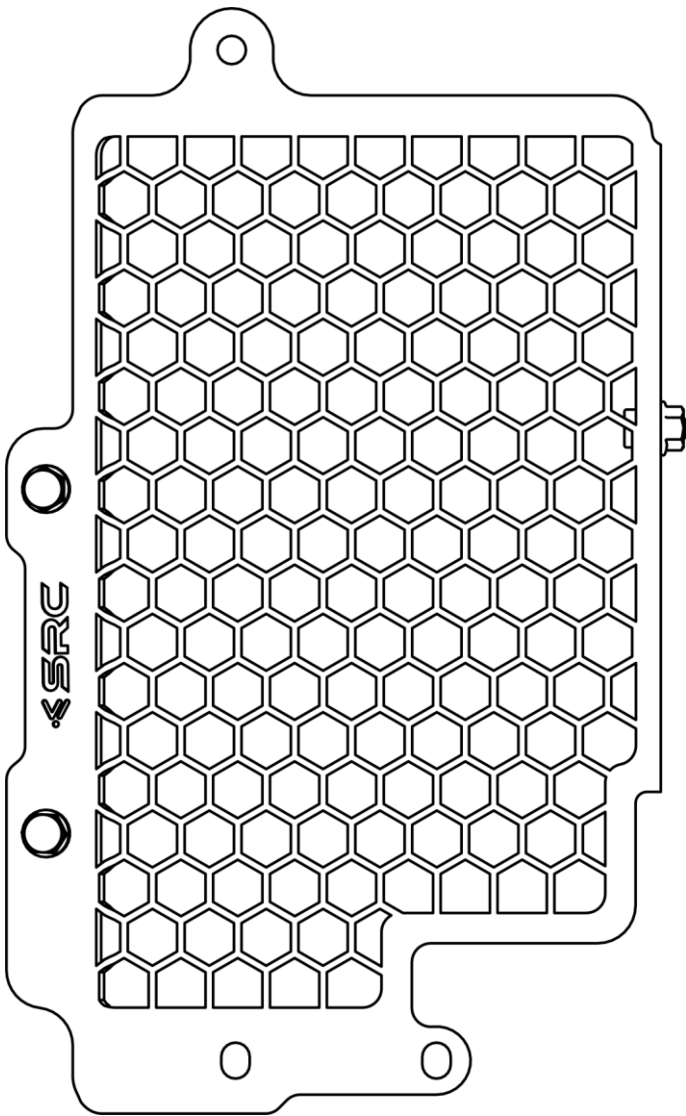
Scope of Supply/Bill of Material & Mounting Drawings

Part Number: Y-WR155-02-01-SL - Y-WR155-02-02

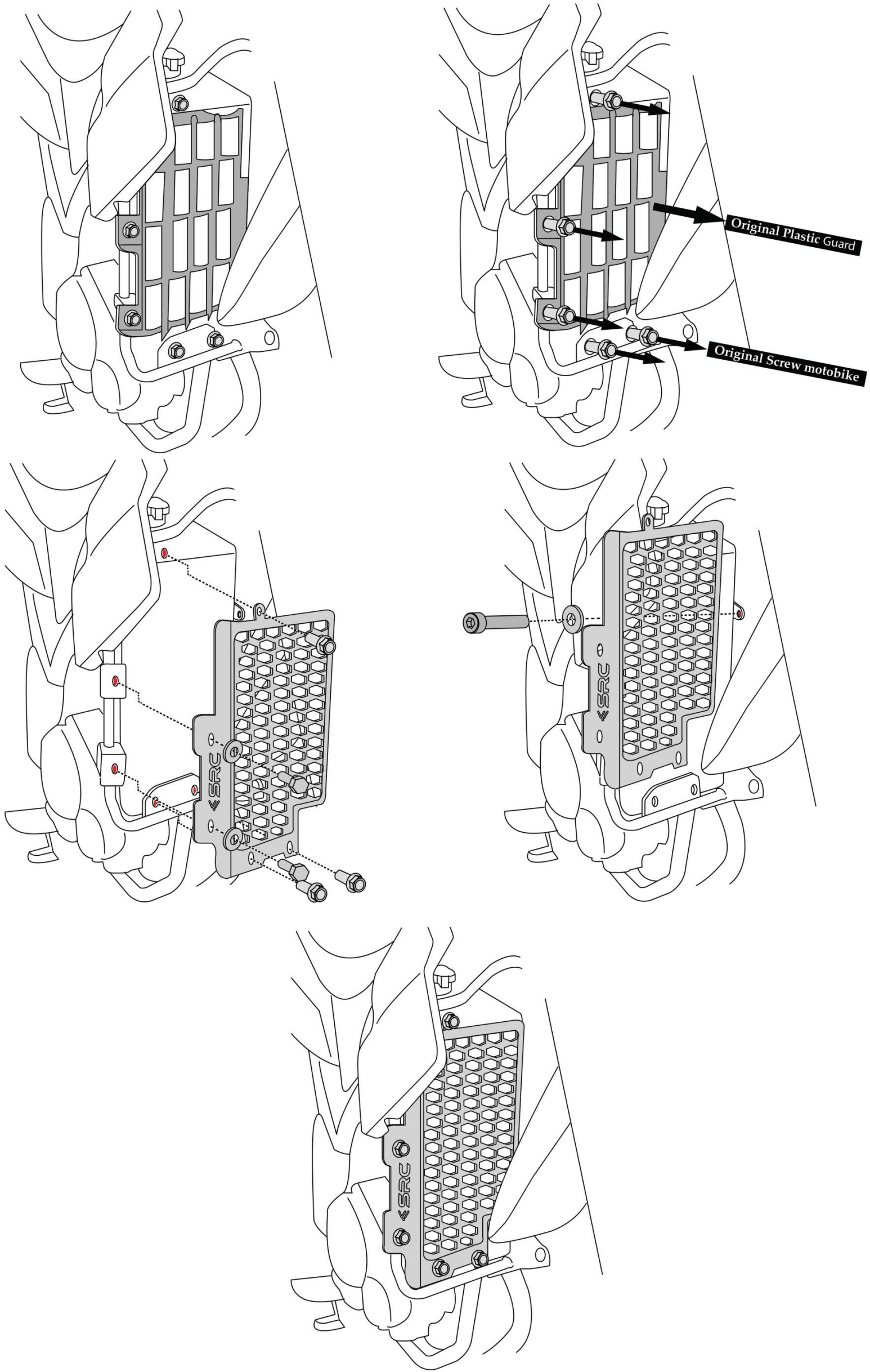
Part Description: Radiator Guard – YAMAHA WR155 R

Installation / Parts List / Bill of Material for Mounting

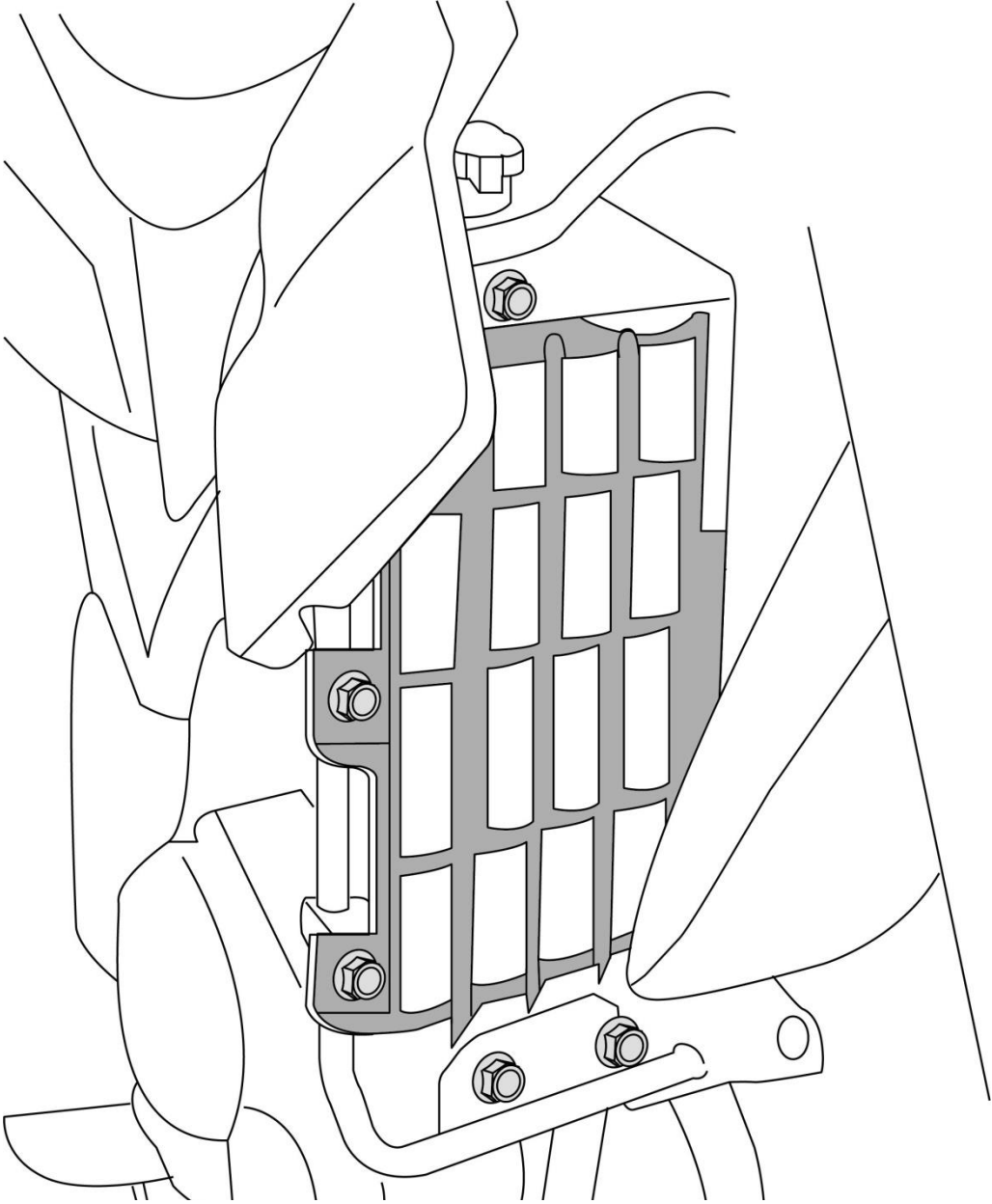
NO.	Description	Quantity	Torque * (N-M)	Remarks **	Chacklist
1	Radiator Guard	1			
2	Hex Socket Head M6x10	1	9 - 10		
3	Nut M6	1			
4	Counter Bolt M6 x 12	2	9 - 10		
5	Washer M6	3			
SRC Design uses Metric System of Measurement and all dimensions in Millimeters					
* Recommended to use the Torque specified in the table					
** Denotes Usage of Liquid Thread Locker in specified Locations					



MOUNTING DRAWINGS

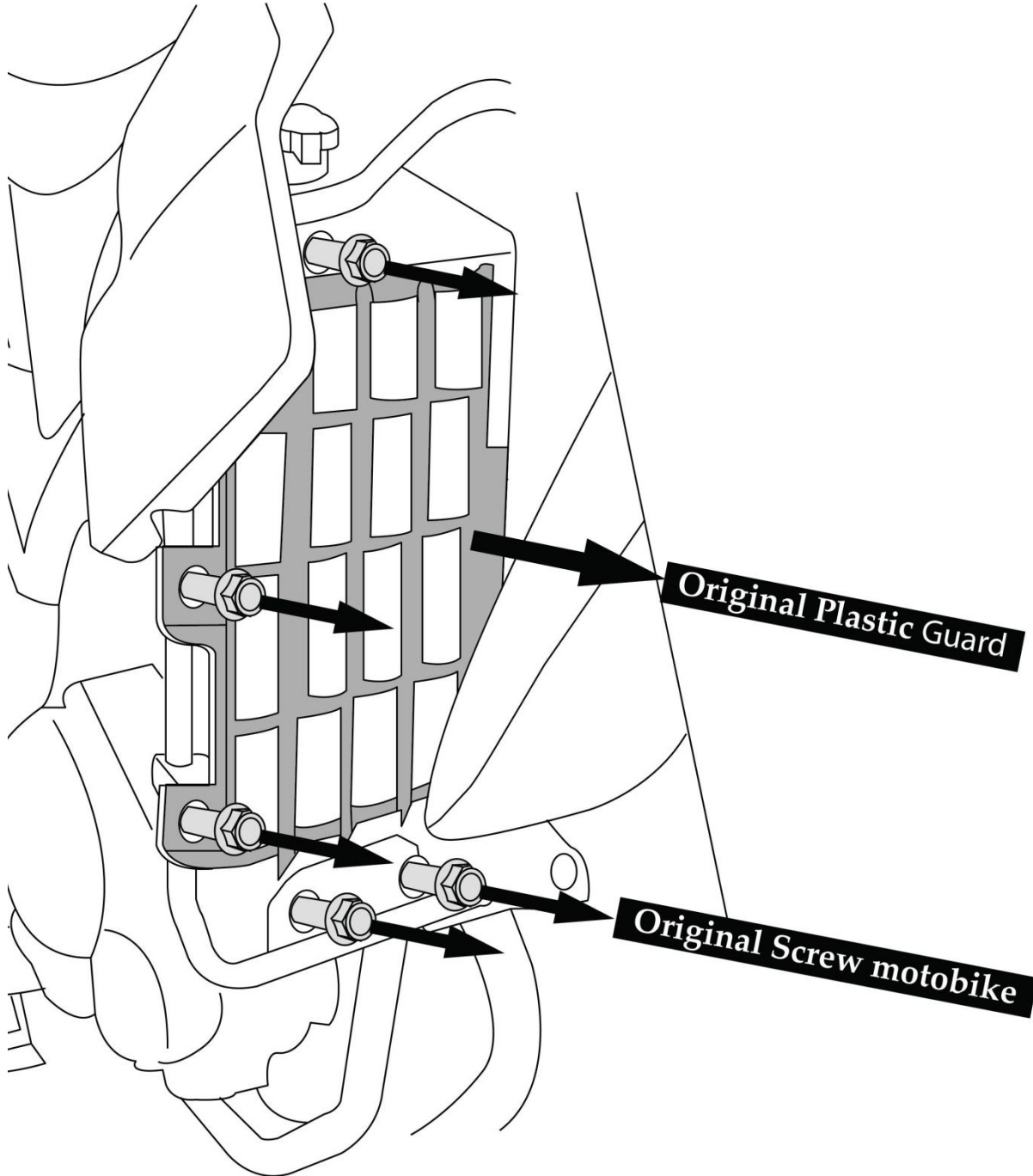


Mounting Installation



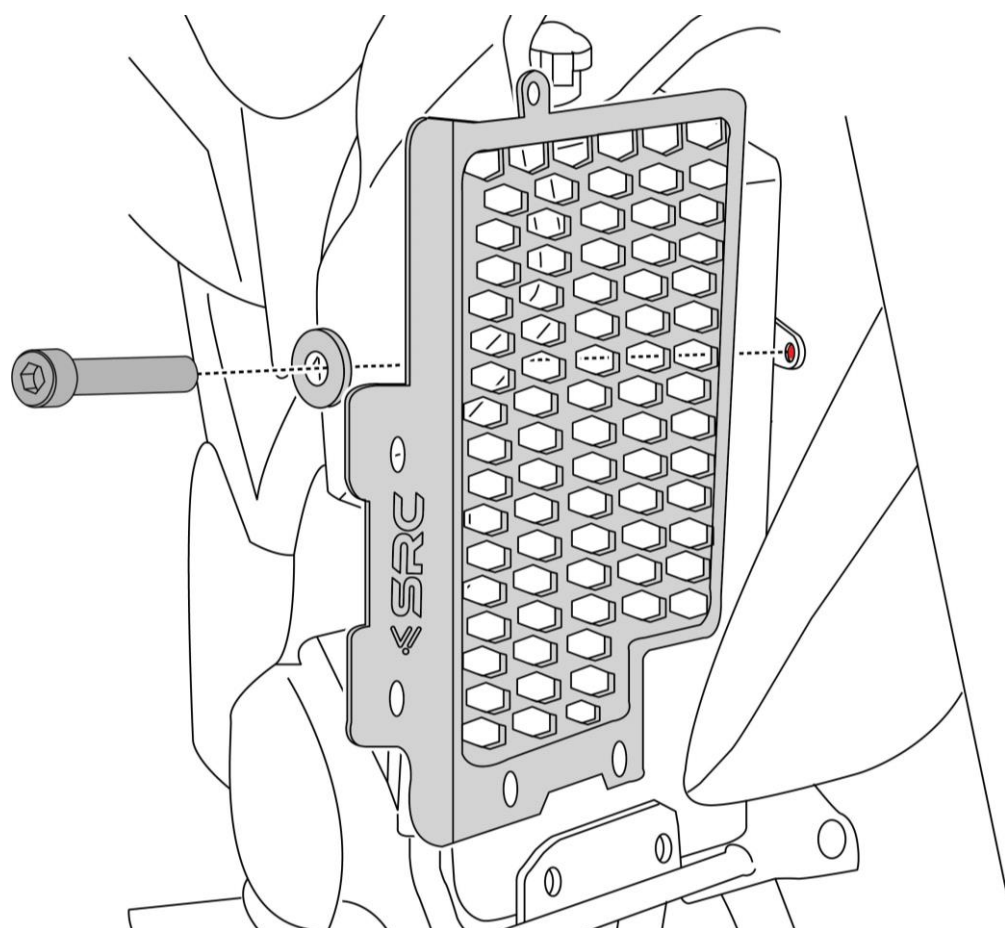
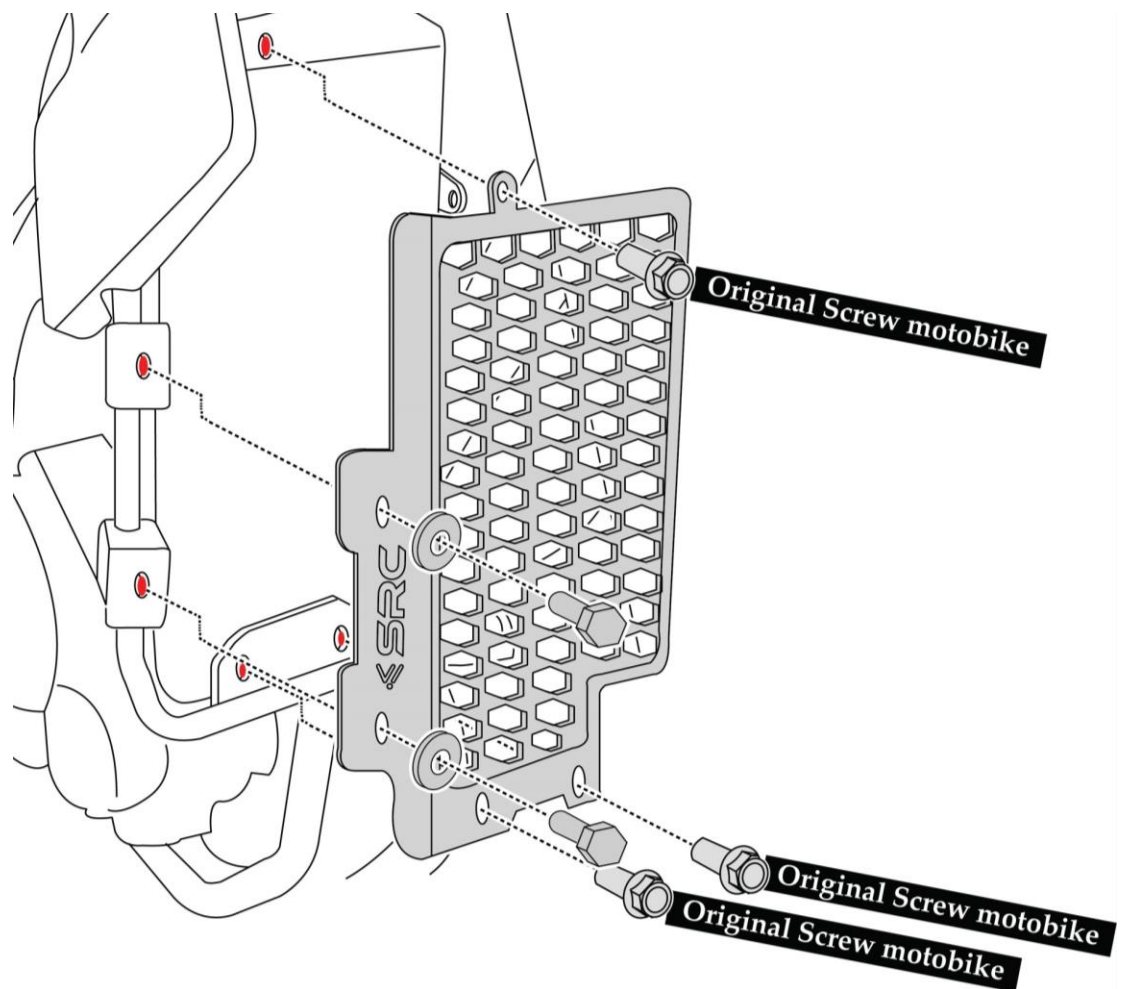
The Original Radiator Guard in motorbike is shown in the drawing.

Step 1:
Remove the Original Mounting bolts which holds the Radiator Guard. is shown in the drawing.



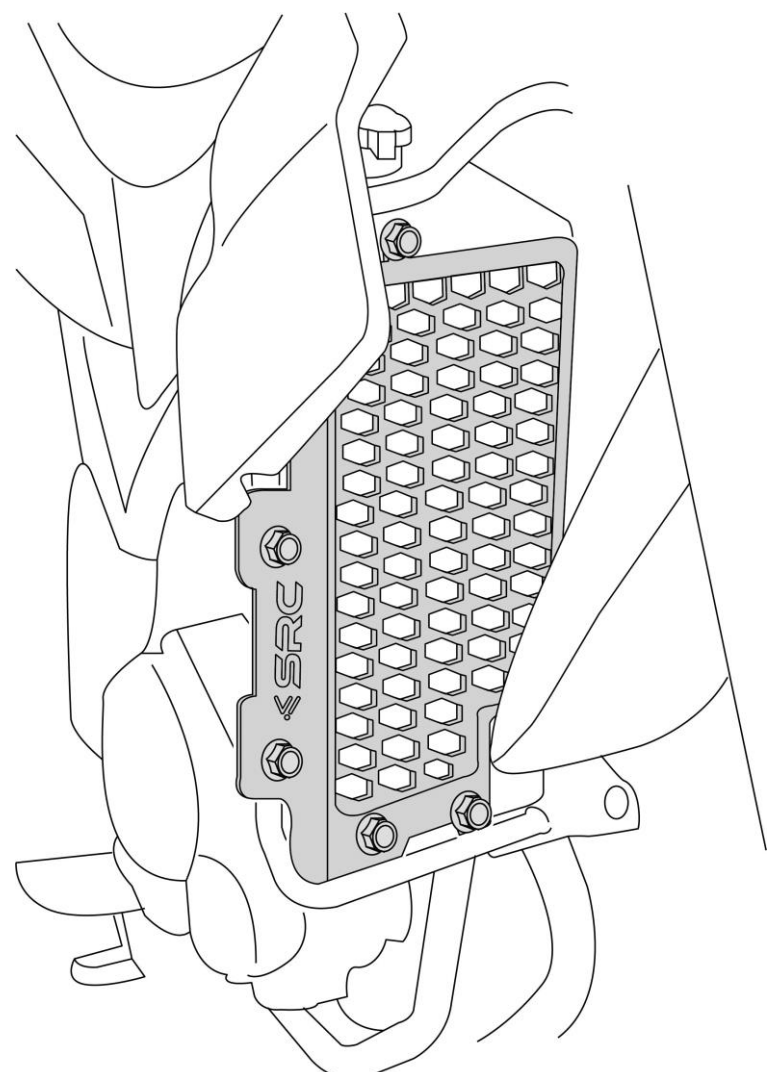
Step 2:

Orient and Align the Radiator Guard RH (1) and Slip-in Washer M6 (5) – 2 off and Screw bolt M6 x 12 (4) – 2 off, and Slip-in the Original Screw motorbike -3 off,(as shown) and through the Mounting point as shown in Red colour.



Step 3:

Slip-in Washer M6 (5) – 1 off and Screw M6 x 10 (2) – 1 off, and Slip-in the Radiator in motorbike (as shown) and through the Mounting point as shown in Red colour.



The Final Mounted condition of the SRC Radiator Guard as shown in the drawing.

General Instructions

1. We request you to pay attention to the Mounting Instructions in this document and follow the step-by-step procedures.
2. This Mounting Instruction manual is a “Do It Yourself” (DIY) fitment manual of the Accessory part to the Vehicle. We have prepared this based on our experience and knowledge, related to the Vehicle, Part and its functional aspects.
3. SRC cannot guarantee the interchangeability of the parts to any other manufacturer’s accessory part. It is advised to the User, to inspect and ensure the original state of all other Vehicle parts.
4. We request you to bear in mind, that the Installed part can change the driving behaviour and/or the stability during driving or any other dynamic conditions.
5. If you have the appropriate tools and another person to assist you in the mounting, it will help.
6. After Completion of the Mounting and before taking on a First ride, Ensure and Check all functions of the Vehicle. It is always advised to check loosening of the fasteners after the first 50 kilo meters of ride and at regular intervals.
7. We are showing here the Scope of Supply/ Installation/Parts list & BOM from SRC
8. To the maximum extent possible, our design use the current Mounting/Fitment of the Original Equipment, so that Installation of these accessories will not affect the Payload or Function of the Vehicle or the Part on which it is mounted to protect it
9. If any additional modifications are to be done, prior to the fitment of the accessories, it will be explicitly specified in the instruction sheets.