

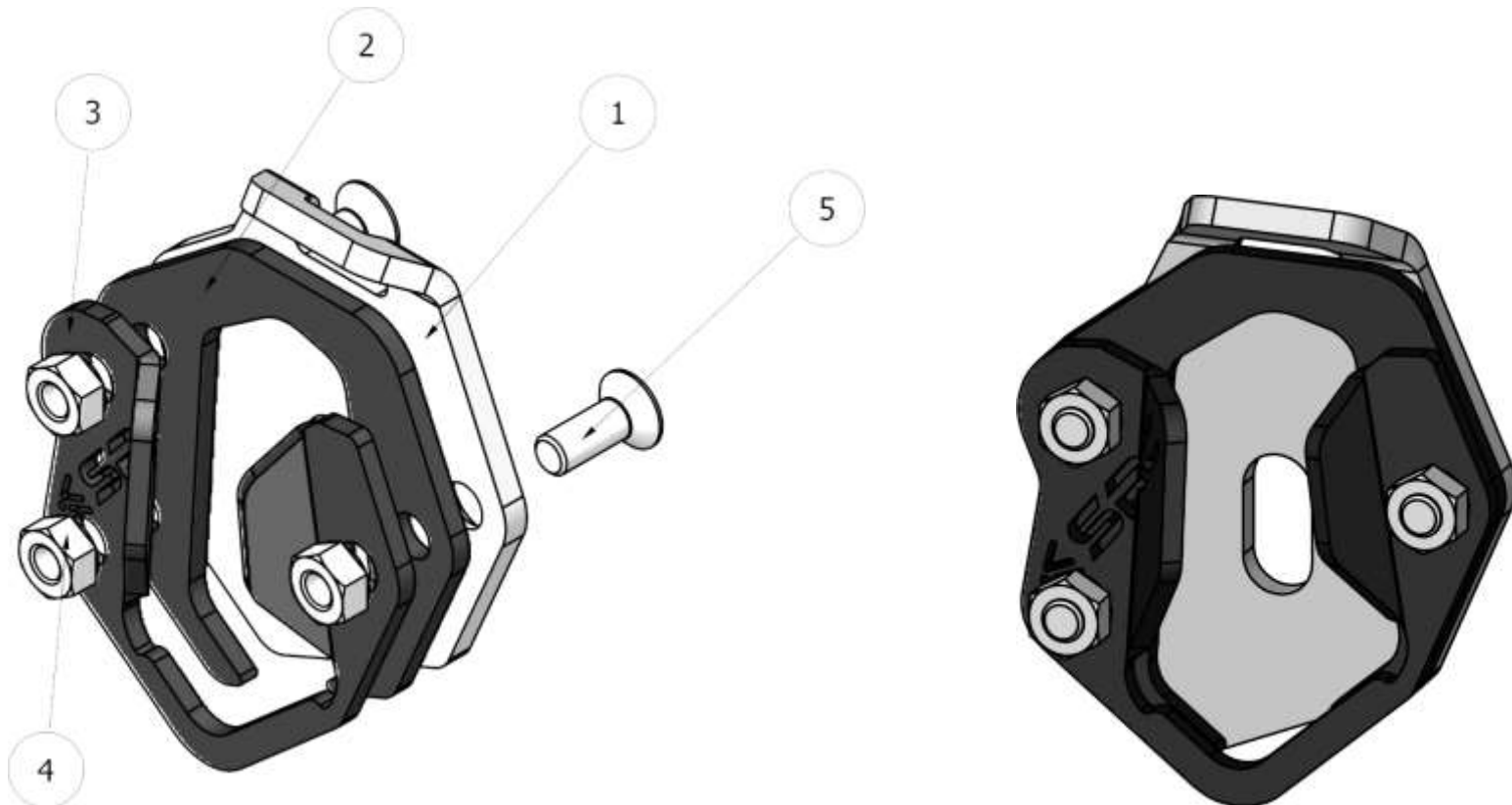
Scope of Supply/Bill of Material & Mounting Drawings

Part Number: T-T800-14-01-SL

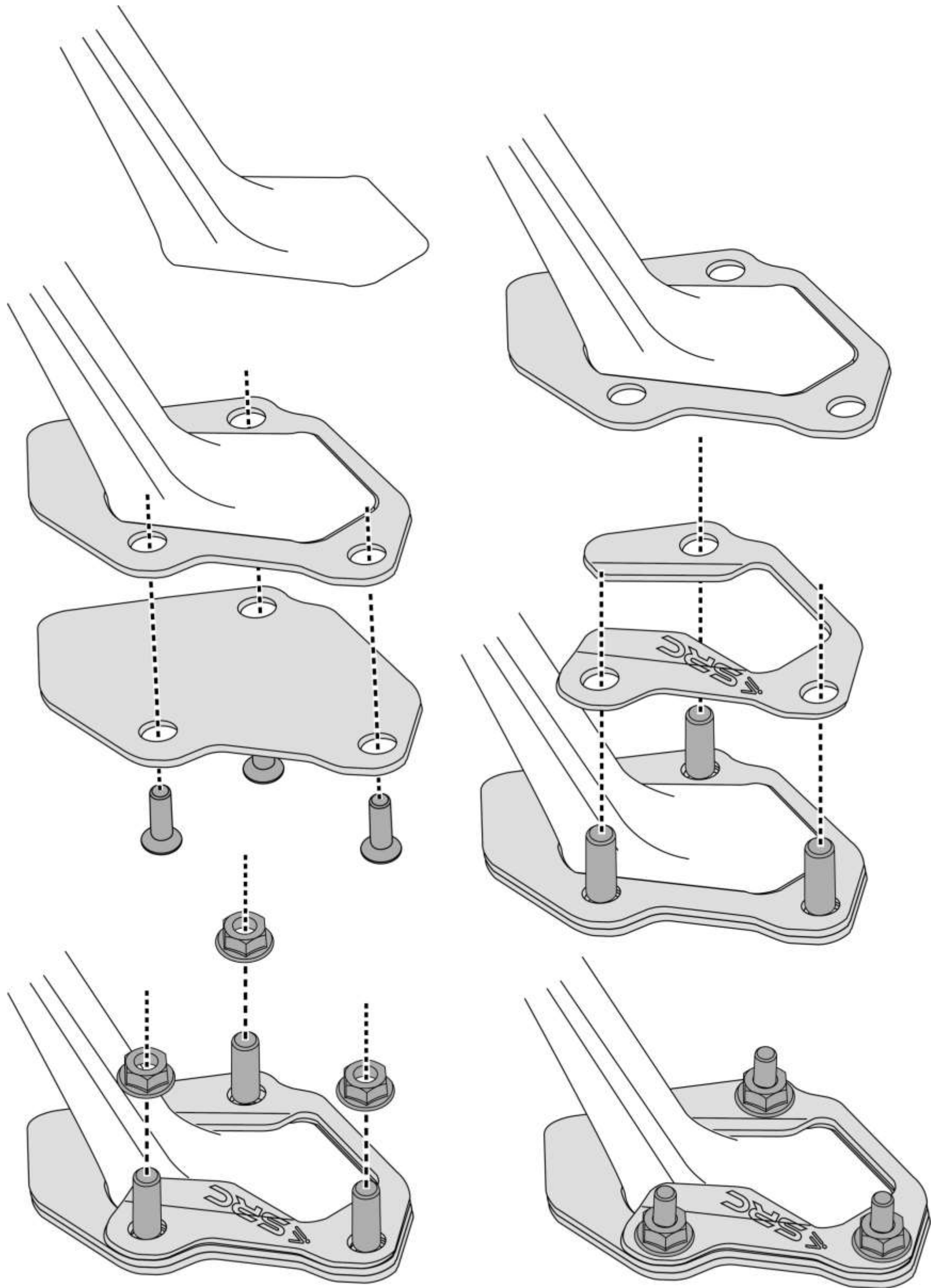
Part Description: Large Side Stand – TRIUMPH Tiger800

Installation / Parts List / Bill of Material for Mounting

NO.	Description	Quantity	Torque * (N-M)	Remarks **	Check List
1	Lower Plate	1			
2	Middle Plate	1			
3	Upper Plate	1			
4	Nut M6	3	10 - 12	Use Liquid Thread Locker	
5	Countersink Screw M6 X 16	3			
SRC Design uses Metric System of Measurement and all dimensions in Millimeters					
* Recommended to use the Torque specified in the table					
** Denotes Usage of Liquid Thread Locker in specified Locations					

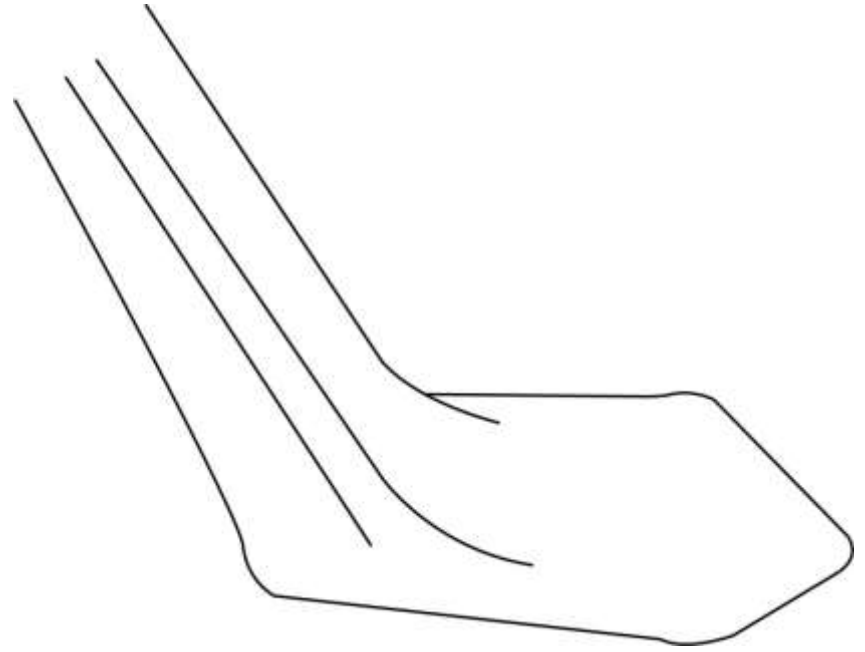


MOUNTING DRAWINGS



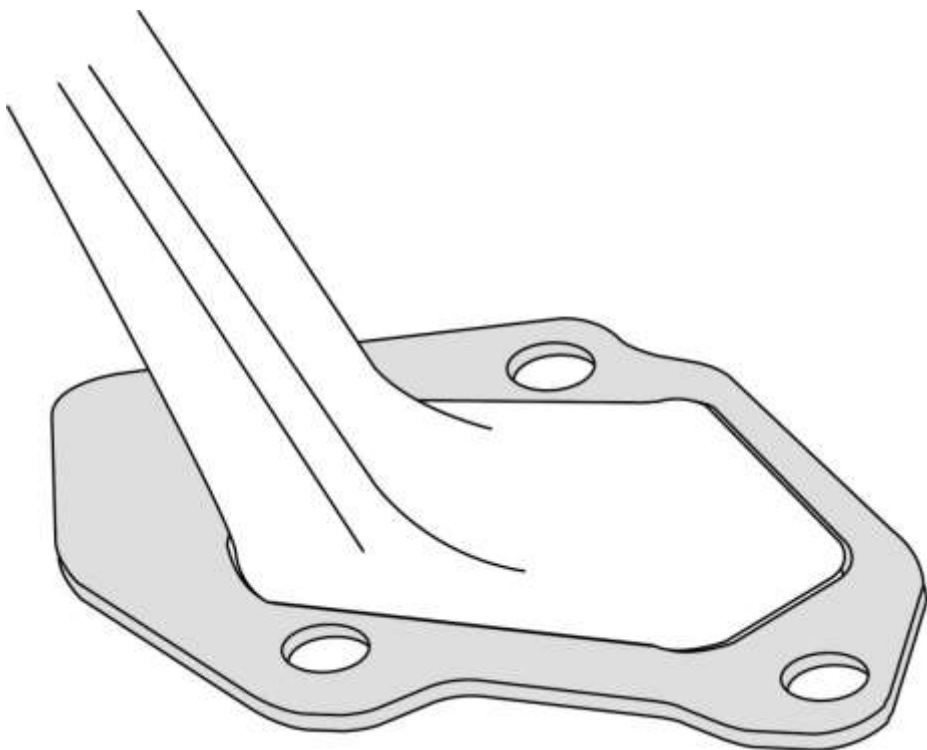
Step1:

The Motorbike has to be held in its Center Stand and Side Stand has be let free to have access to the Duck Foot (Large Side Stand Base) for fitment.



Step 2:

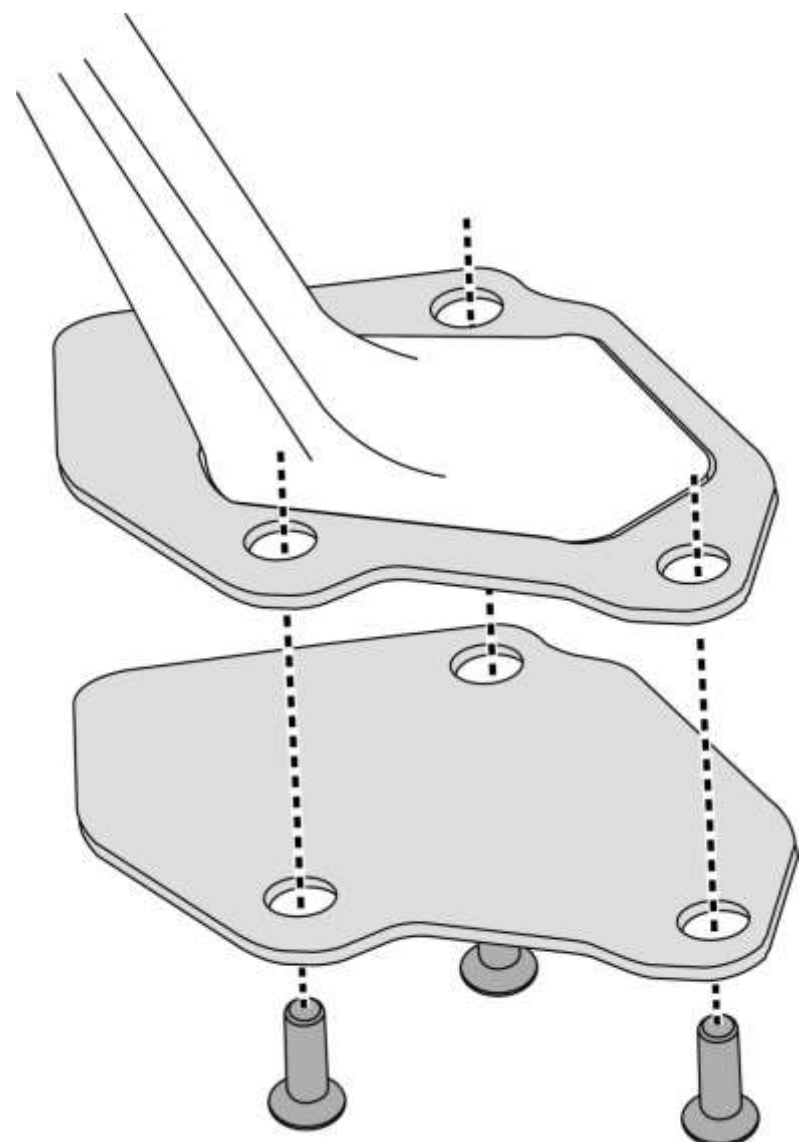
Orient and align the Middle Plate (2), as shown, with its inner walls closely hugging the outer peripheral walls of the Side Stand.

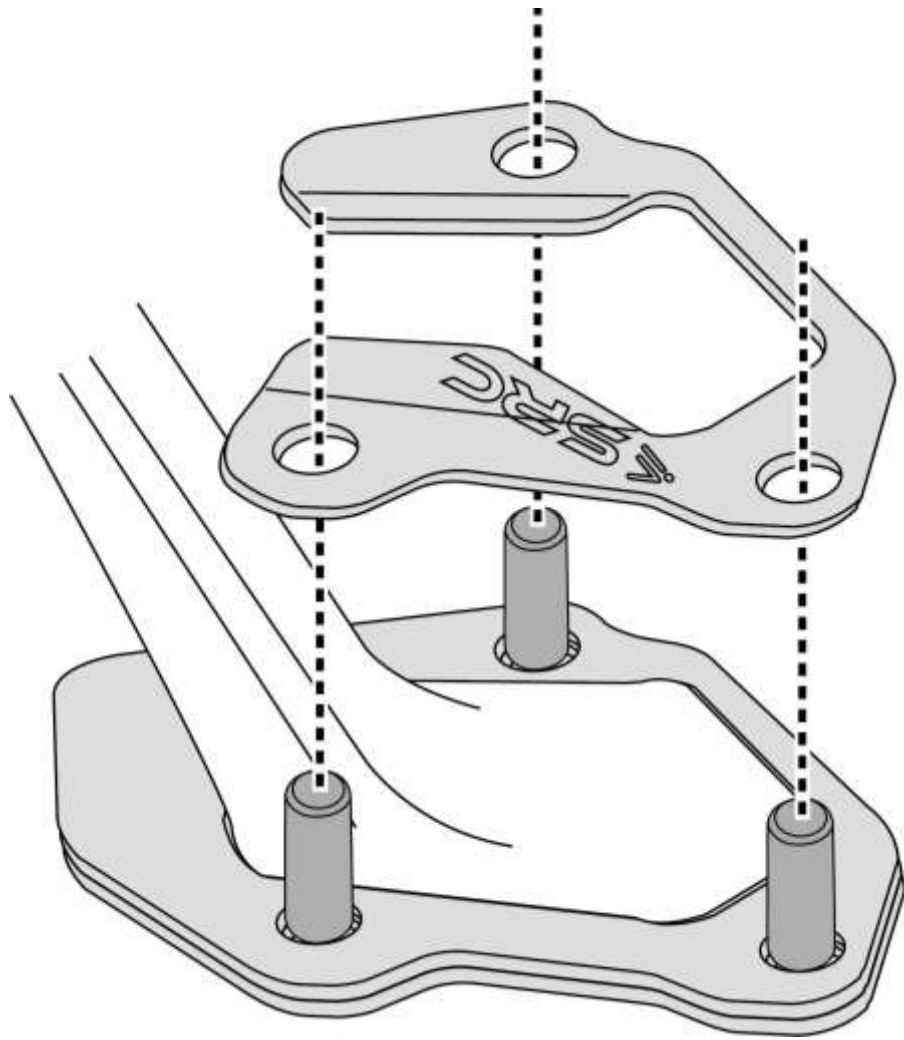


Step 3:

Stack-up Lower Plate (1), as shown, and in-line with the mounting holes of the Middle Plate.

Insert the Countersunk Screw M6 x 16 (5) – 3 off from the bottom side of the Lower Plate (1), as shown.





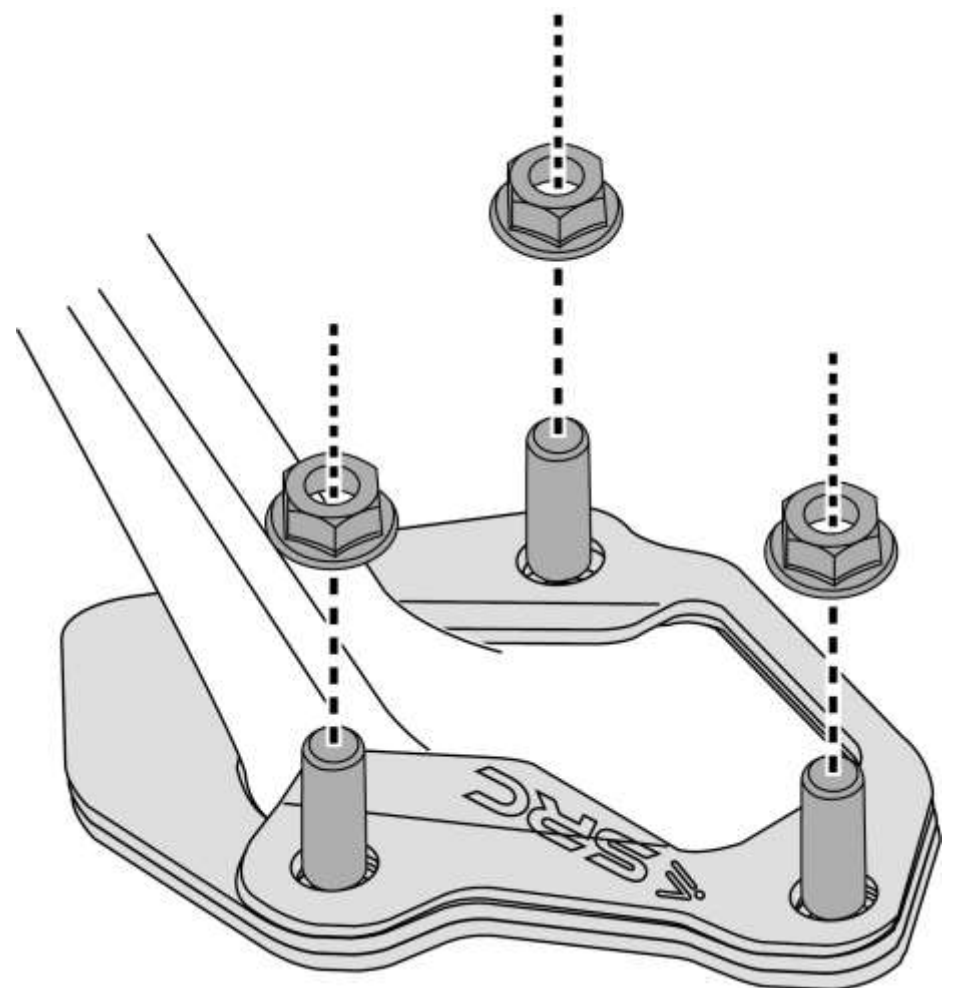
Step 4:

Stack the Middle Plate (2) and Lower Plate (1), with the Counter sunk shank of the 3 off screws flushing with the countersunk bore of the Lower Plate.

Insert the Upper Plate (3), through the cut-out and clearing the gusset in the Side Stand

Step 5:

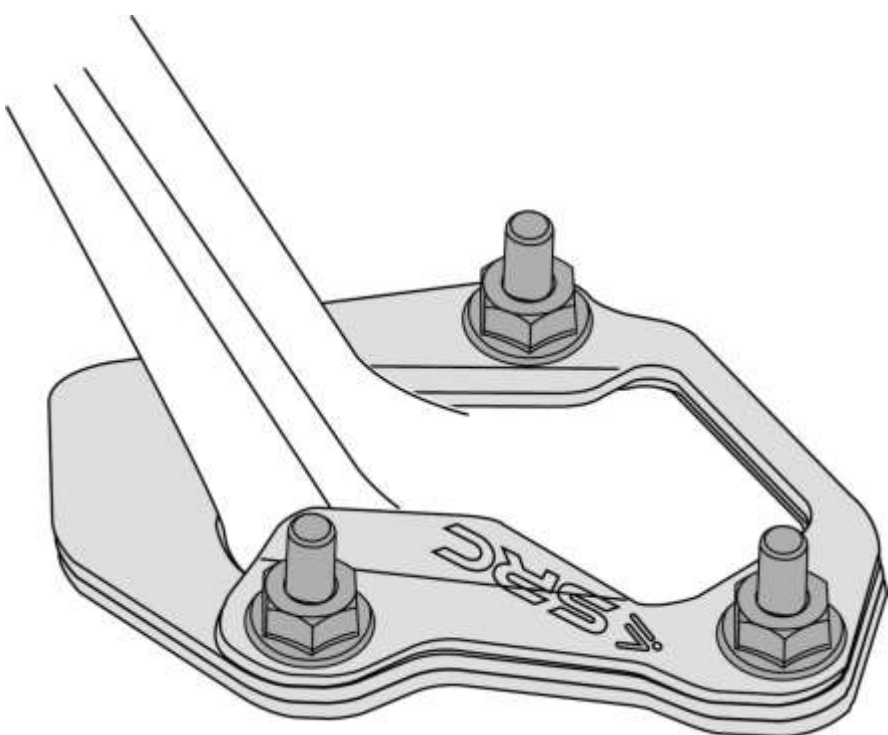
Slip-in the Nut M6 (4) – 3 off from the top and secure the threads in the 3 off Countersunk screws, as shown.



Step 6:

Check for any slackness of the plate cluster around the periphery of the Side stand and tighten the Nuts to torque, as per specification in the BOM table.

The final mounted condition of the Large Side Stand will be as shown in the drawing above.





General Instructions

1. We request you to pay attention to the Mounting Instructions in this document and follow the step-by-step procedures.
2. This Mounting Instruction manual is a “Do It Yourself” (DIY) fitment manual of the Accessory part to the Vehicle. We have prepared this based on our experience and knowledge, related to the Vehicle, Part and its functional aspects.
3. SRC cannot guarantee the interchangeability of the parts to any other manufacturer’s accessory part. It is advised to the User, to inspect and ensure the original state of all other Vehicle parts.
4. We request you to bear in mind, that the Installed part can change the driving behaviour and/or the stability during driving or any other dynamic conditions.
5. If you have the appropriate tools and another person to assist you in the mounting, it will help.
6. After Completion of the Mounting and before taking on a First ride, Ensure and Check all functions of the Vehicle. It is always advised to check loosening of the fasteners after the first 50 kilo meters of ride and at regular intervals.
7. We are showing here the Scope of Supply/ Installation/Parts list & BOM from SRC
8. To the maximum extent possible, our design use the current Mounting/Fitment of the Original Equipment, so that Installation of these accessories will not affect the Payload or Function of the Vehicle or the Part on which it is mounted to protect it
9. If any additional modifications are to be done, prior to the fitment of the accessories, it will be explicitly specified in the instruction sheets.