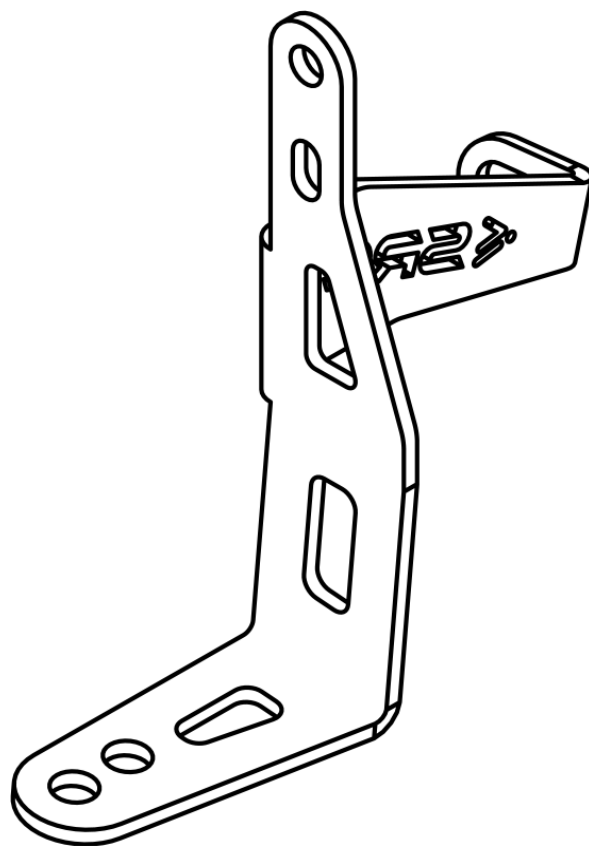


Scope of Supply/Bill of Material & Mounting Drawings

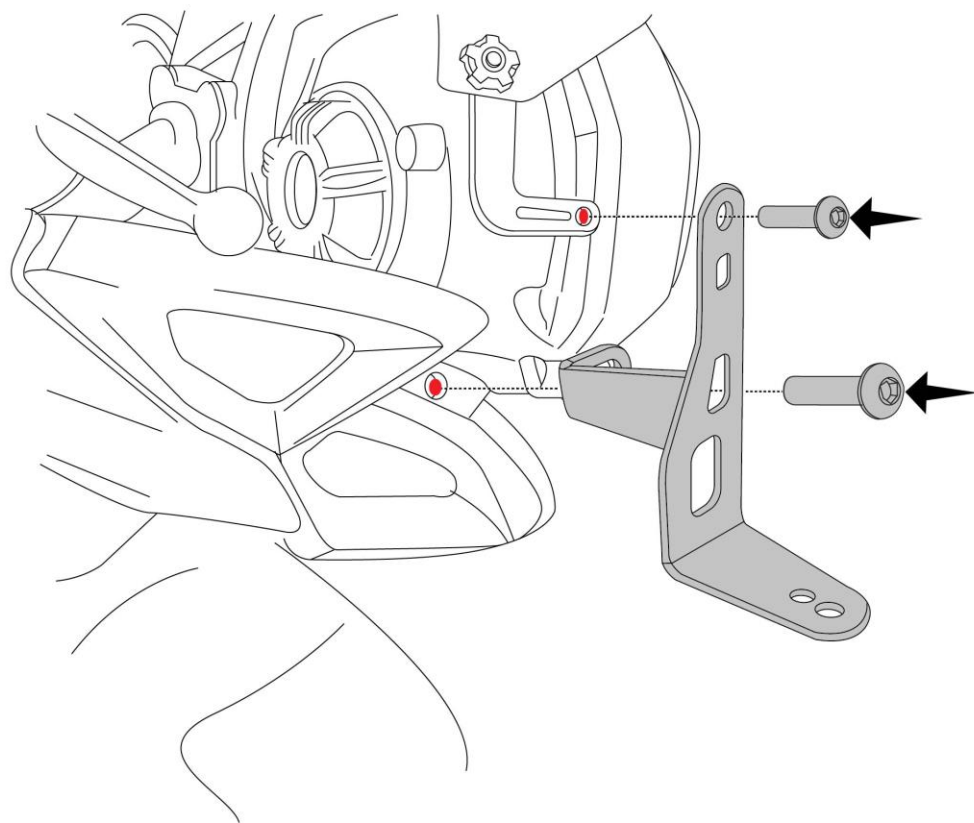
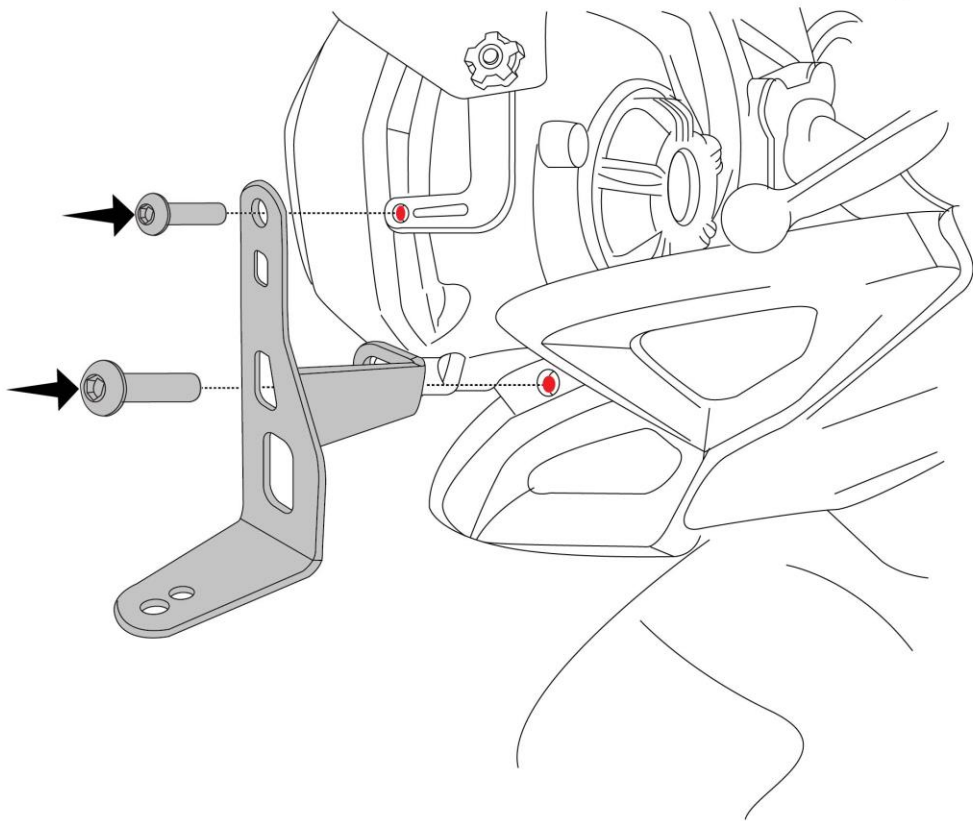
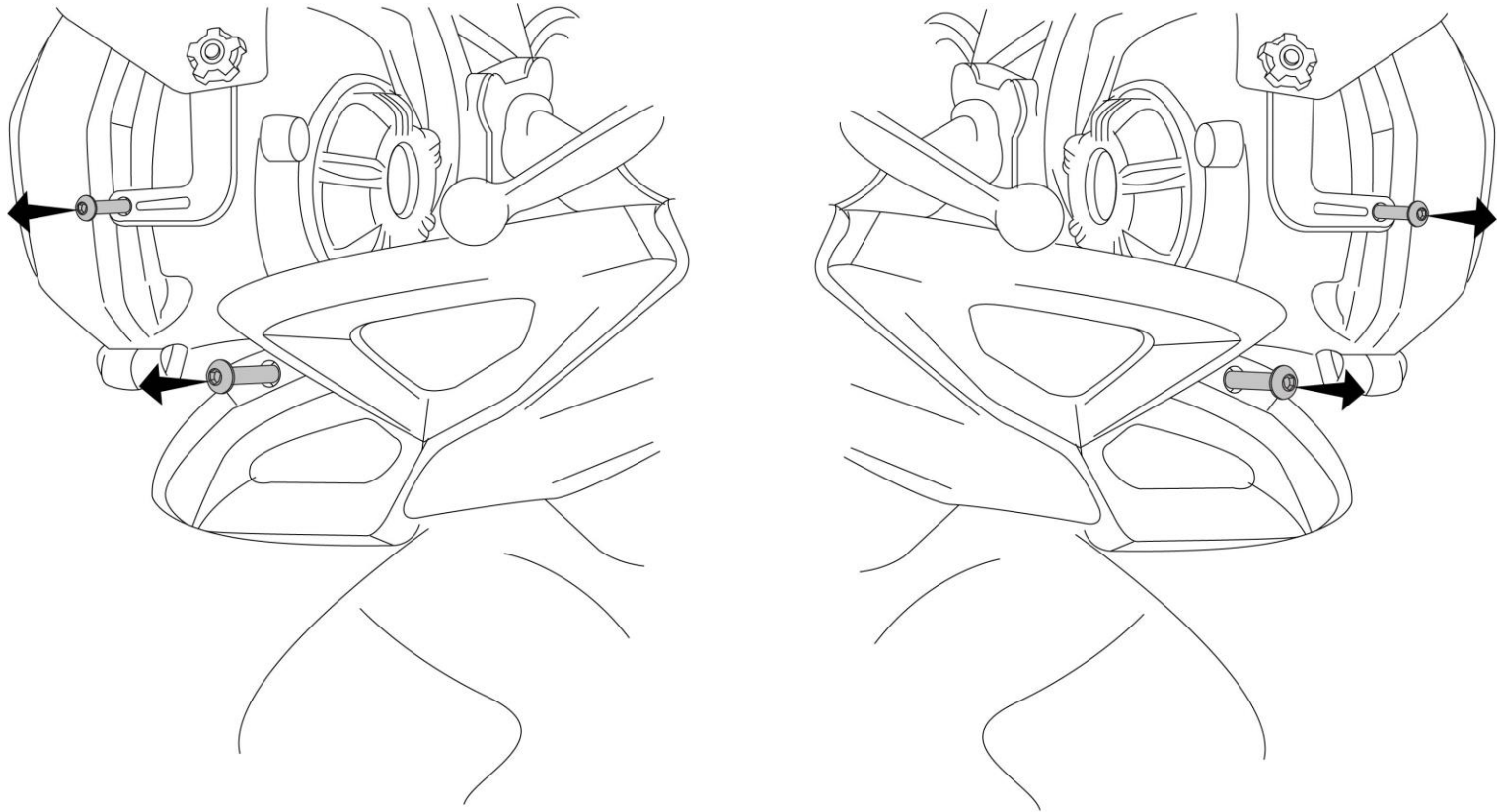
Part Number: T-T800-10-01-SL / T-T800-10-2

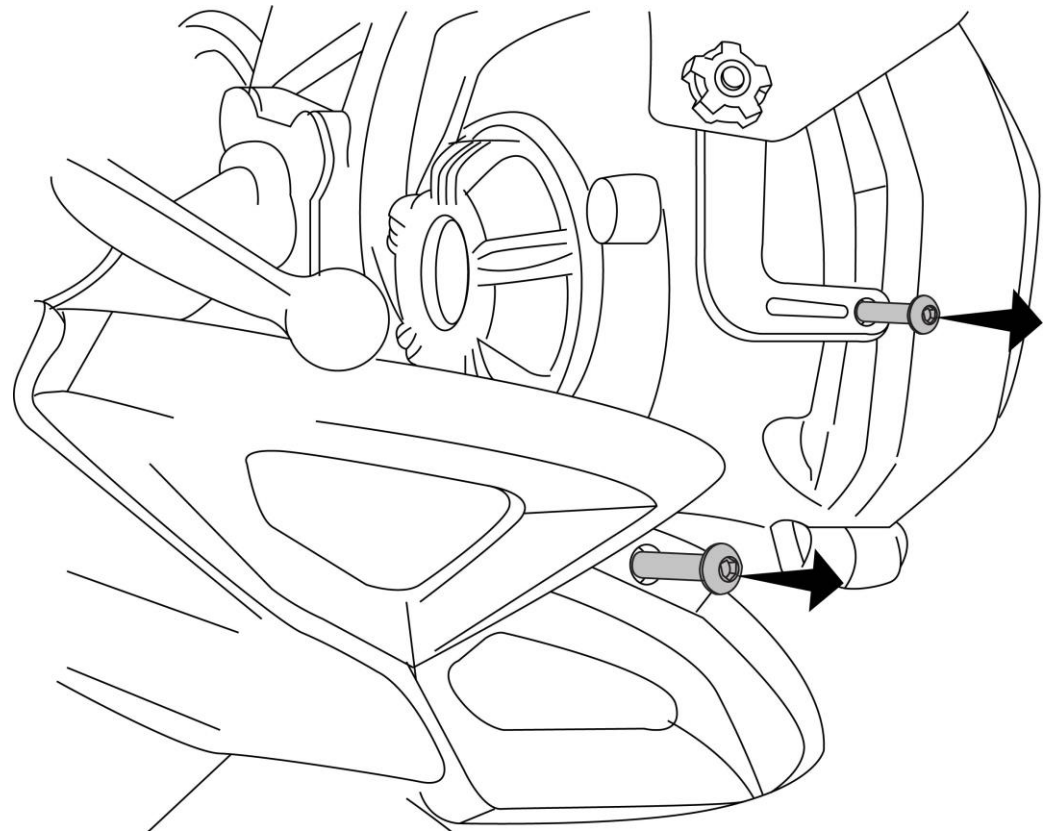
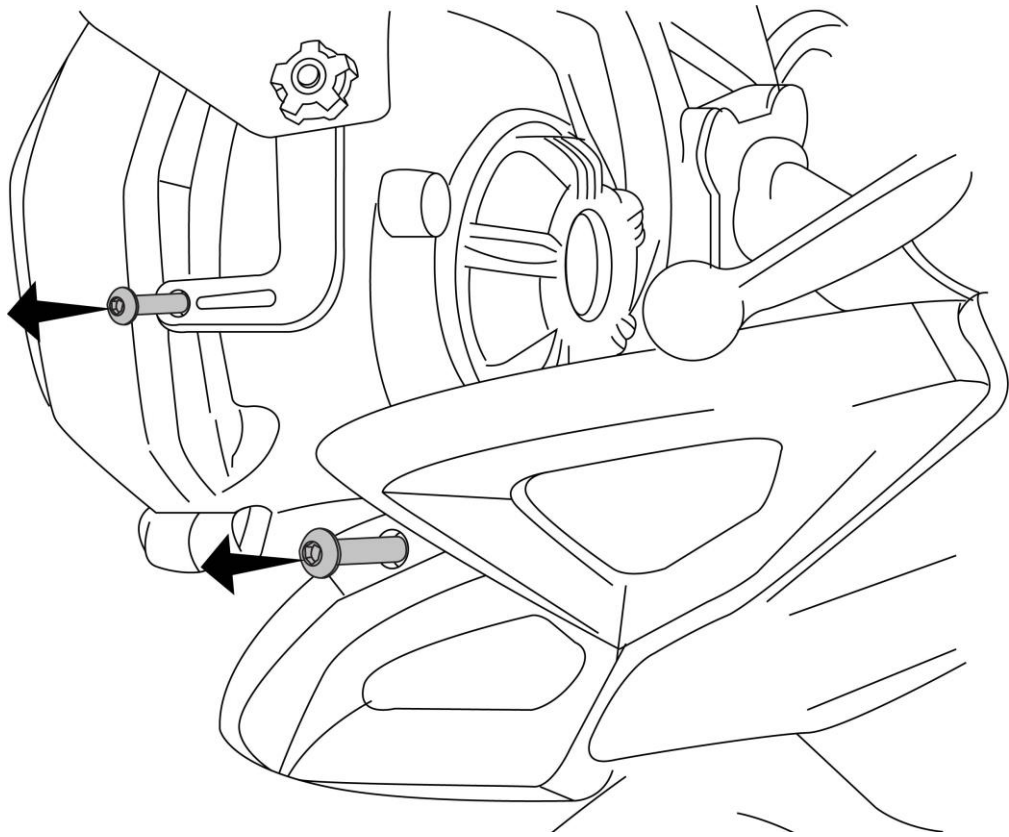
Part Description: Lighting holder / Triumph Tiger800

Installation / Parts List / Bill of Material for Mounting



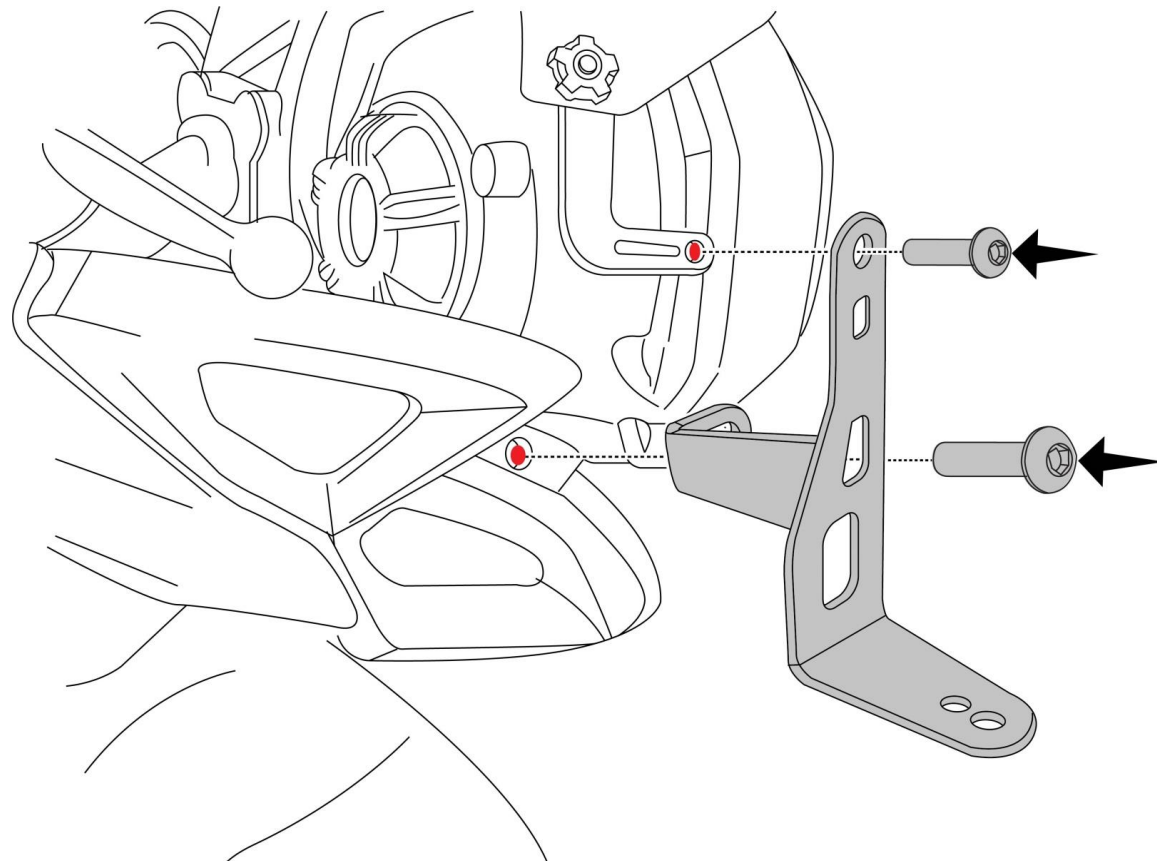
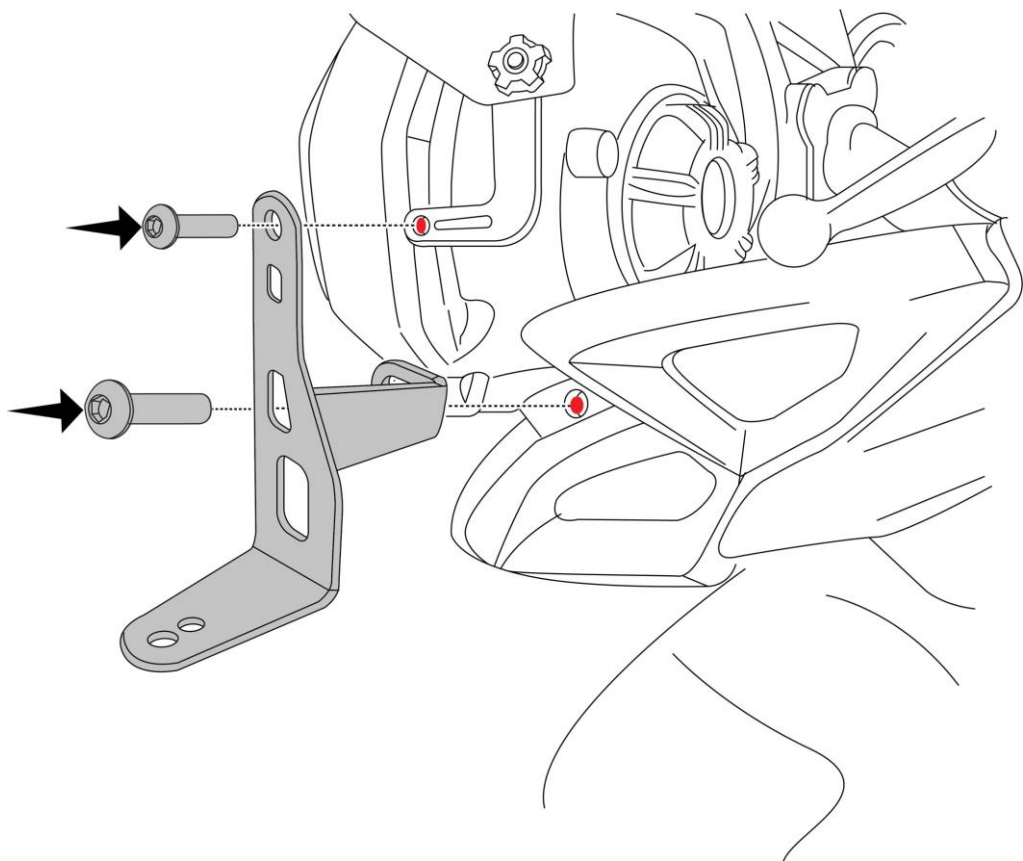
MOUNTING DRAWINGS





Step 1:

Unscrew the 2 off, Original Screw as shown in the drawing, in-line with the Mounting hole in the Motorbike.



Step 2:

Orient and Align the Lighting holder, as shown.

Slip-in Original Screw – 2 off, as shown, and secure the threads in the mounting hole, shown in Red colour.

General Instructions

- 1. We request you to pay attention to the Mounting Instructions in this document and follow the step-by-step procedures.**
- 2. This Mounting Instruction manual is a “Do It Yourself” (DIY) fitment manual of the Accessory part to the Vehicle. We have prepared this based on our experience and knowledge, related to the Vehicle, Part and its functional aspects.**
- 3. SRC cannot guarantee the interchangeability of the parts to any other manufacturer’s accessory part. It is advised to the User, to inspect and ensure the original state of all other Vehicle parts.**
- 4. We request you to bear in mind, that the Installed part can change the driving behaviour and/or the stability during driving or any other dynamic conditions.**
- 5. If you have the appropriate tools and another person to assist you in the mounting, it will help.**
- 6. After Completion of the Mounting and before taking on a First ride, Ensure and Check all functions of the Vehicle. It is always advised to check loosening of the fasteners after the first 50 kilo meters of ride and at regular intervals.**
- 7. We are showing here the Scope of Supply/ Installation/Parts list & BOM from SRC**
- 8. To the maximum extent possible, our design use the current Mounting/Fitment of the Original Equipment, so that Installation of these accessories will not affect the Payload or Function of the Vehicle or the Part on which it is mounted to protect it**
- 9. If any additional modifications are to be done, prior to the fitment of the accessories, it will be explicitly specified in the instruction sheets.**