

Scope of Supply/Bill of Material & Mounting Drawings

Part Number: S-VS1050XT-04-01-AL / S-VS1050XT-04-02-AL

Part Description: Top Rack – V-STROM1050 XT

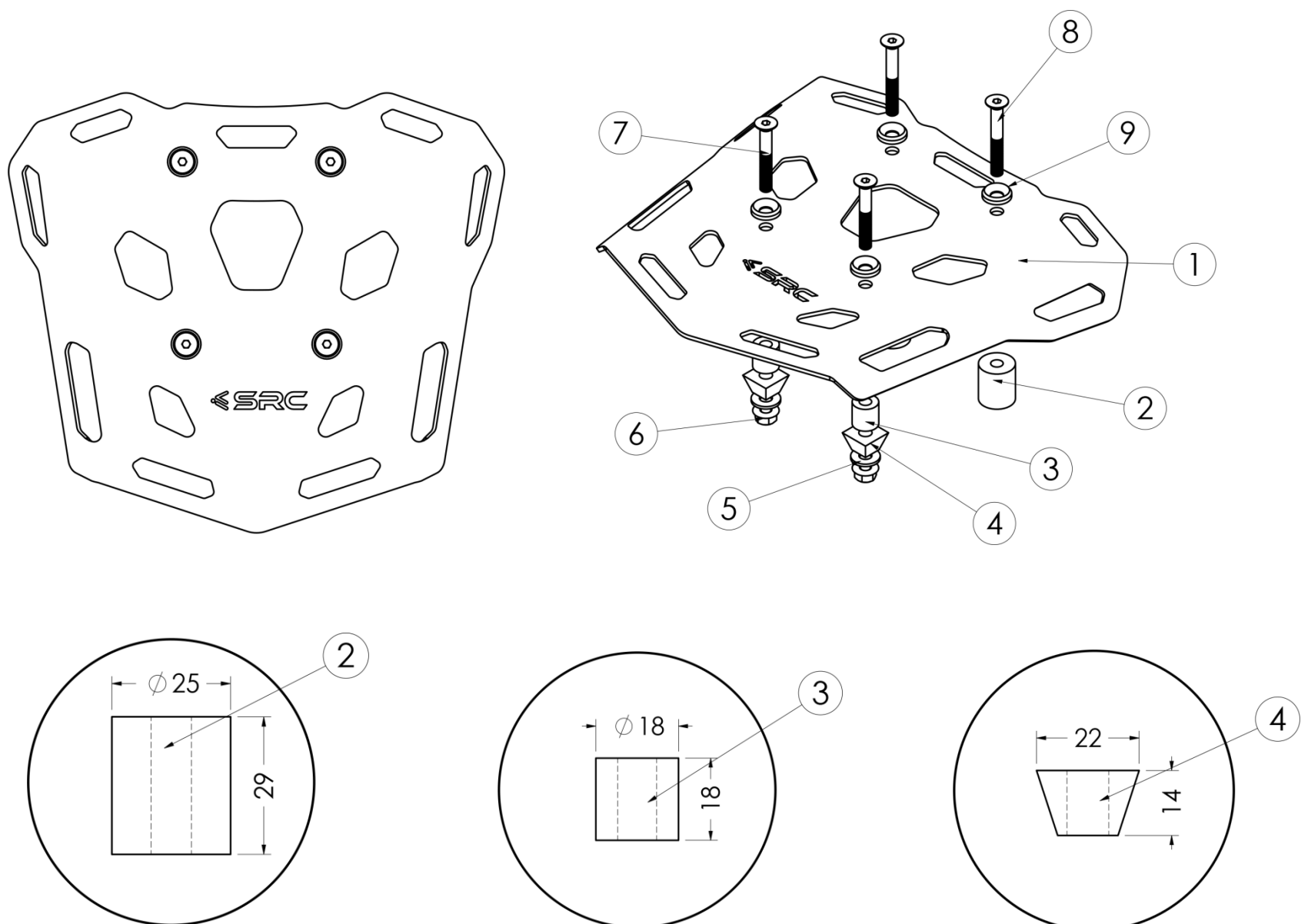
Installation / Parts List / Bill of Material for Mounting

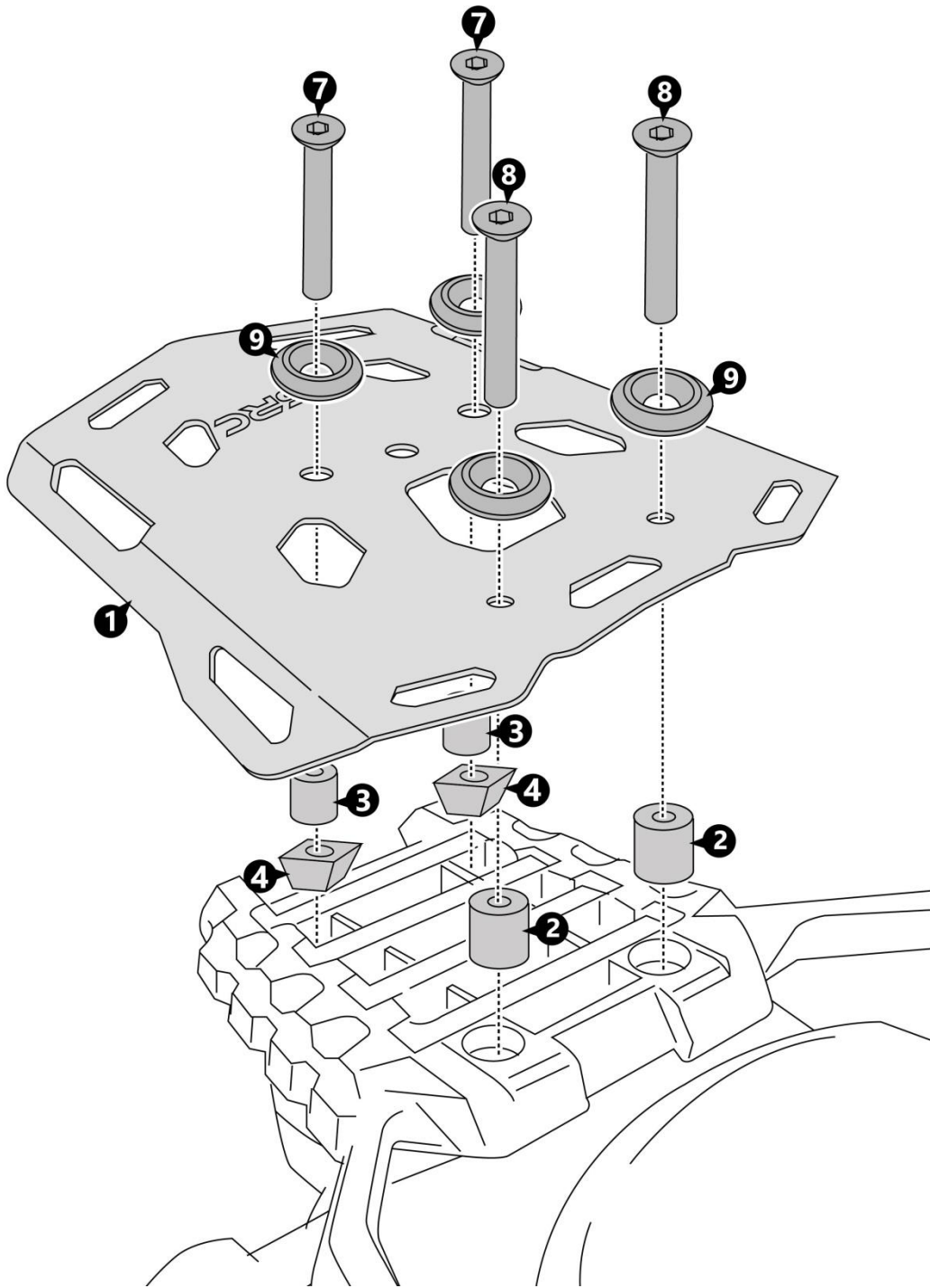
NO.	Description	Quantity	Torque * (N-M)	Remarks **
1	Top Rack	1		
2	Bush AL M8 25x29	2		
3	Bush AL M8 18x18	2		
4	Spacer Delin	2		
5	washer M8	2		
6	Nut M8	2		
7	Socket Conutersunk Head Screw M8x55	2	22 - 24	Use Liquid Thread Locker
8	Socket Conutersunk Head Screw M8x60	2	22 - 24	Use Liquid Thread Locker
9	Taper Ring M8	4		

SRC Design uses Metric System of Measurement and all dimensions in Millimeters

* Recommended to use the Torque specified in the table

** Denotes Usage of Liquid Thread Locker in specified Locations





Step 1:

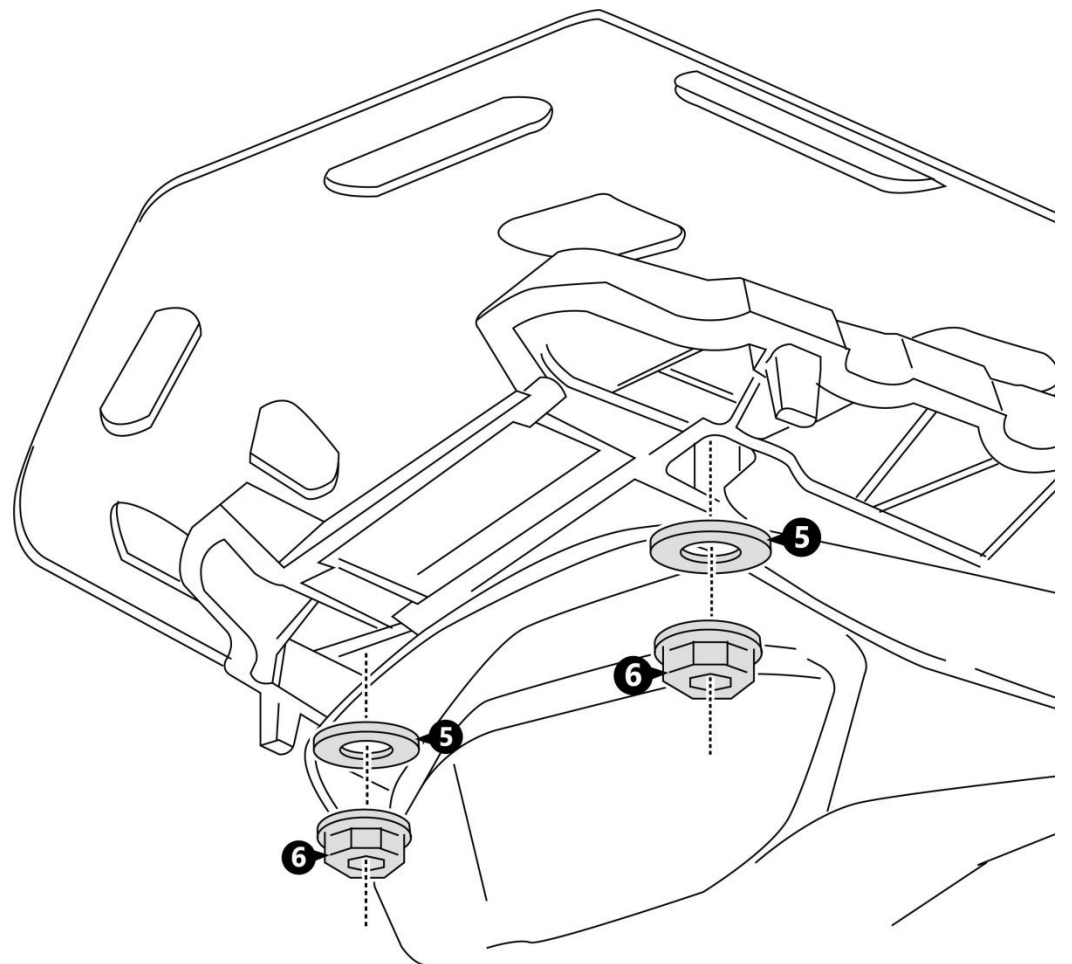
Orient, Mount and Fit the Top Rack (1) to the Motorbike Chassis frame (as show)

Slip-in the Spacer delin (4)-2 off, Bush 18x18 (3)-2 off, at the end rack in motorbike. and slip-in Bush 25x29(2)-2 off, as shown .

Orient the Top rack (1) and slip-in the taper ring (9) - 4 off, screw M8x55 (7) – 2 off, at the end top rack, screw M8x60 (8) – 2 off,

Step 2:

Slip-in the washer M8 (5) – 2 off, nuts M8 (6) – 2 off, and secure the threads.



General Instructions

- 1. We request you to pay attention to the Mounting Instructions in this document and follow the step-by-step procedures.**
- 2. This Mounting Instruction manual is a “Do It Yourself” (DIY) fitment manual of the Accessory part to the Vehicle. We have prepared this based on our experience and knowledge, related to the Vehicle, Part and its functional aspects.**
- 3. SRC cannot guarantee the interchangeability of the parts to any other manufacturer’s accessory part. It is advised to the User, to inspect and ensure the original state of all other Vehicle parts.**
- 4. We request you to bear in mind, that the Installed part can change the driving behaviour and/or the stability during driving or any other dynamic conditions.**
- 5. If you have the appropriate tools and another person to assist you in the mounting, it will help.**
- 6. After Completion of the Mounting and before taking on a First ride, Ensure and Check all functions of the Vehicle. It is always advised to check loosening of the fasteners after the first 50 kilo meters of ride and at regular intervals.**
- 7. We are showing here the Scope of Supply/ Installation/Parts list & BOM from SRC**
- 8. To the maximum extent possible, our design use the current Mounting/Fitment of the Original Equipment, so that Installation of these accessories will not affect the Payload or Function of the Vehicle or the Part on which it is mounted to protect it**
- 9. If any additional modifications are to be done, prior to the fitment of the accessories, it will be explicitly specified in the instruction sheets.**