

Scope of Supply/Bill of Material & Mounting Drawings

Part Number: S-VS1050XT-02-01-SL / S-VS1050XT-02-02
 Part Description: Radiator Guard – SUZUKI V-STROM1050 XT
 Applicable to Finished colour versions of Black and Silver

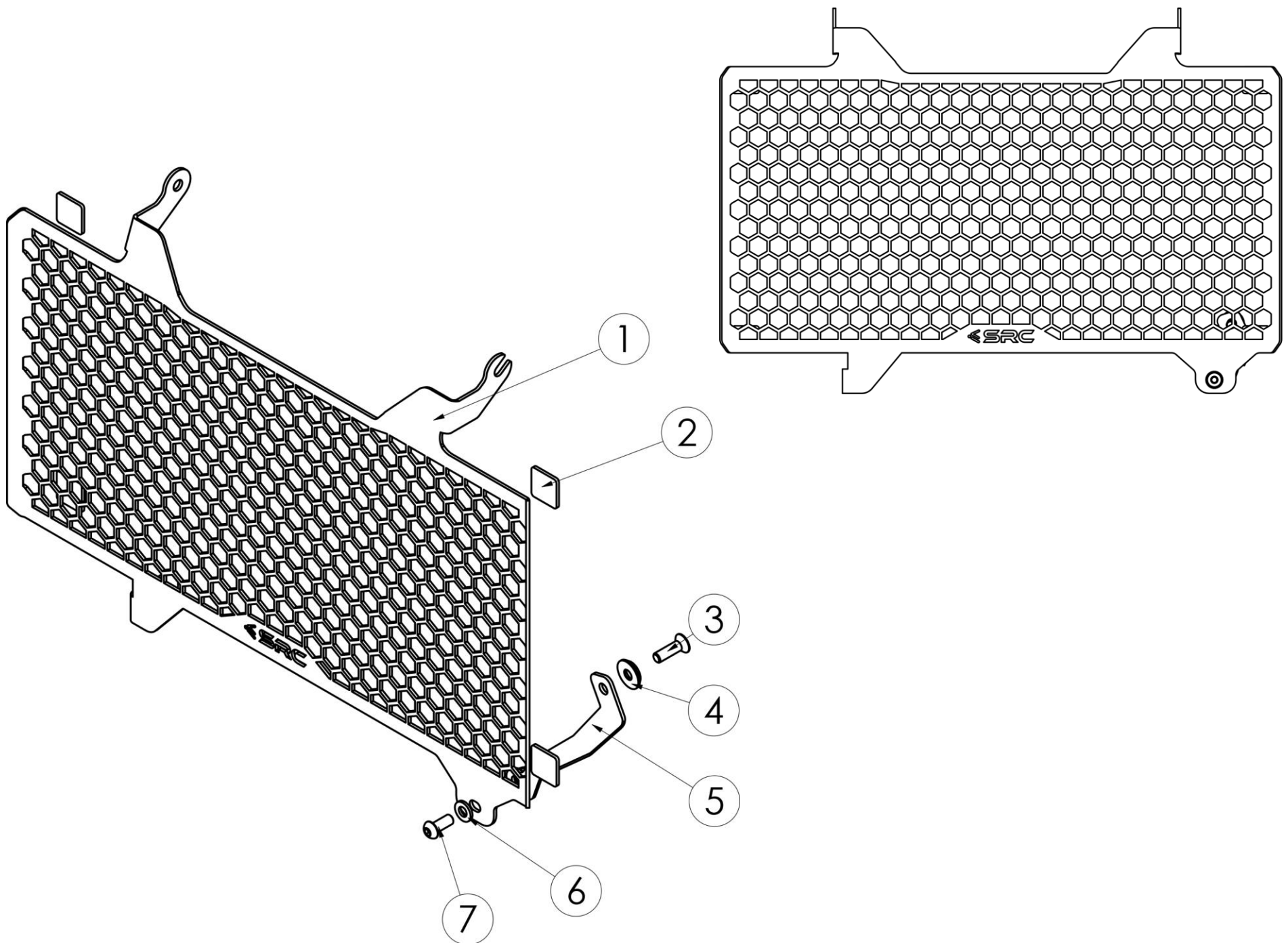
Installation / Parts List / Bill of Material for Mounting

| NO. | Description | Quantity | Torque * (N-M) | Remarks ** |
|-----|-------------------------------------|----------|----------------|--------------------------|
| 1 | Radiator Guard | 1 | | |
| 2 | Rubber Tape | 4 | | |
| 3 | Socket Conutersunk Head Screw M6x20 | 1 | 9 - 10 | Use Liquid Thread Locker |
| 4 | Taper Ring M6 | 1 | | |
| 5 | Bracket | 1 | | |
| 6 | Washer M6 | 1 | | |
| 7 | Socket button Head Screw M6x15 | 1 | 9 - 10 | Use Liquid Thread Locker |

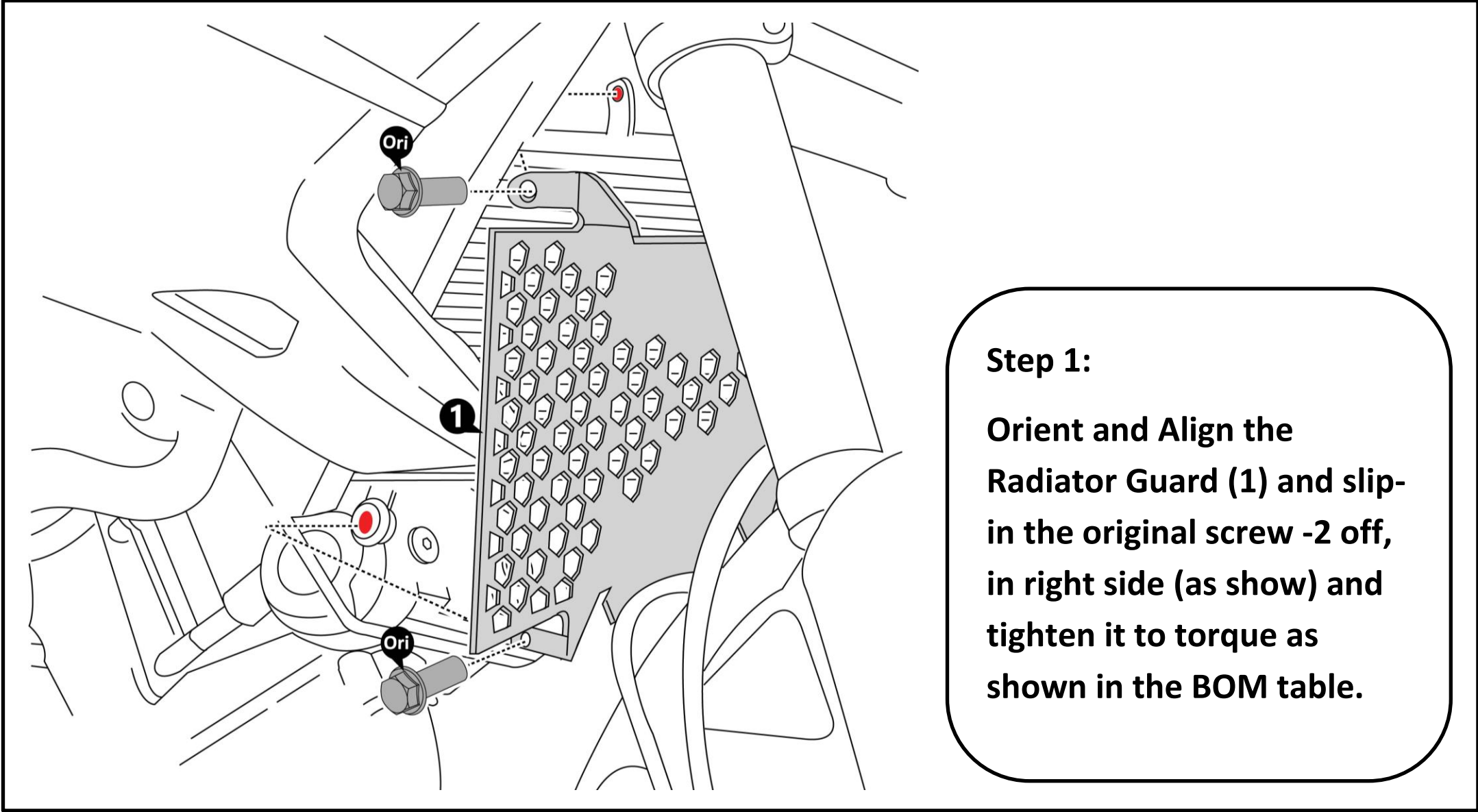
SRC Design uses Metric System of Measurement and all dimensions in Millimeters

* Recommended to use the Torque specified in the table

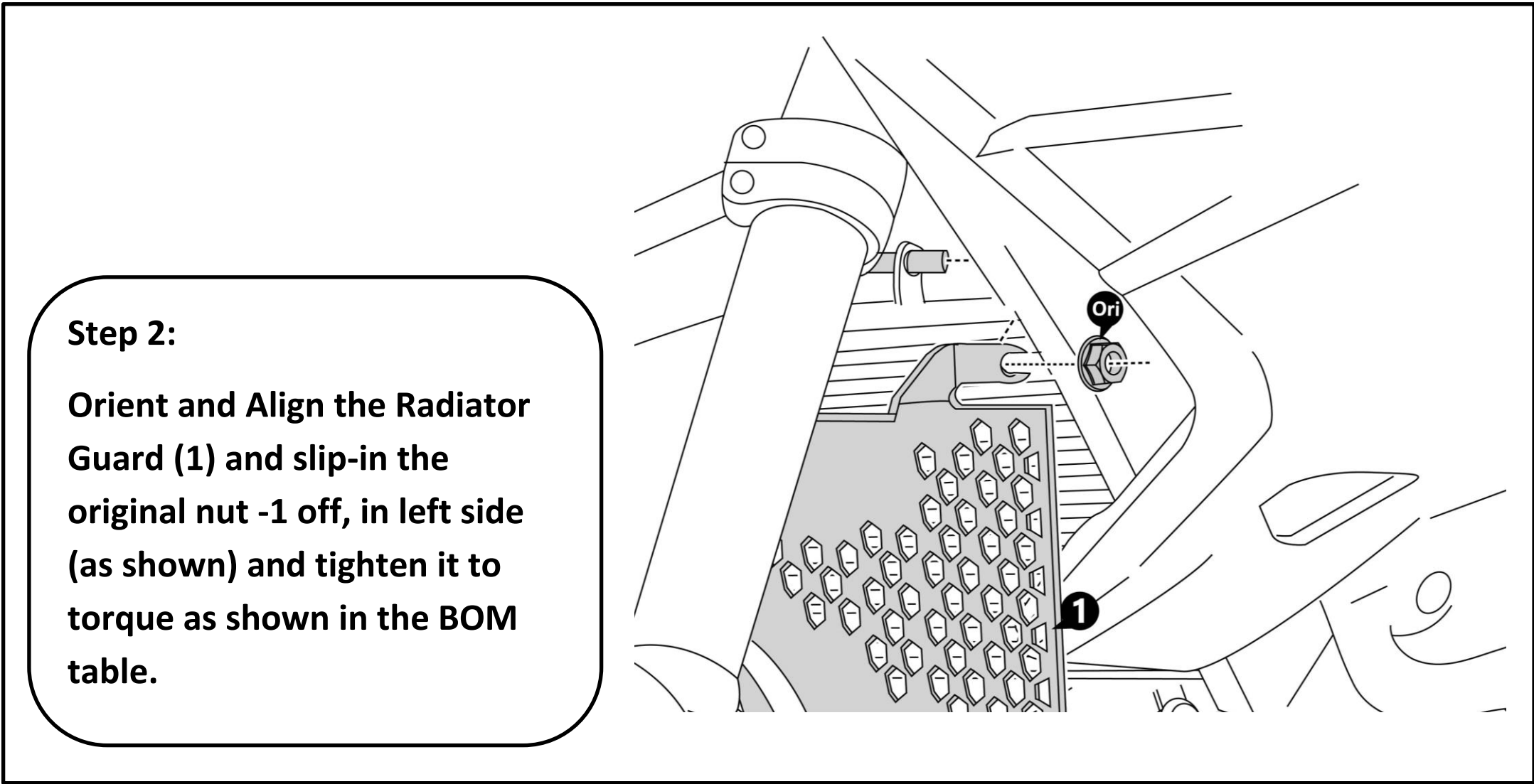
** Denotes Usage of Liquid Thread Locker in specified Locations



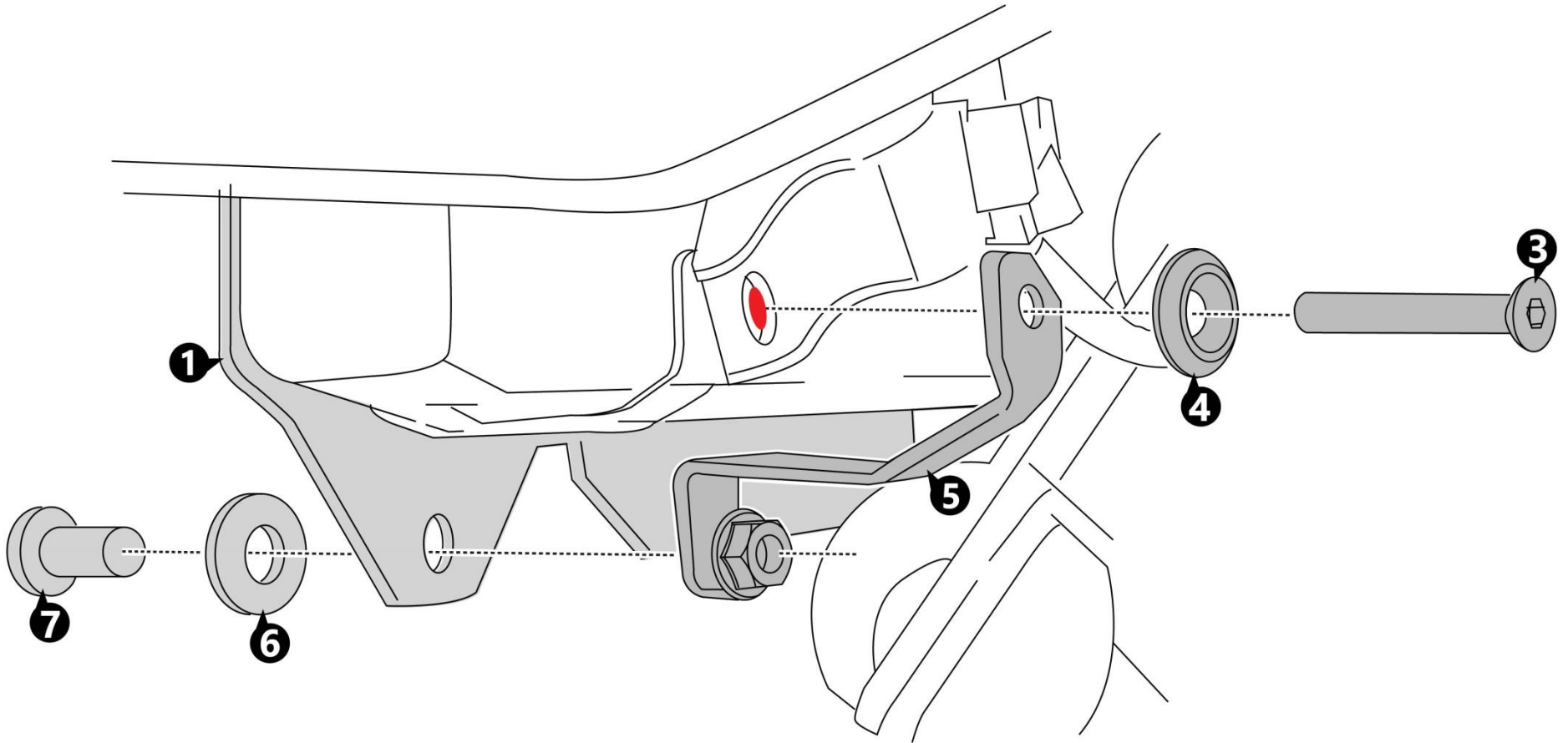
Mounting Instructions



Step 1:
Orient and Align the Radiator Guard (1) and slip-in the original screw -2 off, in right side (as show) and tighten it to torque as shown in the BOM table.



Step 2:
Orient and Align the Radiator Guard (1) and slip-in the original nut -1 off, in left side (as shown) and tighten it to torque as shown in the BOM table.



Step 3:

The down side the Radiator Guard has the hole flaps which has to be Oriented and aligned with the OE Mounting hole (as shown).

Orient and Align the Bracket (5) Slip-in the Screw M6x20 (3) - 1 off, Taper ring M6 (4) – 1 off, and secure the threads and tighten them.

And front side Slip-in the Screw M6x15 (7) - 1 off, the washer M6 (1) -1 off, and secure the threads and tighten them.



General Instructions

1. We request you to pay attention to the Mounting Instructions in this document and follow the step-by-step procedures.
2. This Mounting Instruction manual is a “Do It Yourself” (DIY) fitment manual of the Accessory part to the Vehicle. We have prepared this based on our experience and knowledge, related to the Vehicle, Part and its functional aspects.
3. SRC cannot guarantee the interchangeability of the parts to any other manufacturer’s accessory part. It is advised to the User, to inspect and ensure the original state of all other Vehicle parts.
4. We request you to bear in mind, that the Installed part can change the driving behaviour and/or the stability during driving or any other dynamic conditions.
5. If you have the appropriate tools and another person to assist you in the mounting, it will help.
6. After Completion of the Mounting and before taking on a First ride, Ensure and Check all functions of the Vehicle. It is always advised to check loosening of the fasteners after the first 50 kilo meters of ride and at regular intervals.
7. To the maximum extent possible, our design use the current Mounting/Fitment of the Original Equipment, so that Installation of these accessories will not affect the Payload or Function of the Vehicle or the Part on which it is mounted to protect it
8. If any additional modifications are to be done, prior to the fitment of the accessories, it will be explicitly specified in the instruction sheets