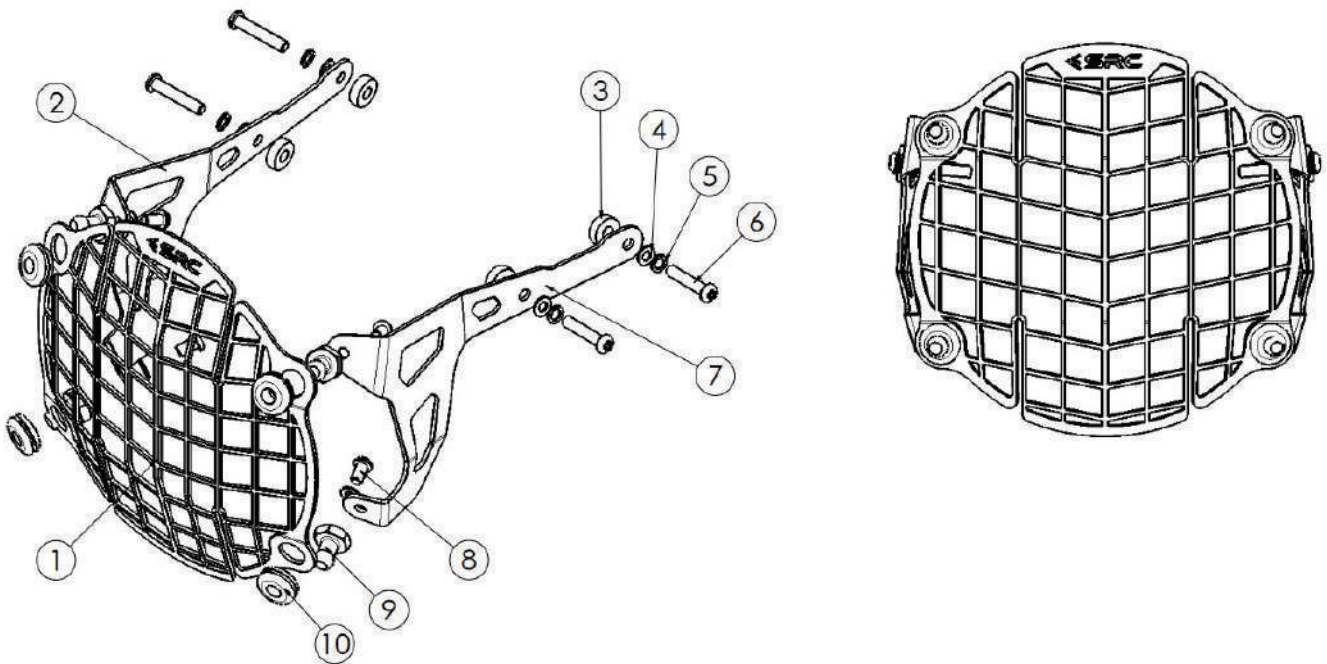


Part Number: R-HM22-01-02

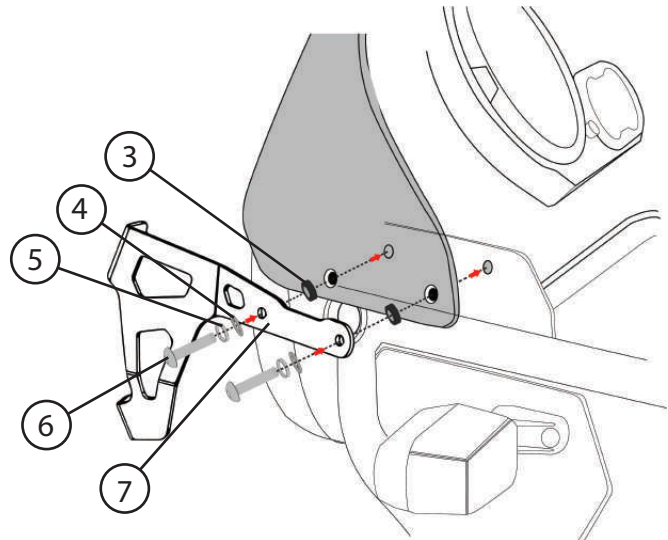
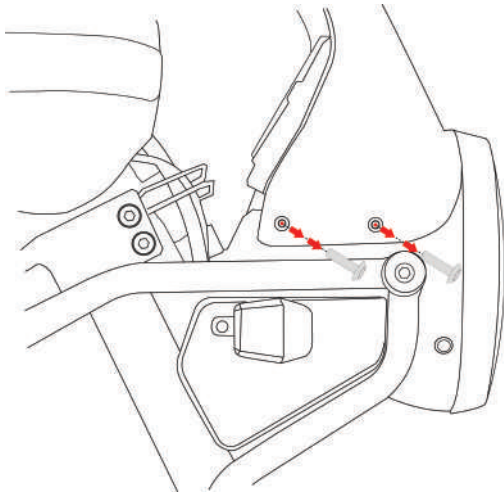
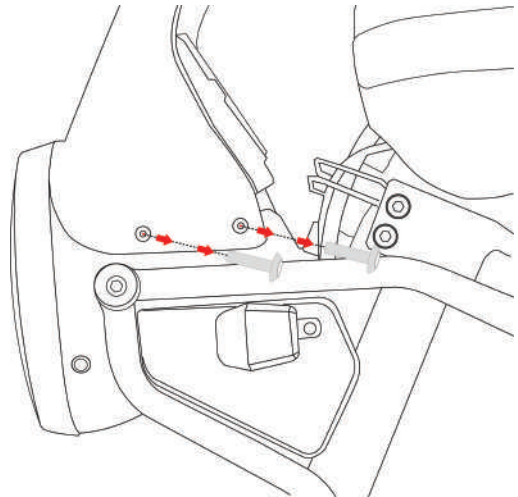
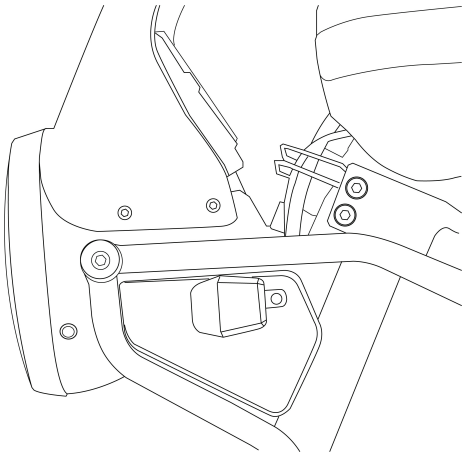
Part Description: HEADLIGHT GUARD HIMALAYAN 410 2022

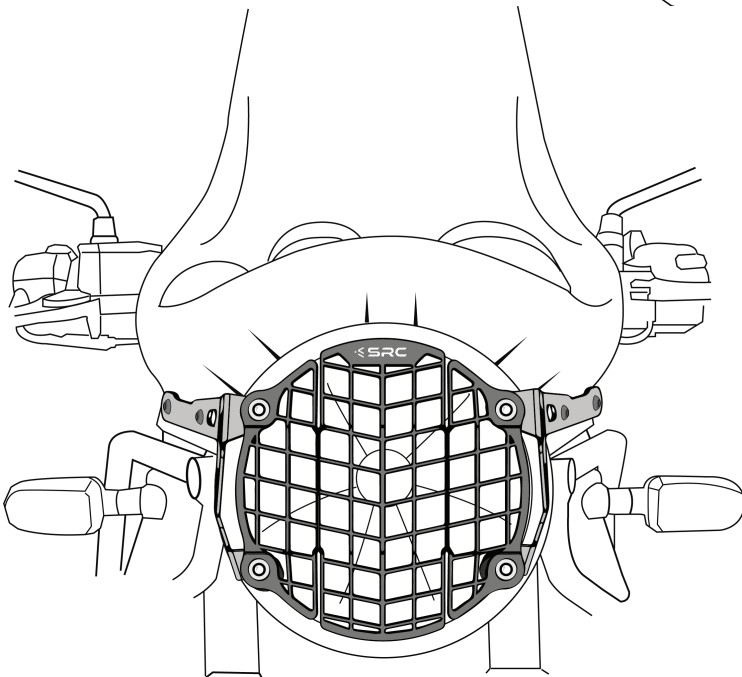
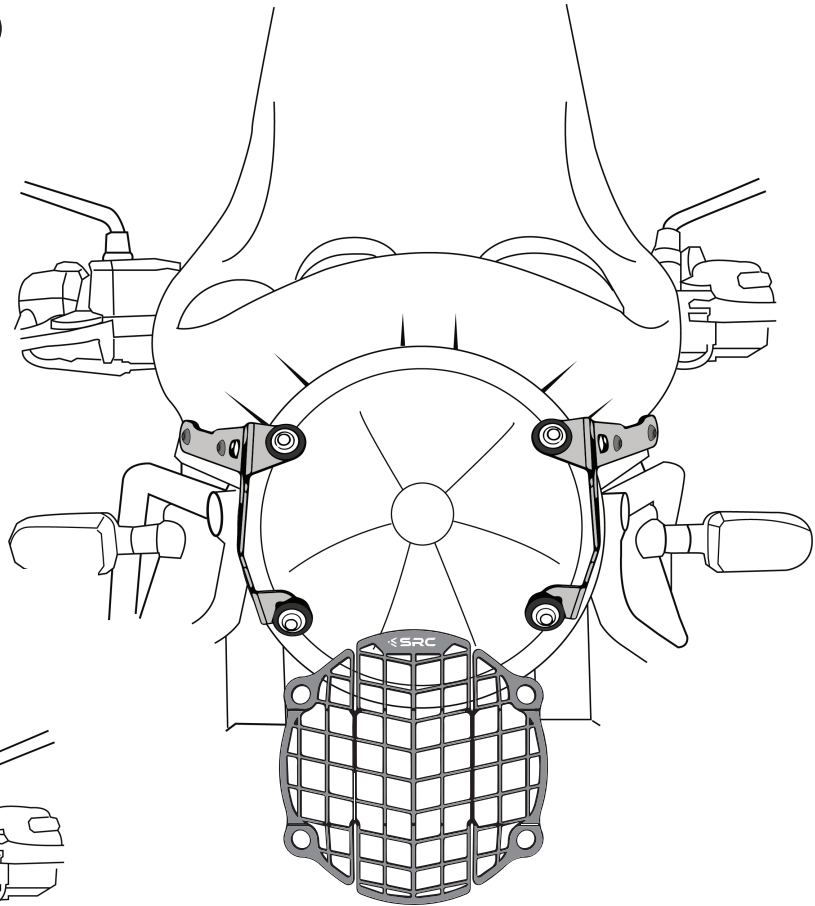
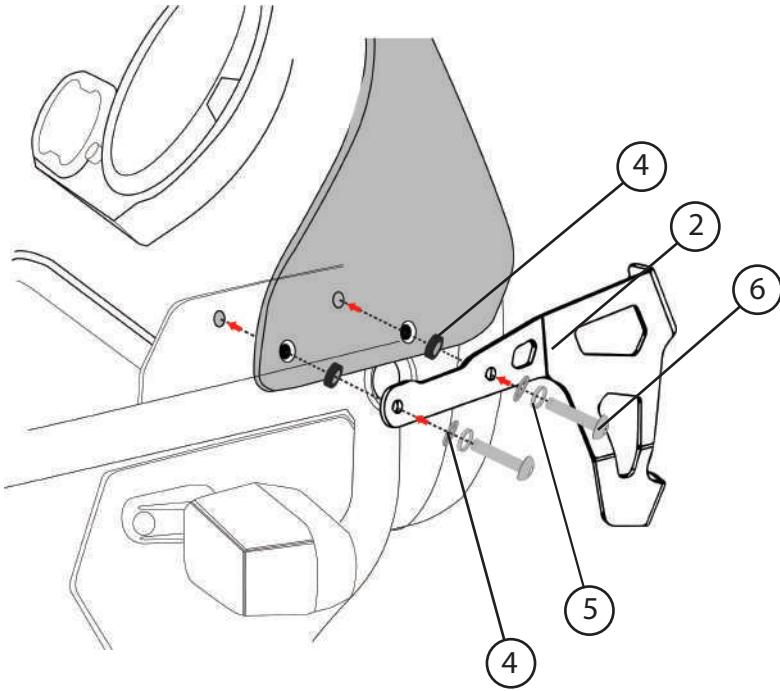
Installation / Parts List / Bill of Material for Mounting

NO.	Description	Quantity	Torque*(N-M)	Remarks**
1	Head light Guard Himala yan 410	1		
2	AD RH Head Light Guard Himalayan 410 2022	1		
3	Delrin Black M6 15x5mm	4		
4	Washer M5	8		
5	Washer Spring M5	4		
6	Socket button head screw M5x30mm	4	5-6	Use Liquid Thread Locker
7	AD LH Head Light Guard Himalayan 410 2022	1		
8	Socket button head screw M5x10mm	4	5-6	Use Liquid Thread Locker
9	BUSH RUBBER 5 mm	4		
10	RUBBER GROMMET	4		
SRC Design uses Metric System of Measurement and all dimensions in Millimeters				
Recommended to use the Torque specified in the table				
Denotes Usage of Liquid Thread Locker in specified Locations				

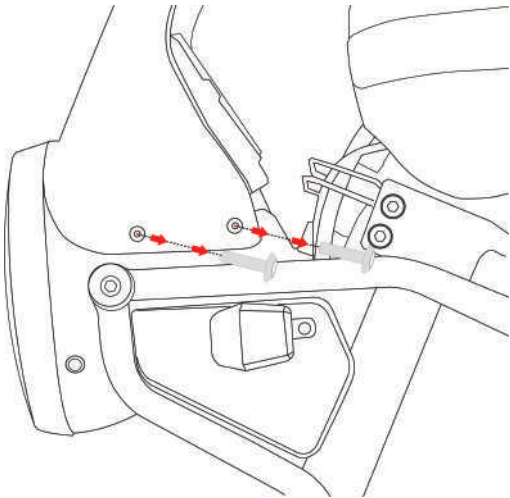


MOUNTING DRAWINGS



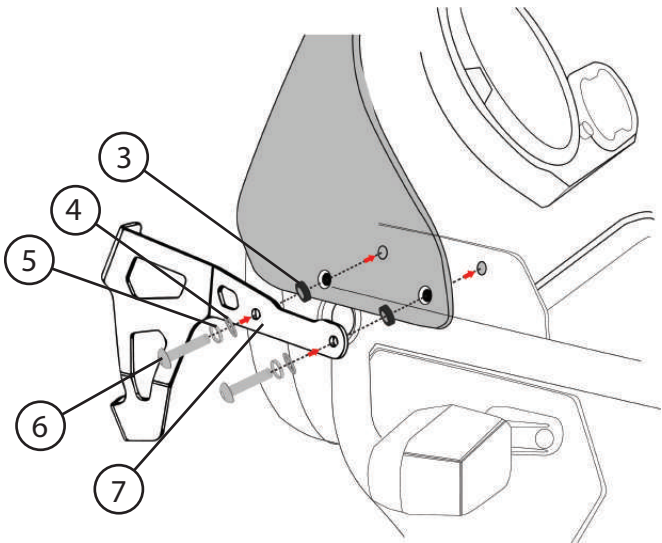
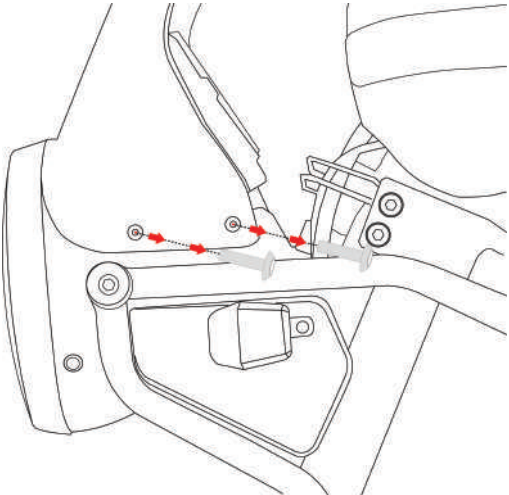


Mounting Instructions



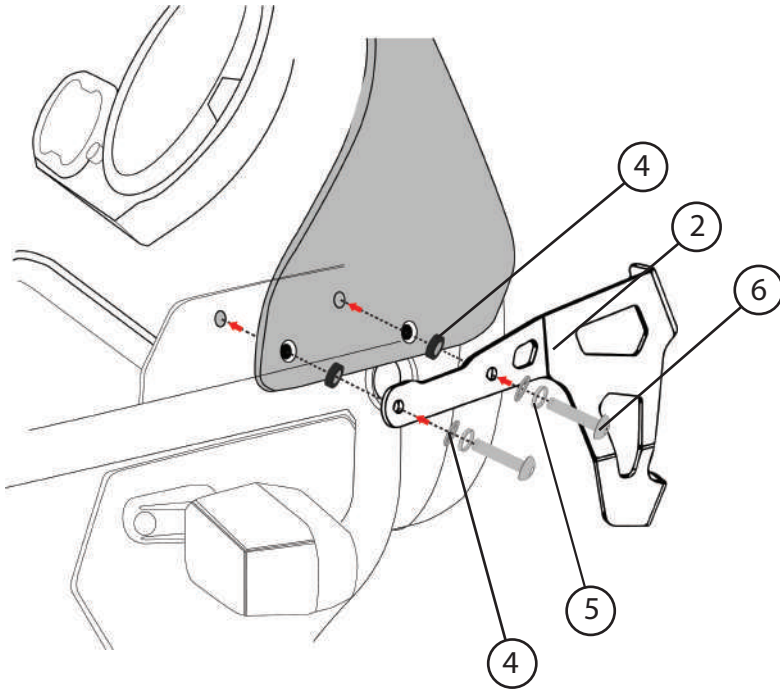
Remove the original nut from motorcycle as pictured

Remove the original nut from motorcycle as pictured



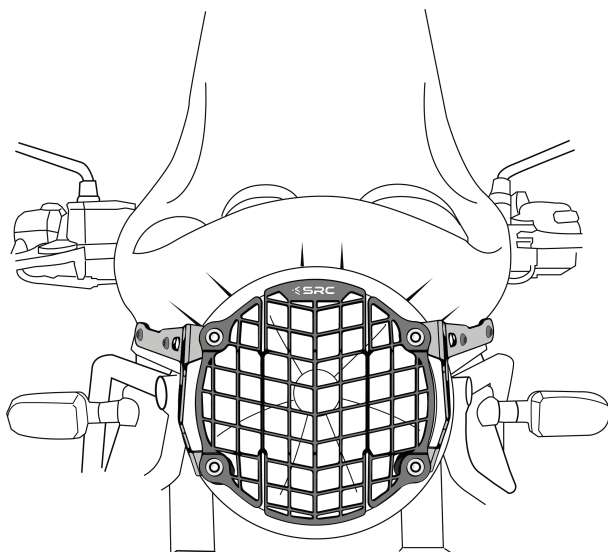
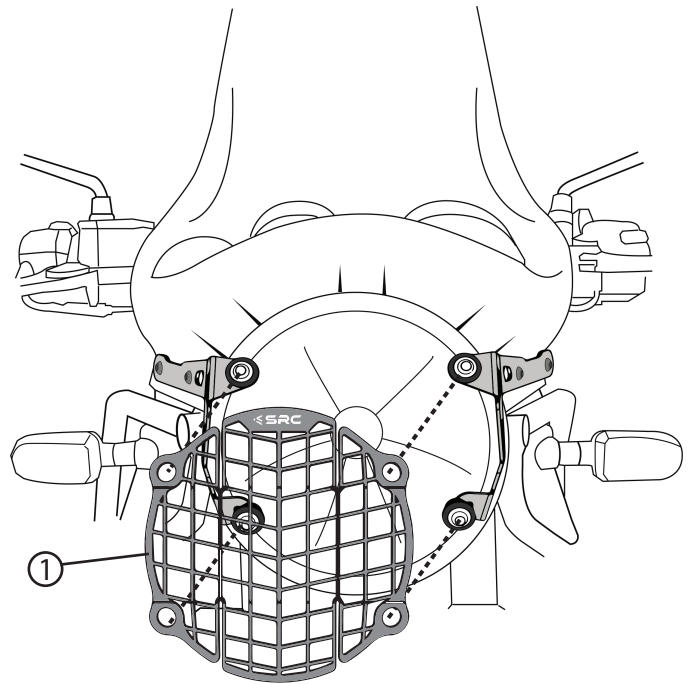
Bring (Socket button head screw M5x30mm) and Washer Spring M5 and Washer M5 and Delrin Black M6 15x5mm in the end as in the picture  
Bring a wrench to tighten 5-6 nm.

## Mounting Instructions



Bring (Socket button head screw M5x30mm) and Washer Spring M5 and Washer M5 and Delrin Black M6 15x5mm in the end as in the picture  
Bring a wrench to tighten 5-6 nm.

Bring the parts (Head light Guard) to connect with the parts on both sides.



Ensure Mounting symmetry and tighten the screws to torque as per specifications in the BOM table.  
Final Mounted condition of the Head Light Guard, is as shown in the drawing above.



## General Instructions

1. We request you to pay attention to the Mounting Instructions in this document and follow the step-by-step procedures.
2. This Mounting Instruction manual is a "Do It Yourself" (DIY) fitment manual of the Accessory part to the Vehicle. We have prepared this based on our experience and knowledge, related to the Vehicle, Part and its functional aspects.
3. SRC cannot guarantee the interchangeability of the parts to any other manufacturer's accessory part. It is advised to the User, to inspect and ensure the original state of all other Vehicle parts.
4. We request you to bear in mind, that the Installed part can change the driving behaviour and/or the stability during driving or any other dynamic conditions.
5. If you have the appropriate tools and another person to assist you in the mounting, it will help.
6. After Completion of the Mounting and before taking on a First ride, Ensure and Check all functions of the Vehicle. It is always advised to check loosening of the fasteners after the first 50 kilo meters of ride and at regular intervals.
7. To the maximum extent possible, our design use the current Mounting/Fitment of the Original Equipment, so that Installation of these accessories will not affect the Payload or Function of the Vehicle or the Part on which it is mounted to protect it
8. If any additional modifications are to be done, prior to the fitment of the accessories, it will be explicitly specified in the instruction sheets