

Part Number: R-HM-V2-18-17-02

Part Description: Himalayan 410 (2017-2022)

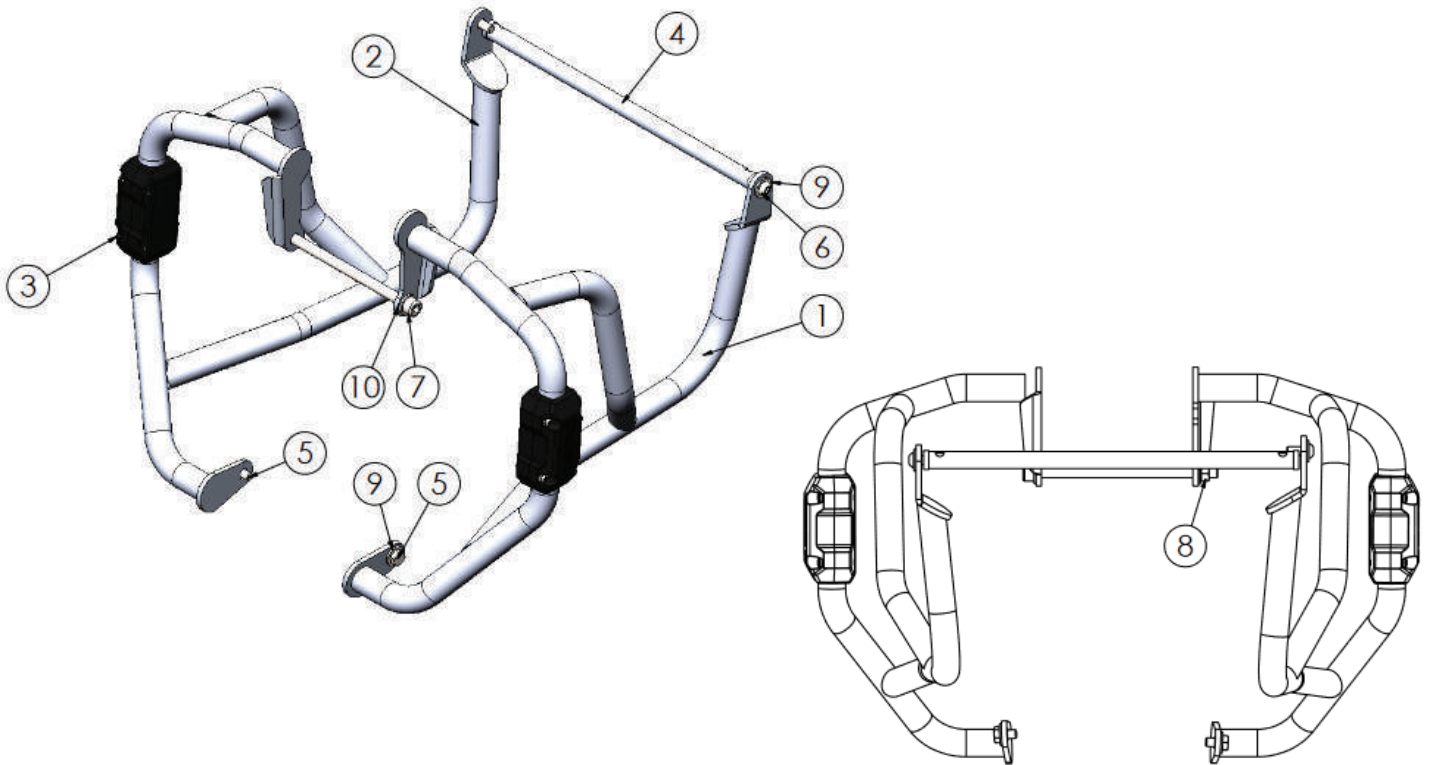
Installation / Parts List / Bill of Material for Mounting

NO.	Description	Quantity	Torque*(N-M)	Remarks**
1	Crash bar LH	1		
2	Crash bar RH	1		
3	Sliders Guards	2		
4	Bolte screw	1		
5	Hex bolt gradeb M8x15	2	34-36	Use Liquid Thread Locker
6	Socket button head screw M8x20	2	34-36	Use Liquid Thread Locker
7	Socket head cap screw M10x170	1		Use Liquid Thread Locker
8	Hex flange nut gradea M10	1		
9	Washer M8	4		
10	Washer M10	1		

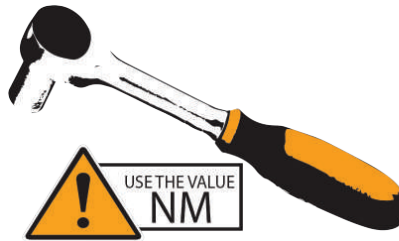
SRC Design uses Metric System of Measurement and all dimensions in Millimeters

Recommended to use the Torque specified in the table

Denotes Usage of Liquid Thread Locker in specified Locations

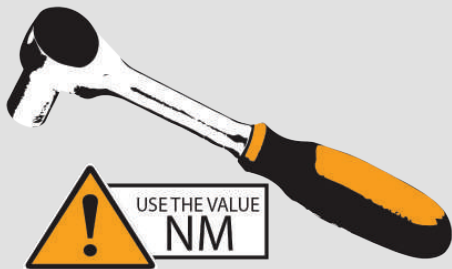


Torque Values to be used in Mounting Instructions



		M4		M5		M6		M8		M10		M12		M14		M16		M18	
code		(cs)	(Fo)	(cs)	(Fo)	(cs)	(Fo)	(cs)	(Fo)	(cs)	(Fo)	(cs)	(Fo)	(cs)	(Fo)	(cs)	(Fo)	(cs)	(Fo)
Inox	A2	2.6	—	5.1	—	8.7	—	21.2	—	42	—	73	—	118	—	180	—	258	—
steel	8.8	3	3,594	5	5,886	10	8,302	23	15,242	46	24,275	79	35,401	127	48,618	198	66,955	283	83,746
steel	10.9	4	5,279	8.1	8,645	14	12,194	34	22,388	67	35,655	116	51,995	187	71,408	291	98,340	402	119,454

Tensile load (Fo)
The force in newtons (N) which maintains pressure contact between assembled components
Tightening torque (Cs) [values are in N-m]

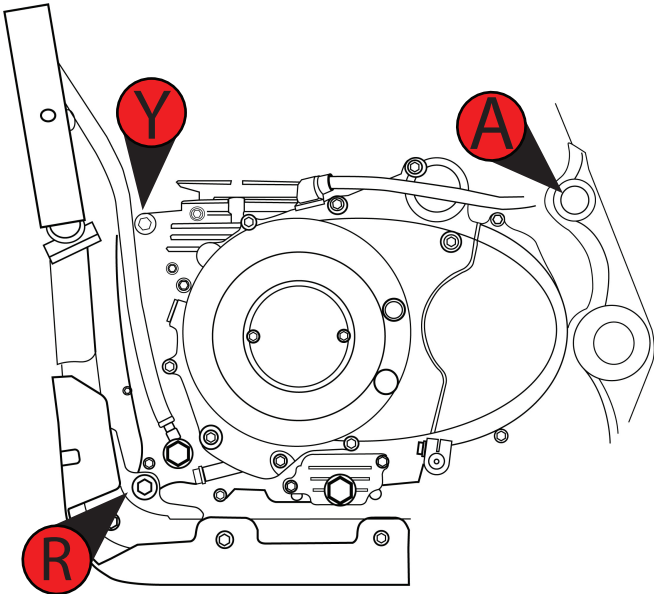


! symbol (NM), refer to the reference value given in the table above for use in the required operation And safe in operation and accuracy in inserting parts.



! The tool in the picture is (thread locked). When you see this mark, please insert the medicine to the point where the nut is to be inserted for the firmness and accuracy of the insertion work.

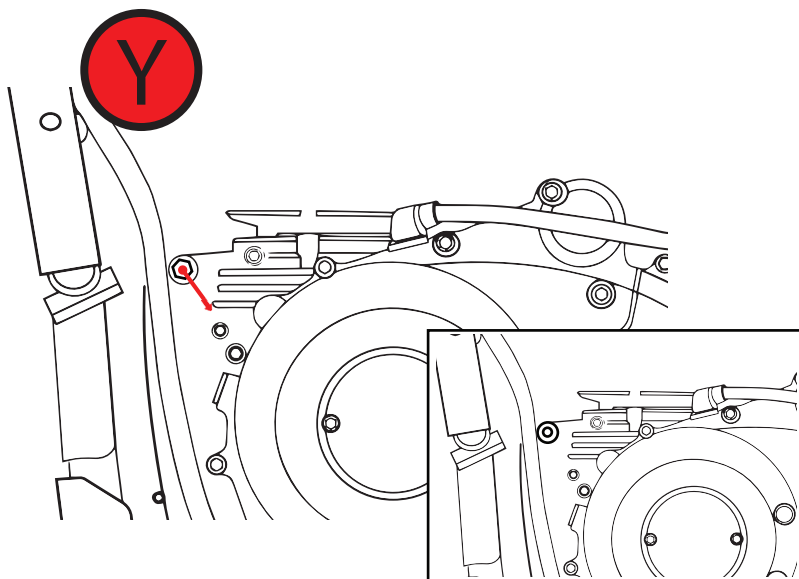
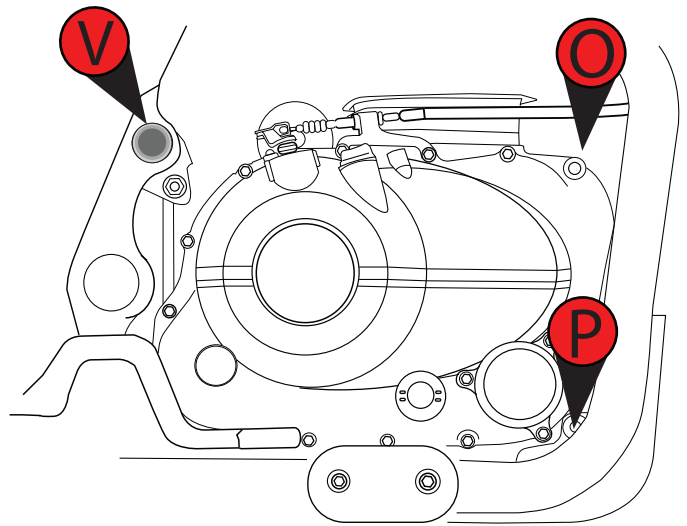
! Please check and check again to make sure that all are inserted. Every piece and don't forget any step to be safe.



The letters represent different positions. by motorcycle point

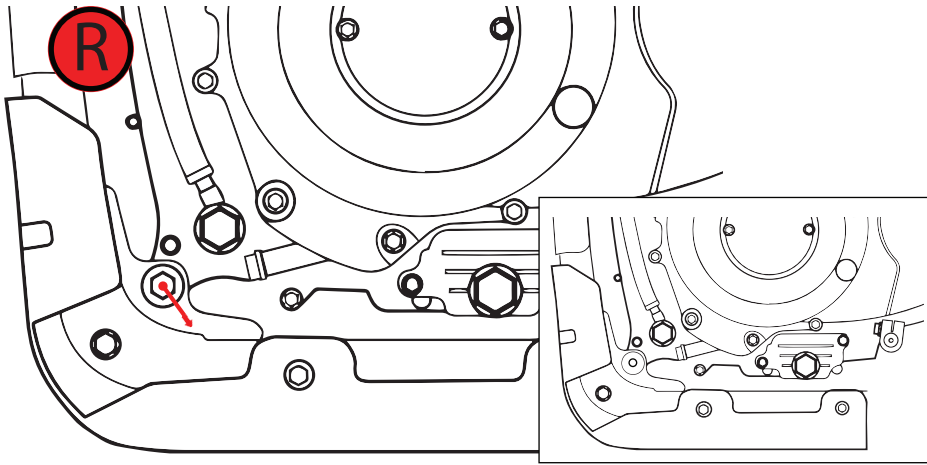


The letters represent different positions. by motorcycle point



1

Remove the original nut as illustrated.

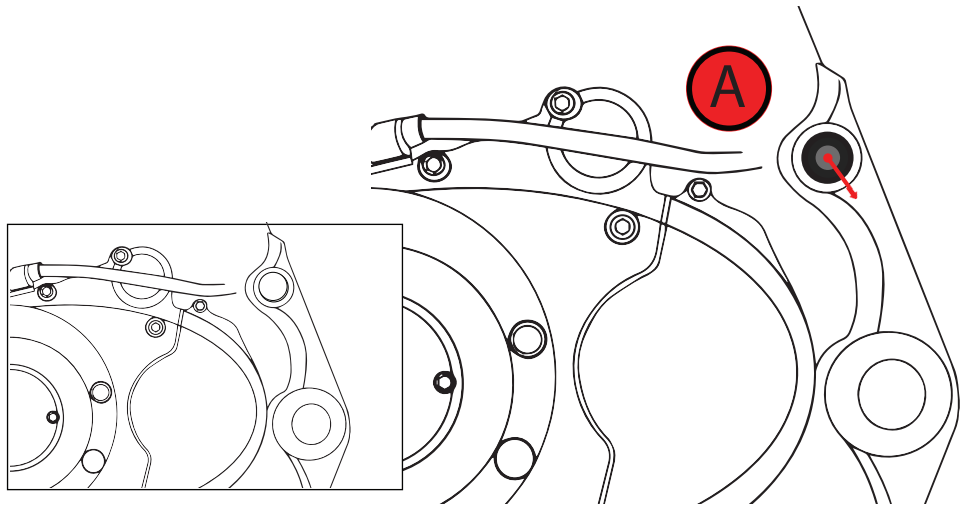


2

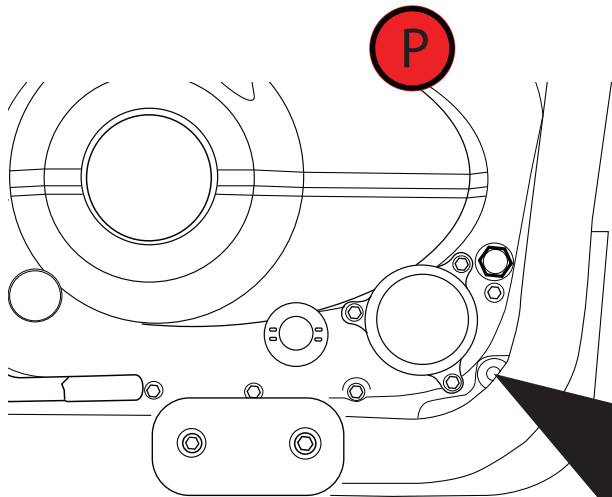
Remove the original nut as illustrated.

3

Pull out the pipe cap.

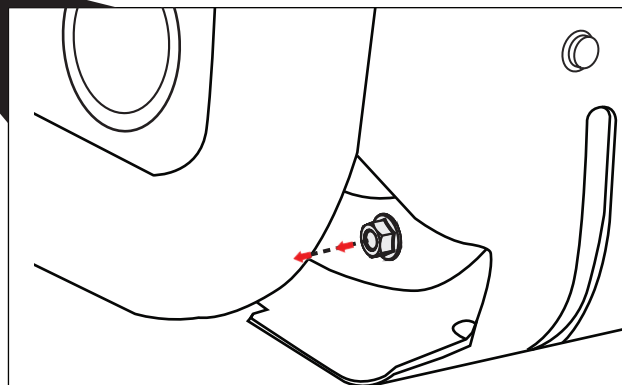


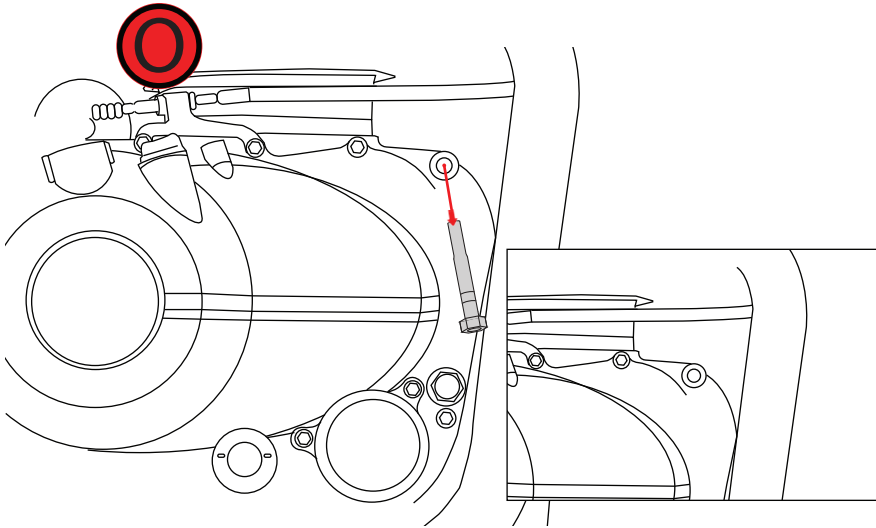
P



4

Remove the original nut as shown in the illustration.



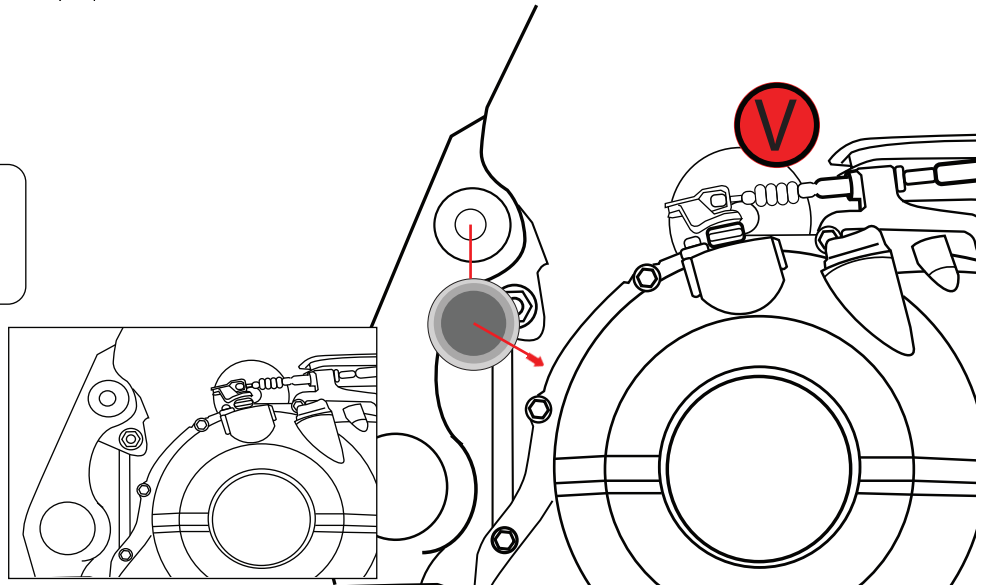


5

Remove the original nut as illustrated.

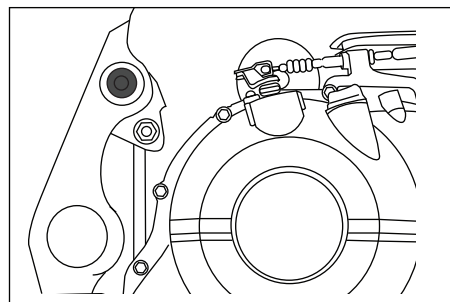
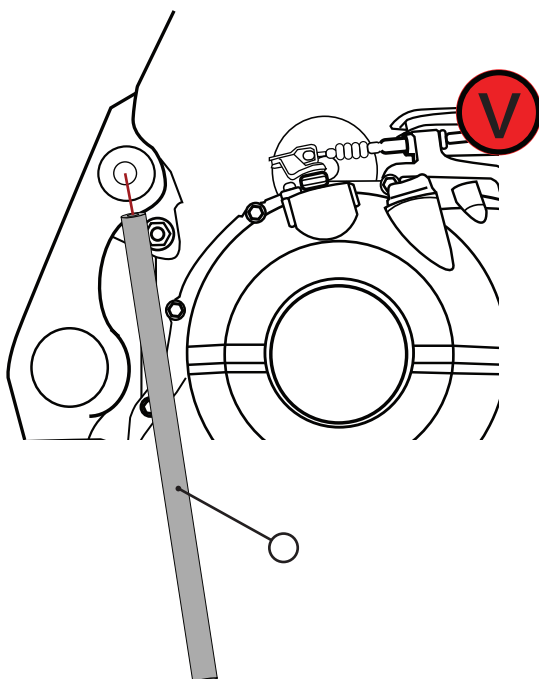
6

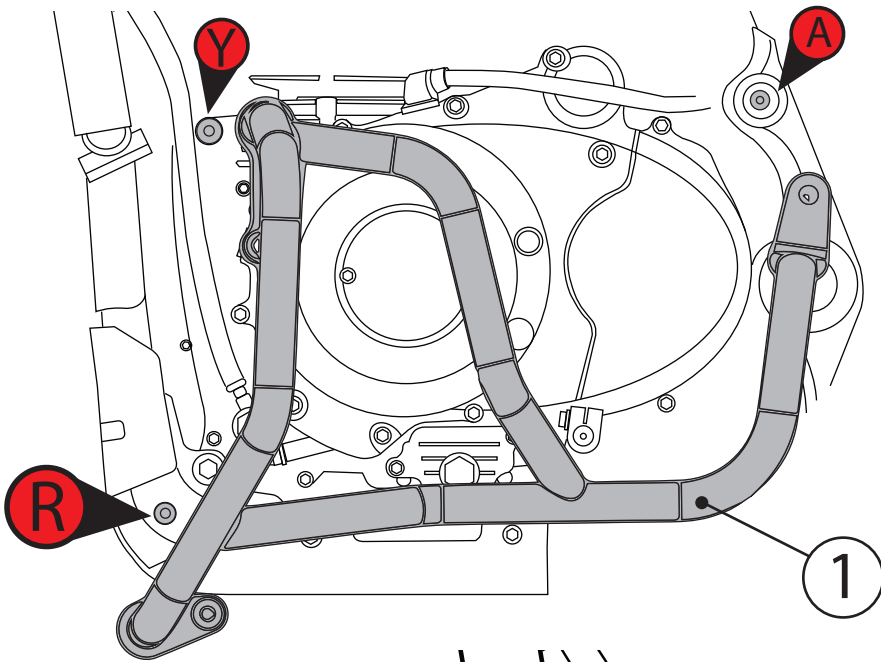
Pull out the pipe plug as illustrated.



7

Put the tube into the tube hole as illustrated.

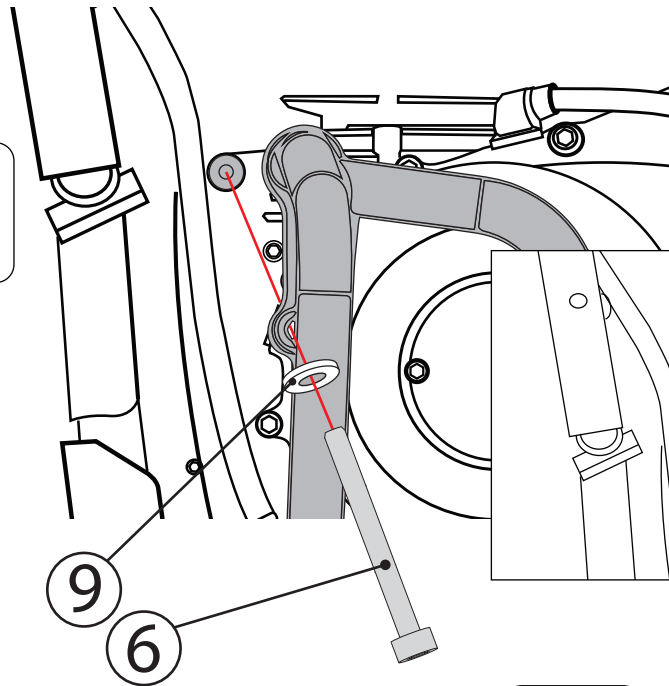




The letters will show the key positions.

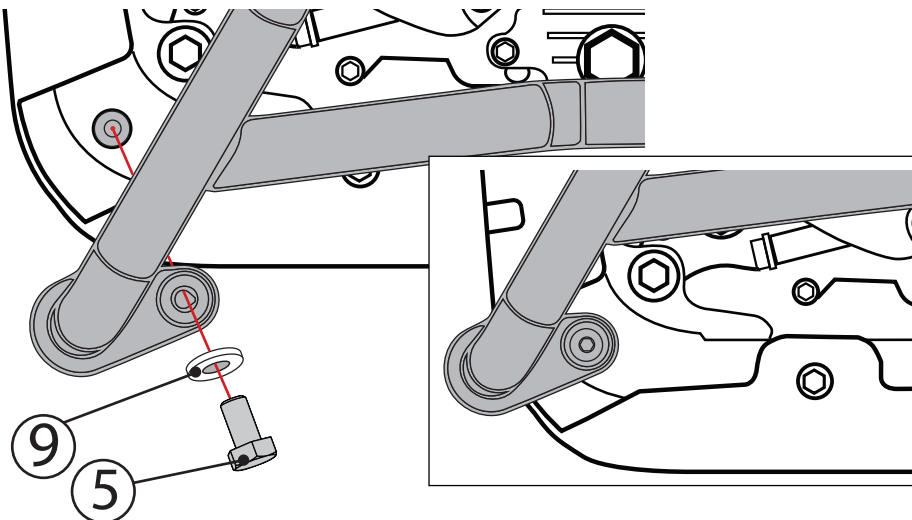
8

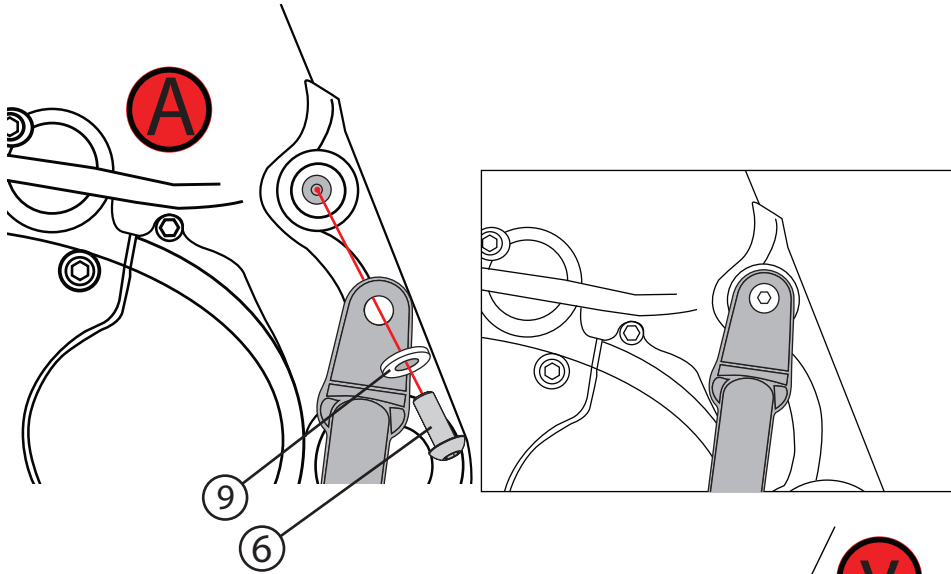
Put the bolts in the order shown in the illustration.



9

Put the bolts in the order shown in the illustration.



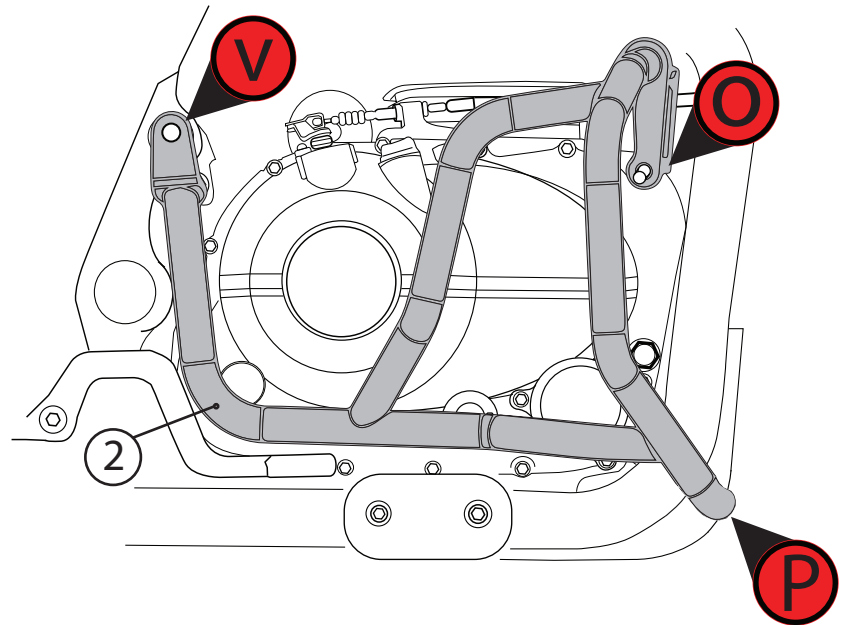


10

Put the bolts in the order shown in the illustration, and tighten the nut according to the value // as defined, don't forget to put the locking liquid

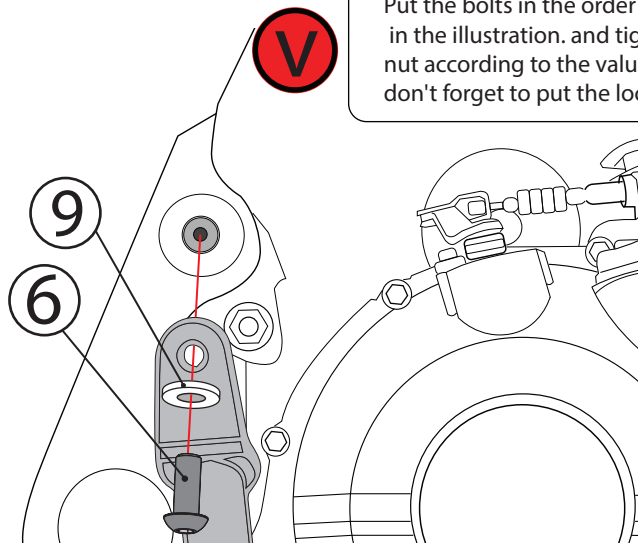
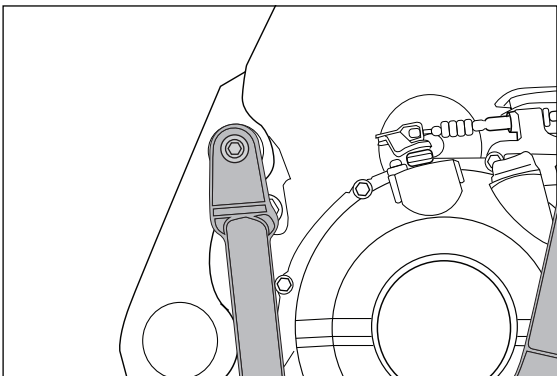


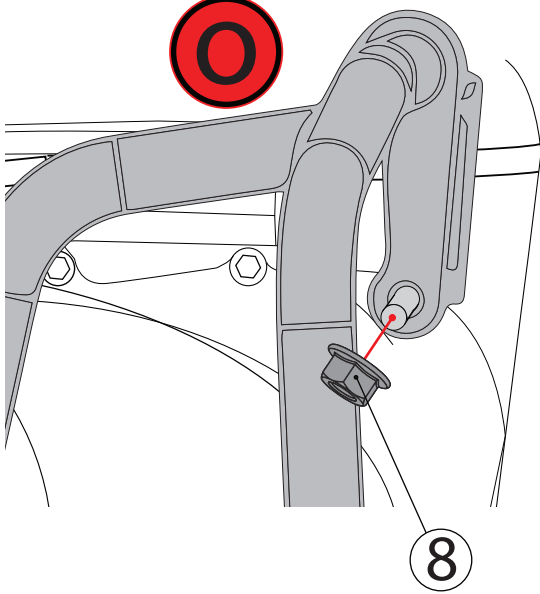
but what about letters will tell you the location



11

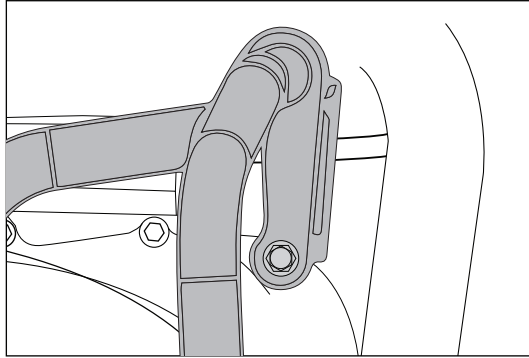
Put the bolts in the order shown in the illustration, and tighten the nut according to the value // as defined, don't forget to put the locking liquid





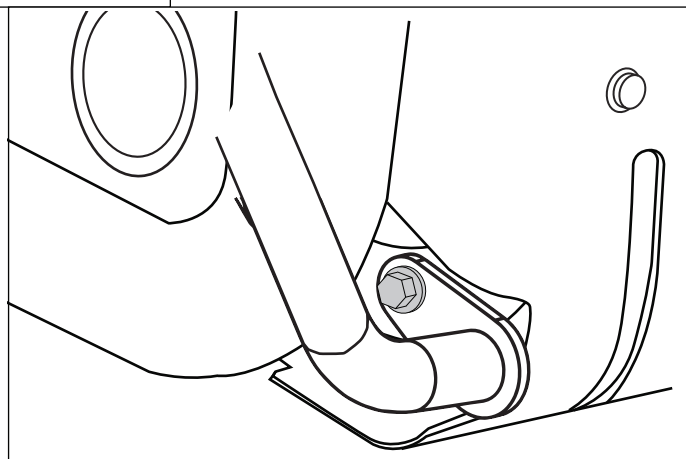
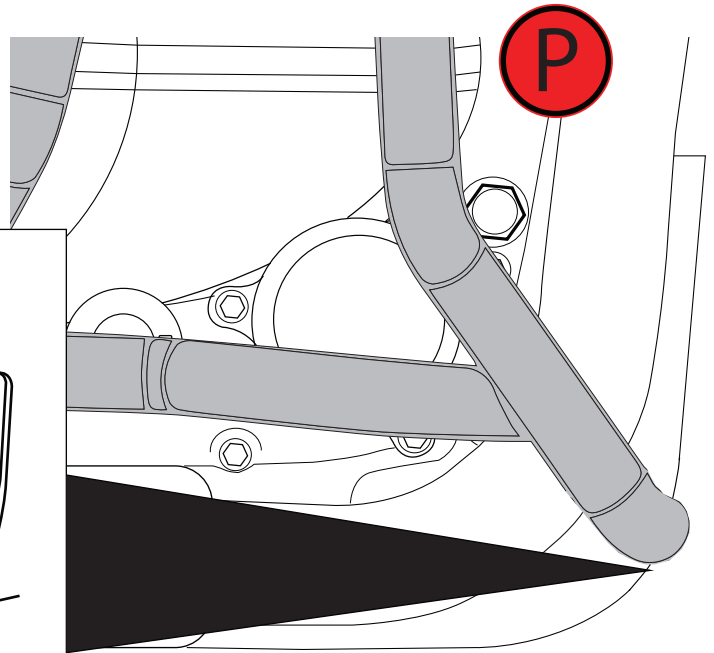
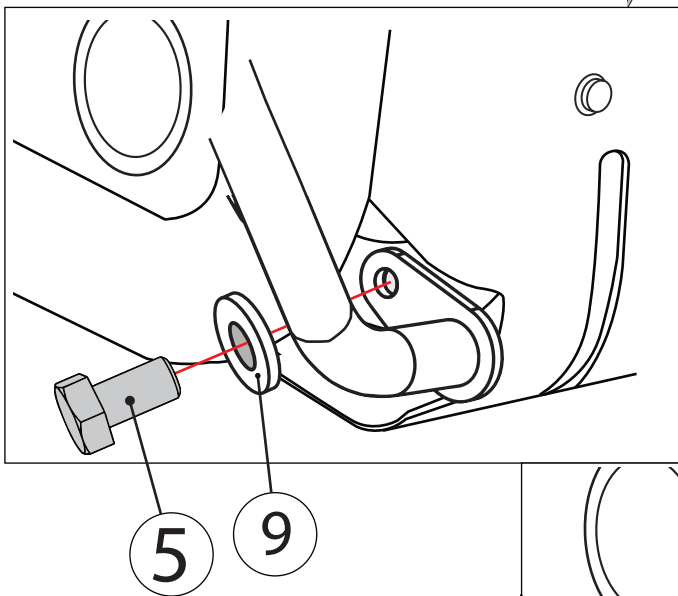
12

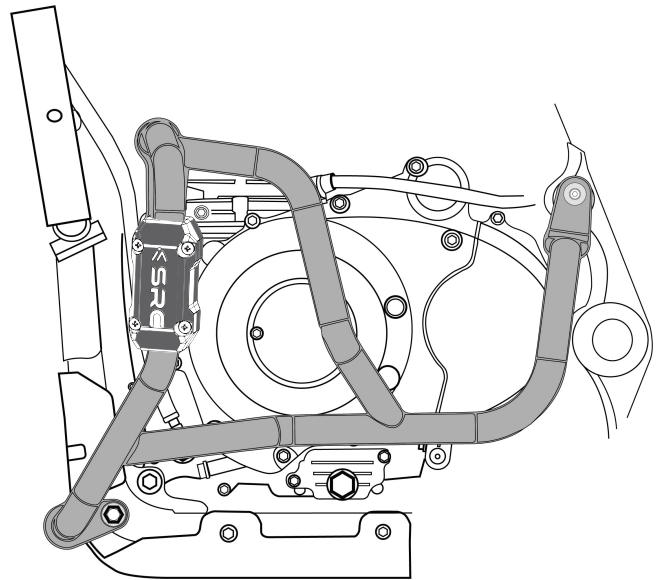
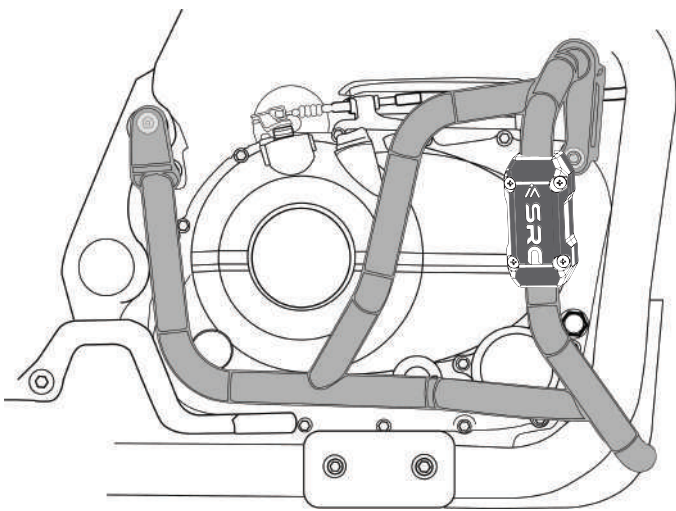
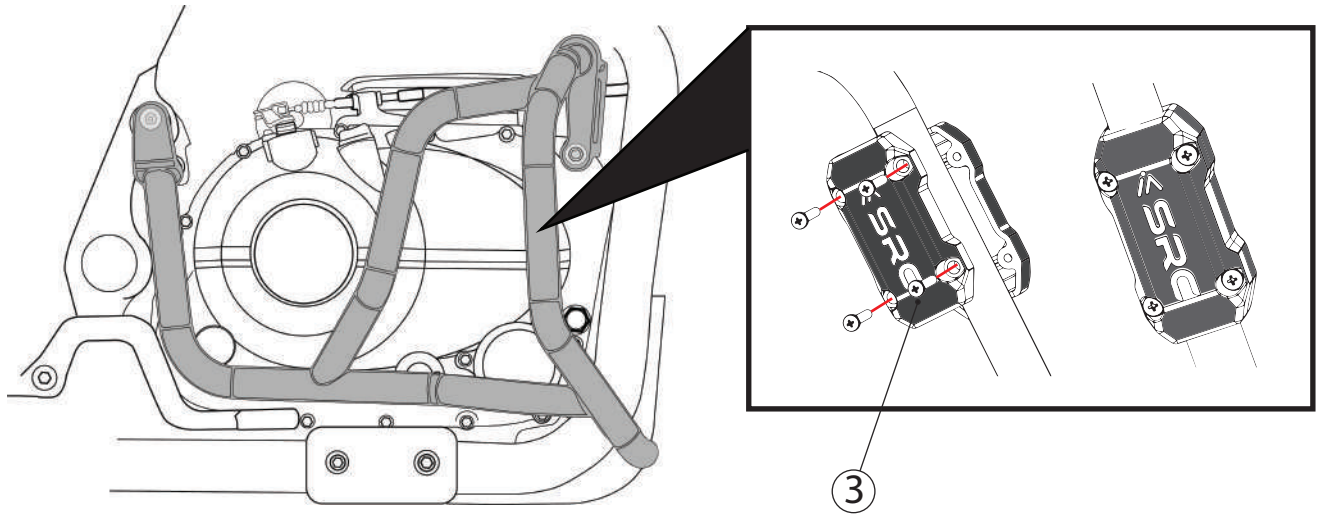
Tighten the nut according to the specified number and according to the value NM



13

Tighten the nut according to the specified number and according to the value NM





Please tighten the bolts to the recommended value/NM/ and insert/lock thread/ according to the instructions.



- (1.) We request you to pay attention to the Mounting Instructions in this document and follow the step-by-step procedures.
- (2.) This Mounting Instruction manual is a “Do It Yourself” (DIY) fitment manual of the Accessory part to the Vehicle. We have prepared this based on our experience and knowledge, related to the Vehicle, Part and its functional aspects
- (3.) SRC cannot guarantee the interchangeability of the parts to any other manufacturer’s accessory part. It is advised to the User, to inspect and ensure the original state of all other Vehicle parts.
- (4.) We request you to bear in mind, that the Installed part can change the driving behaviour and/or the stability during driving or any other dynamic conditions.
- (5.) If you have the appropriate tools and another person to assist you in the mounting, it will help.
- (6.) After Completion of the Mounting and before taking on a First ride, Ensure and Check all functions of the Vehicle. It is always advised to check loosening of the fasteners after the first 50 kilo meters of ride and at regular intervals.
- (7.) To the maximum extent possible, our design use the current Mounting/Fitment of the Original Equipment, so that Installation of these accessories will not affect the Payload or Function of the Vehicle or the Part on which it is mounted to protect it.
- (8.) If any additional modifications are to be done, prior to the fitment of the accessories, it will be explicitly specified in the instruction sheets

