

**Scope of Supply/Bill of Material & Mounting Drawings**

Part Number: K-VS18-07-01-SL / K-VS18-07-02  
 Part Description: GPS Bar – KAWASAKI VERSYS650 2015-2019  
 Applicable to Stainless Steel & Steel Version

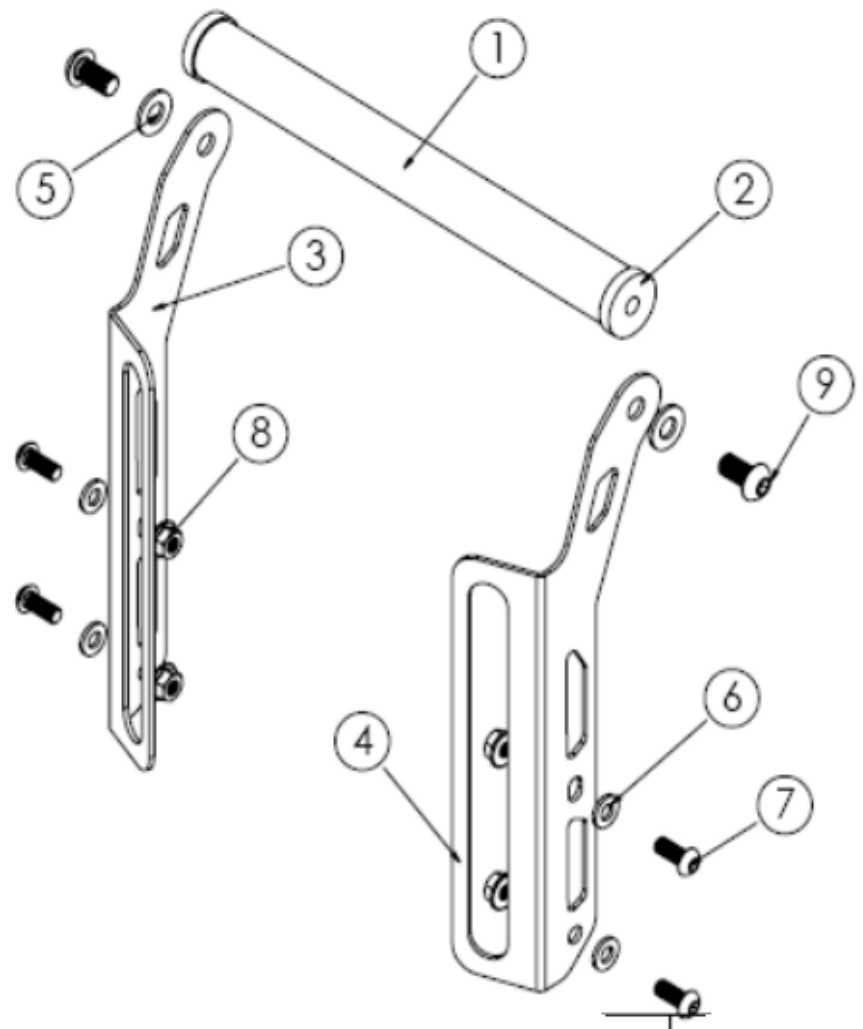
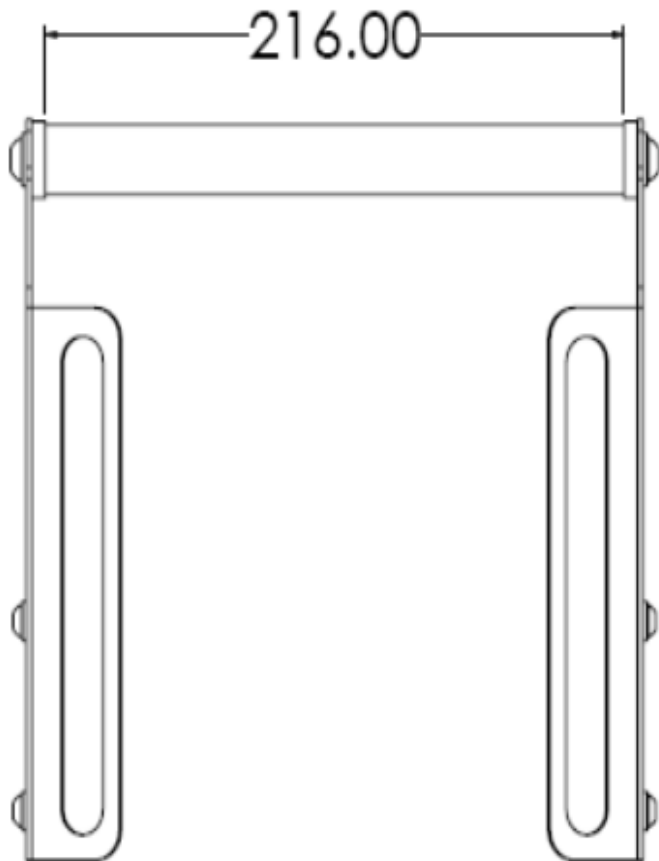
**Installation / Parts List / Bill of Material for Mounting**

No.	Description	Quantity	Torque * (N-m)	Remarks **
1	GPS Bar	1		
2	End Adaptor	2		
3	Bracket - RH	1		
4	Bracket - LH	1		
5	Washer (M8)	2		
6	Washer (M6)	2		
7	Screw - M6 x 15	1	10	Use Liquid Thread Locker
8	Nut - M6	1	10	Use Liquid Thread Locker
9	Screw - M8 x 16	2	24	Use Liquid Thread Locker

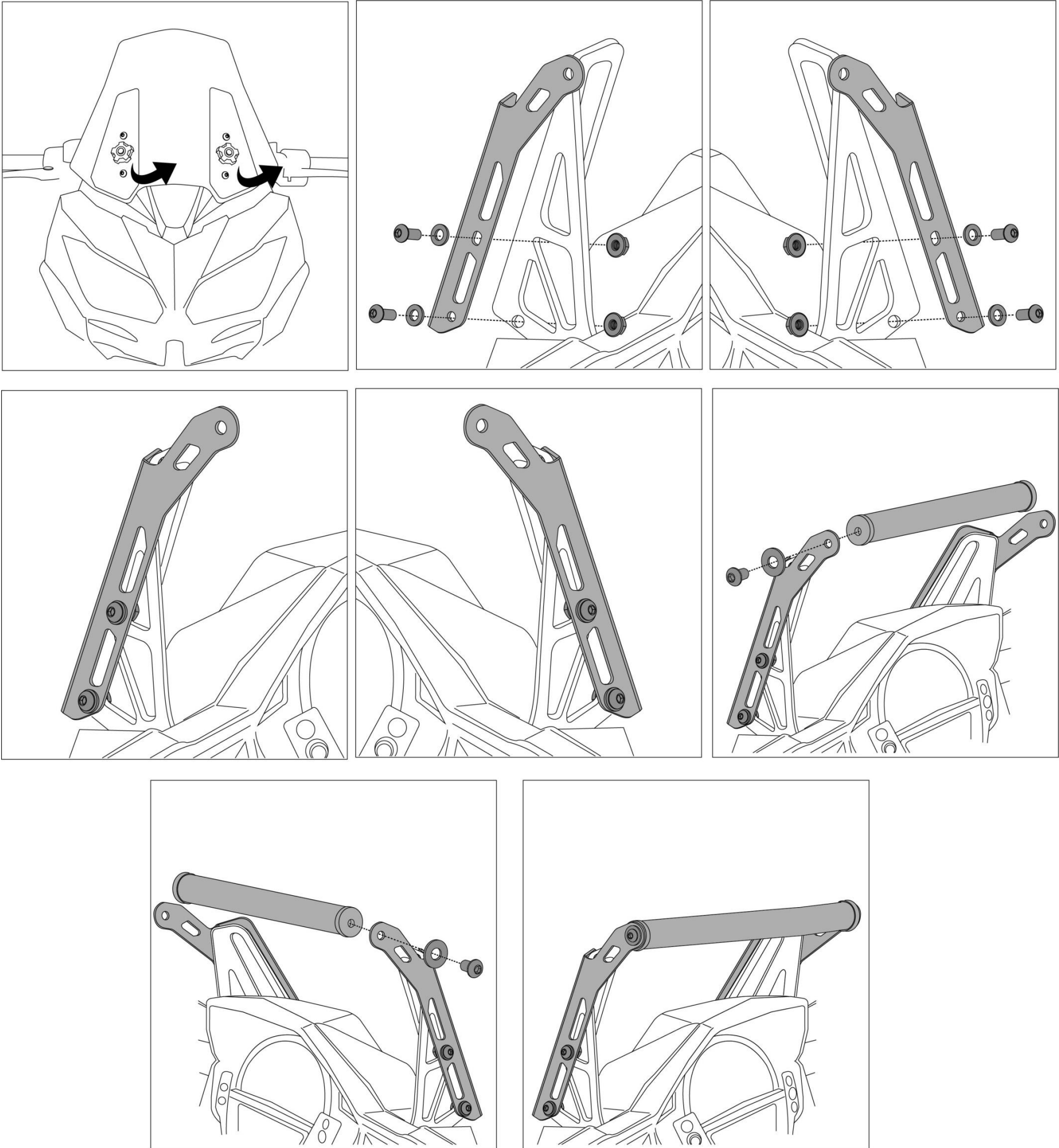
SRC Design uses Metric System of Measurement and all dimensions are in Millimeters

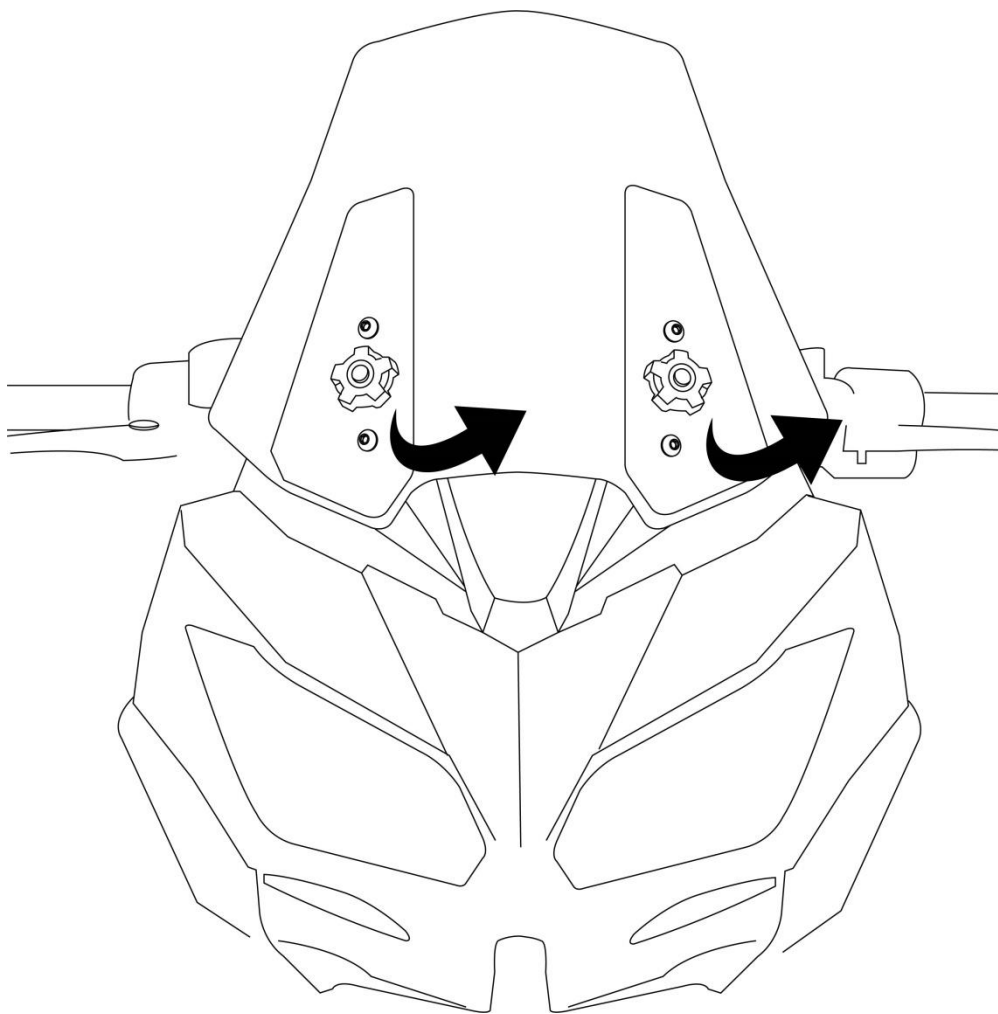
\* Recommended to use the Torque specified in the table

\*\* Denotes Usage of Liquid Thread Locker in specified locations



## MOUNTING DRAWINGS





**Step 1:**

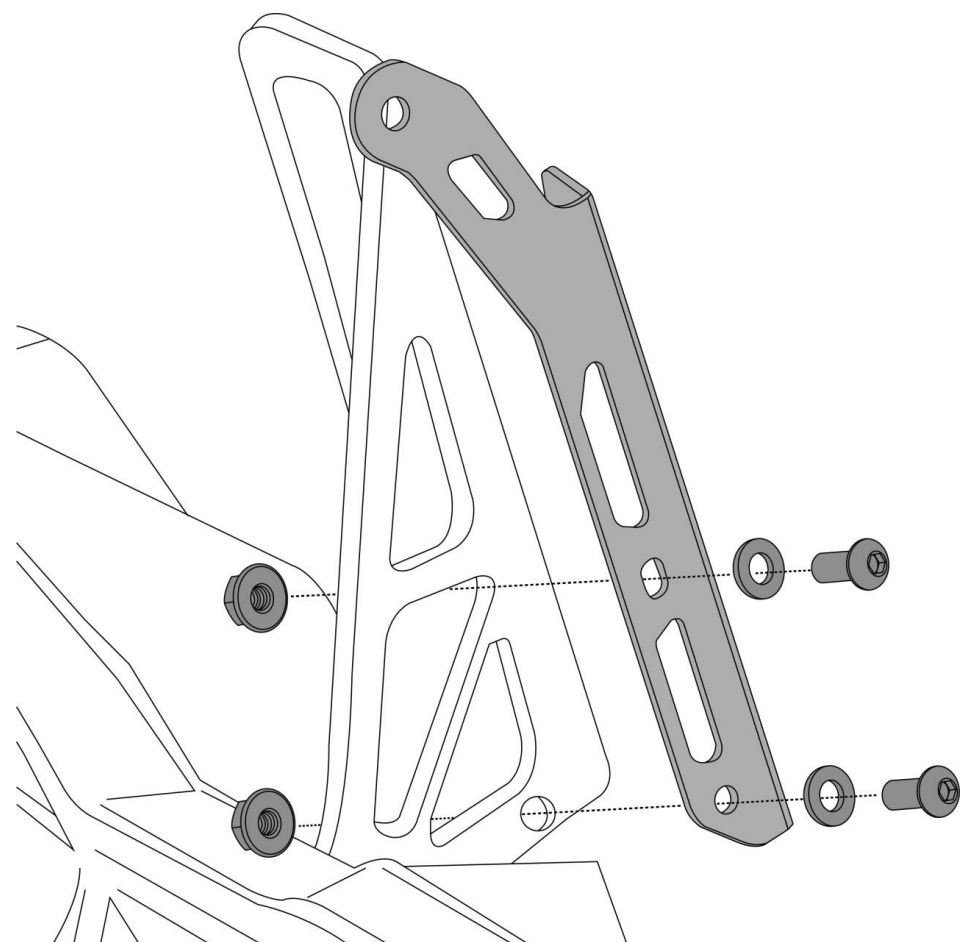
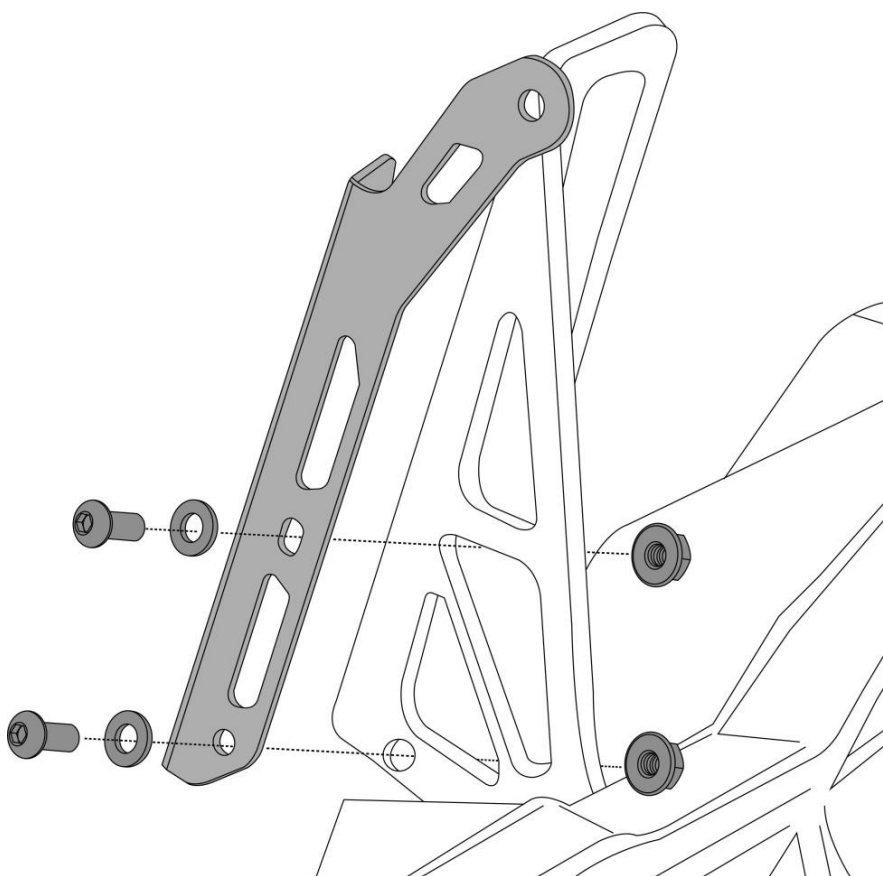
**Mounting of Bracket LH and Bracket RH**

The Windshield Guard has to be removed to have access to the mounting holes for the Bracketry (which share the same OE mounting points, as that of the Windshield Guard).

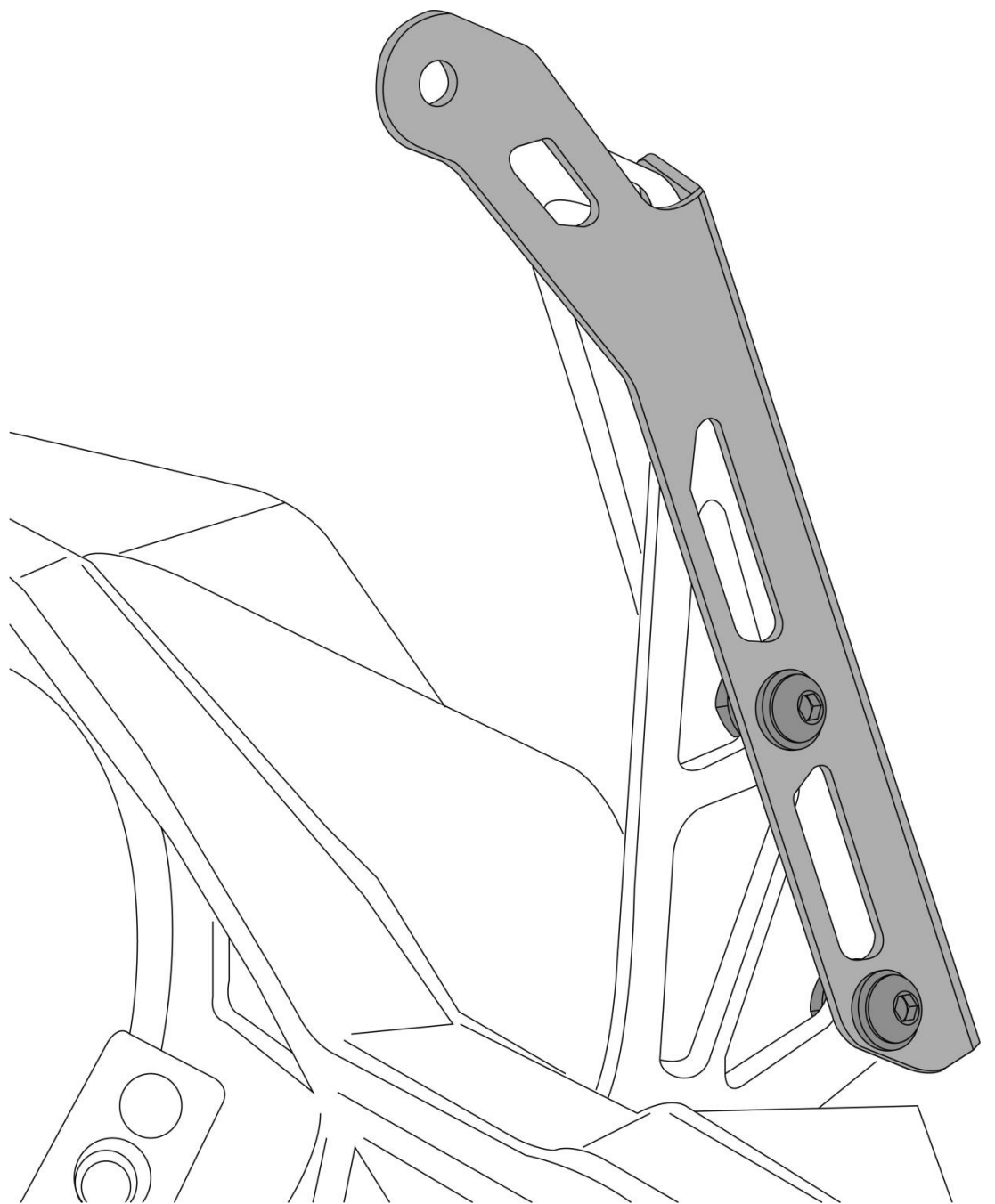
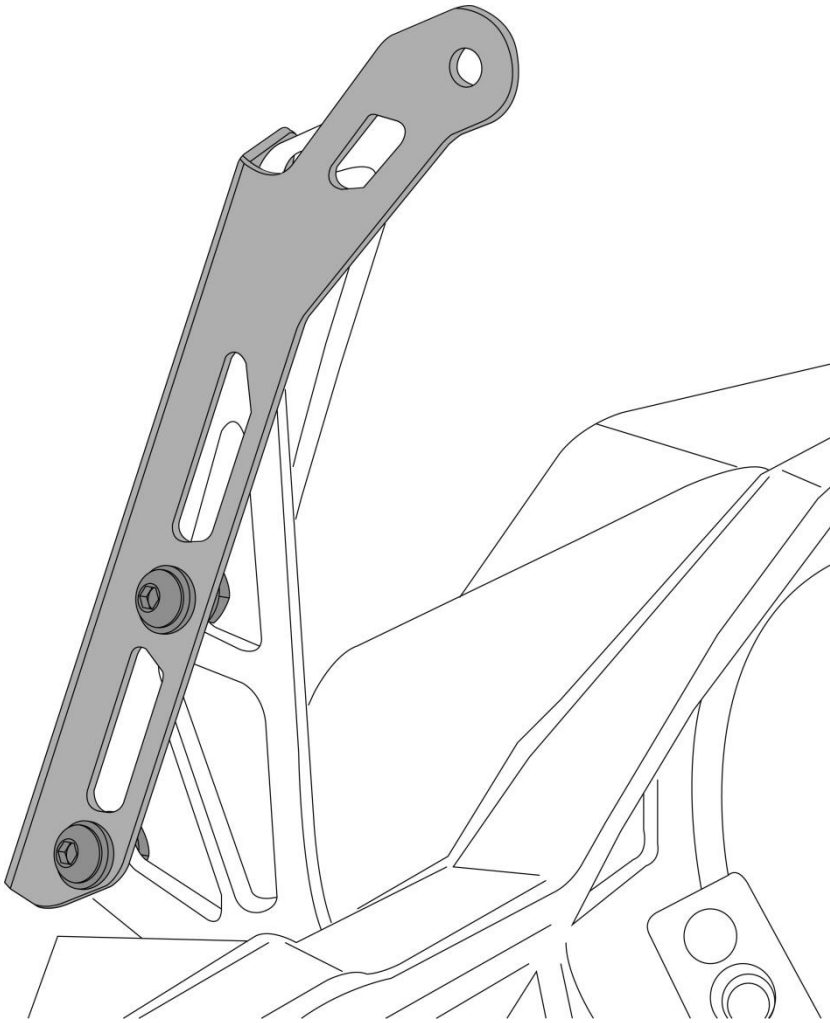
Orient the Bracket LH (4), as shown, and Slip-in the Washer(6) – 2 off, Screw M6 x 15 (7) – 2 off, and Nut – M6 (8) – 2 off, as shown, and secure the threads, but not tighten them fully.

**Step 2:**

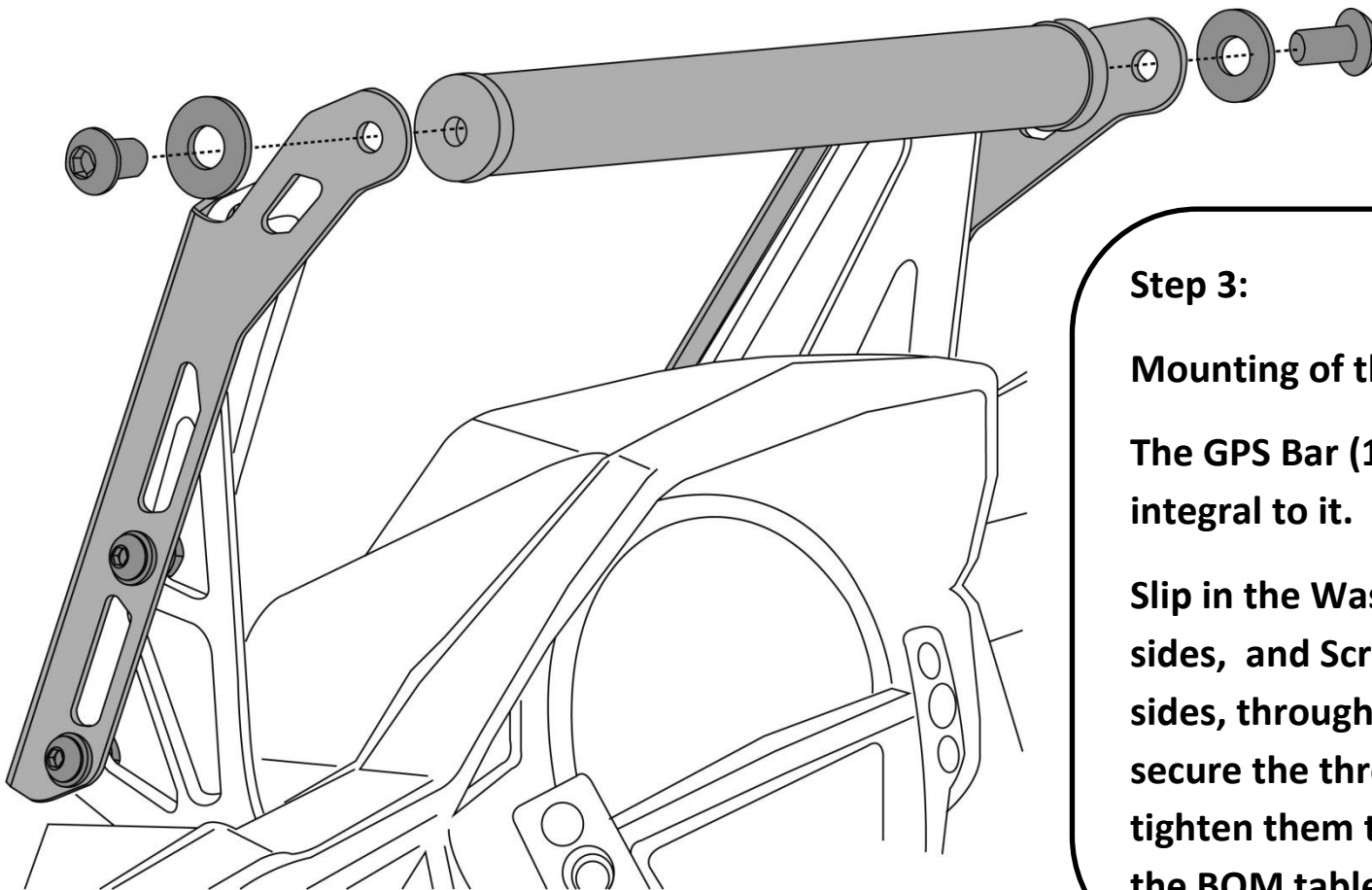
Repeat Step 1 to mount the Bracket RH (3), as shown in the above drawing.







The drawing above and the one on the Right-hand side, shows the “As is mounted condition of the Bracket LH & RH”



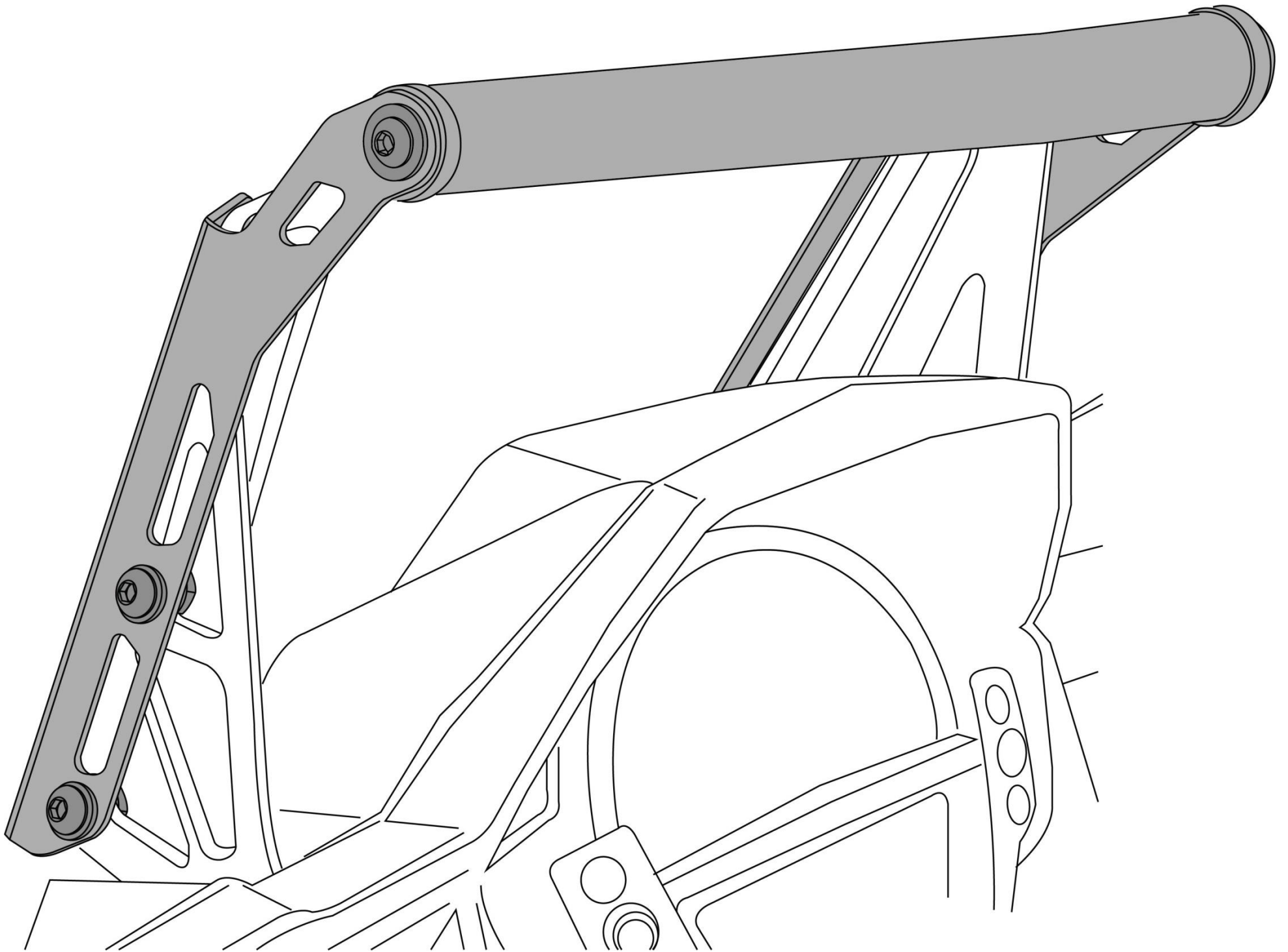
**Step 3:**

**Mounting of the GPS Bar**

The GPS Bar (1) has 2 Threaded End Adaptors integral to it.

Slip in the Washer M8 (5) – 1 off from either sides, and Screw M8 x 16 (9) – 1 off from either sides, through the hole in the Brackets and secure the threads to the End Adaptor and tighten them to torque as per specifications in the BOM table.

GPS in Final Mounted condition is as shown above.





## General Instructions

1. We request you to pay attention to the Mounting Instructions in this document and follow the step-by-step procedures.
2. This Mounting Instruction manual is a “Do It Yourself” (DIY) fitment manual of the Accessory part to the Vehicle. We have prepared this based on our experience and knowledge, related to the Vehicle, Part and its functional aspects.
3. SRC cannot guarantee the interchangeability of the parts to any other manufacturer’s accessory part. It is advised to the User, to inspect and ensure the original state of all other Vehicle parts.
4. We request you to bear in mind, that the Installed part can change the driving behaviour and/or the stability during driving or any other dynamic conditions.
5. If you have the appropriate tools and another person to assist you in the mounting, it will help.
6. After Completion of the Mounting and before taking on a First ride, Ensure and Check all functions of the Vehicle. It is always advised to check loosening of the fasteners after the first 50 kilo meters of ride and at regular intervals.
7. To the maximum extent possible, our design use the current Mounting/Fitment of the Original Equipment, so that Installation of these accessories will not affect the Payload or Function of the Vehicle or the Part on which it is mounted to protect it
8. If any additional modifications are to be done, prior to the fitment of the accessories, it will be explicitly specified in the instruction sheets