

## Scope of Supply/Bill of Material & Mounting Drawings

Part Number: H-X-ADV-21-02-01-SL / H-X-ADV-21-02-02

Part Description: Radiator Guard – HONDA X-ADV 750 2021

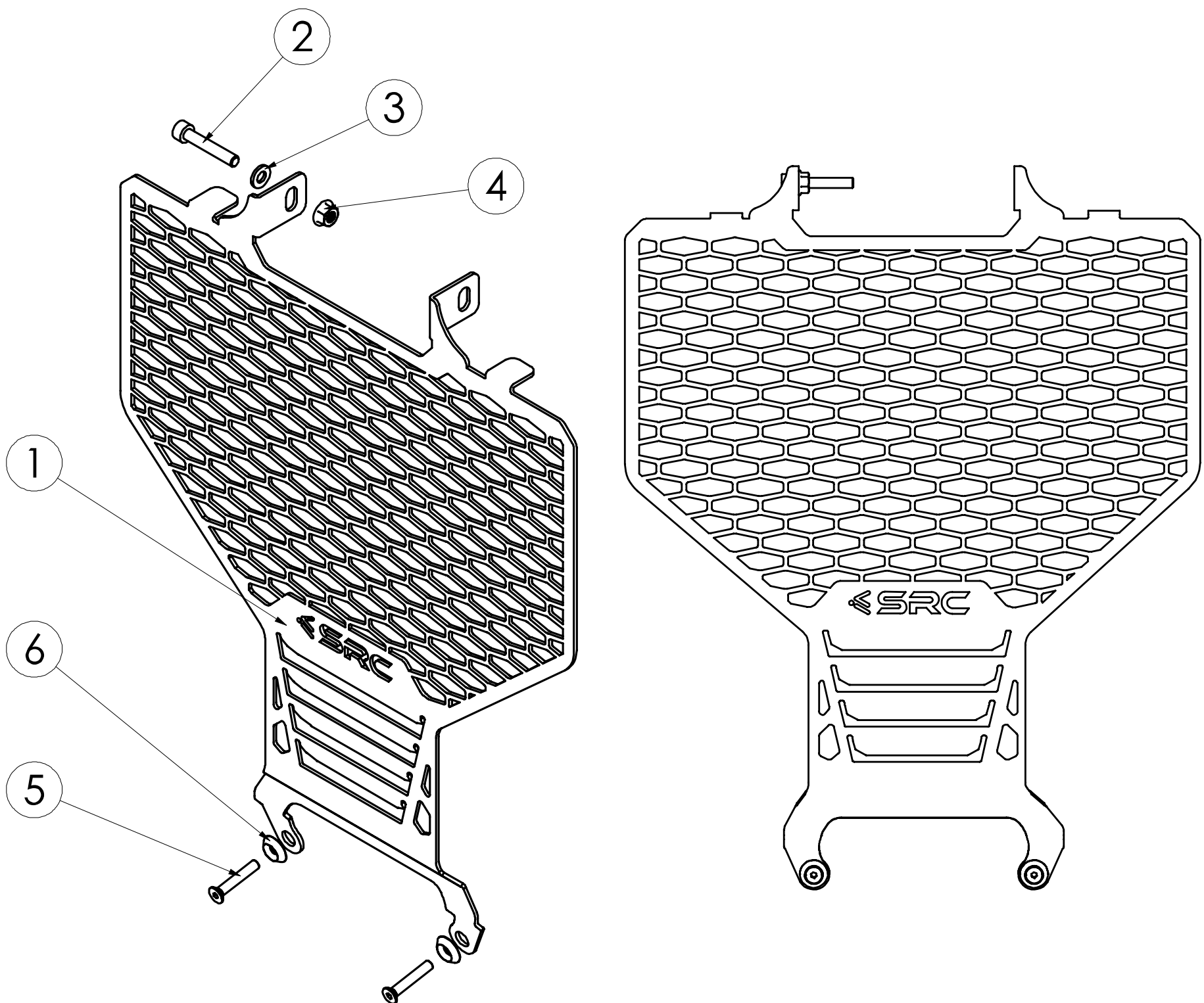
### Installation / Parts List / Bill of Material for Mounting

NO.	Description	Quantity	Torque * (N-M)	Remarks **
1	Radiator Guard X-ADV 750 2021	1		
2	Socket Head Cap screw M6x35	1	9 - 10	Use Liquid Thread Locker
3	Washer M6	1		
4	Hex flange nut gradea M6	1		
5	Socket Countersunk Head screw M5x35	2	5 - 6	Use Liquid Thread Locker
6	Countersunk Washer M5	2		

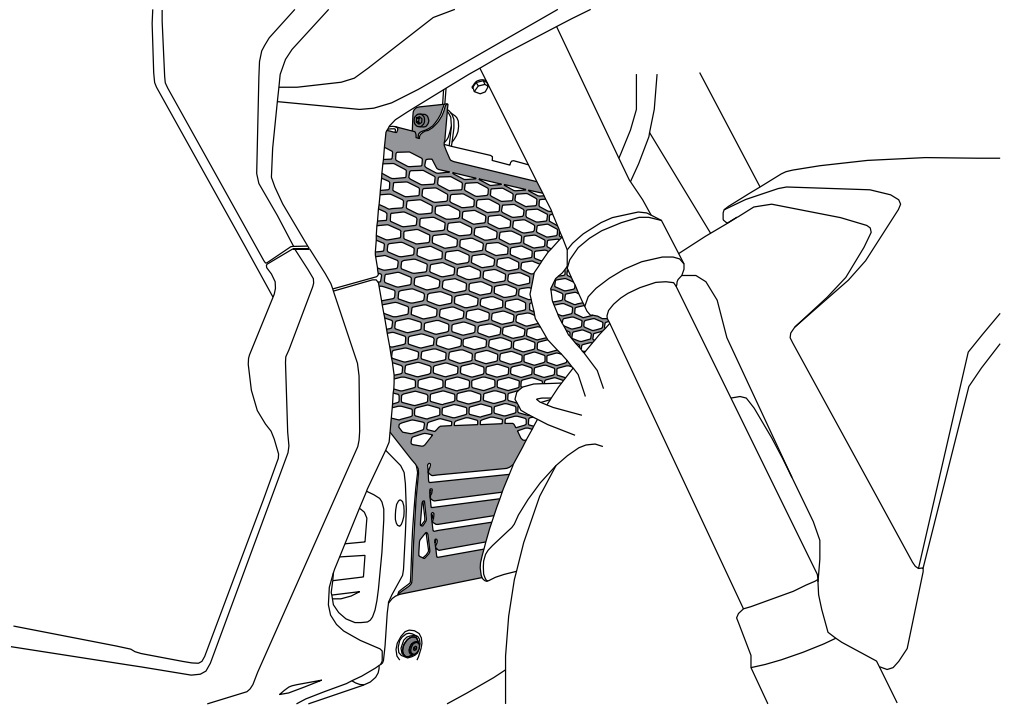
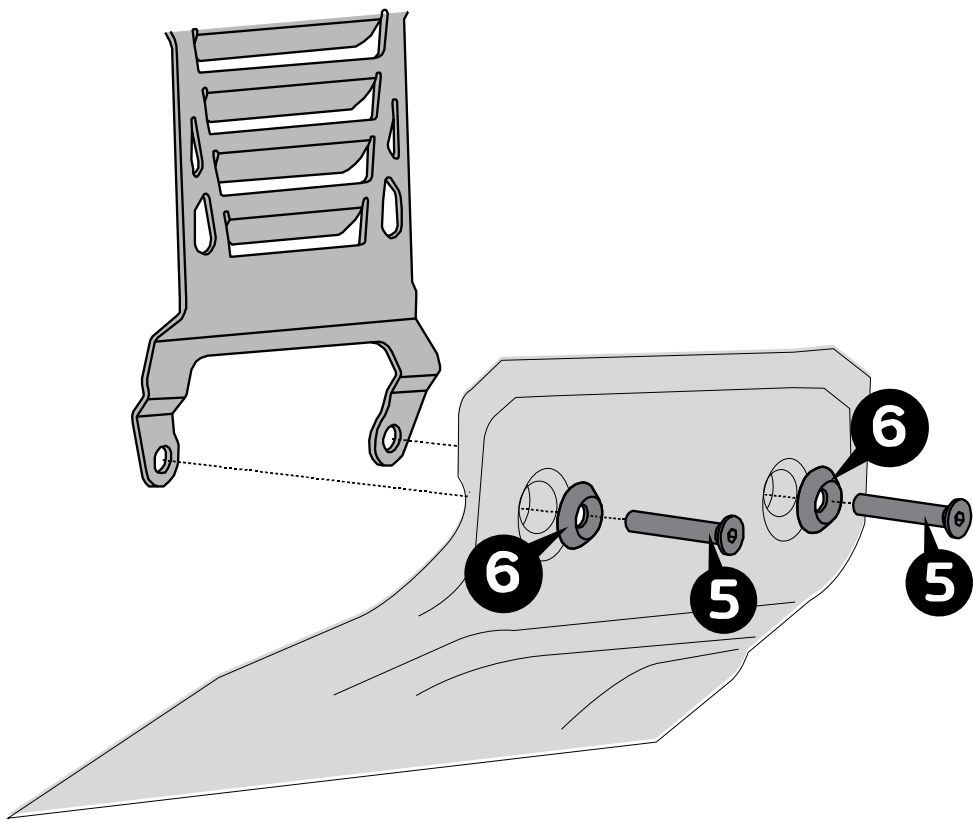
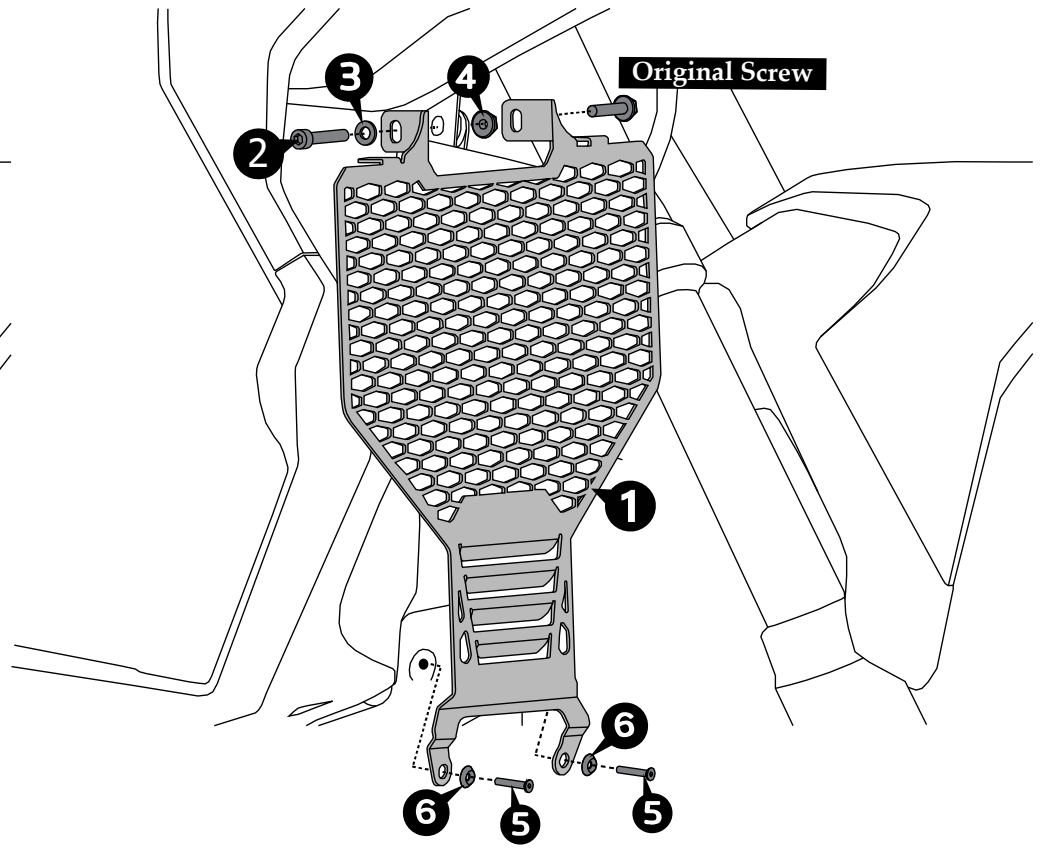
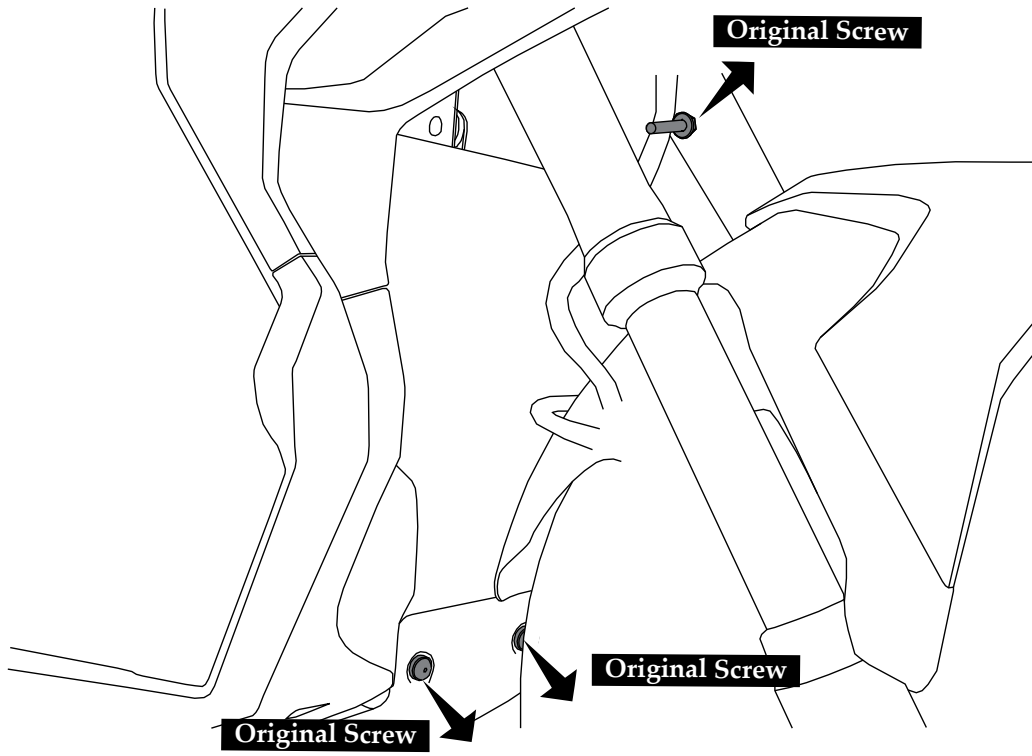
SRC Design uses Metric System of Measurement and all dimensions in Millimeters

\* Recommended to use the Torque specified in the table

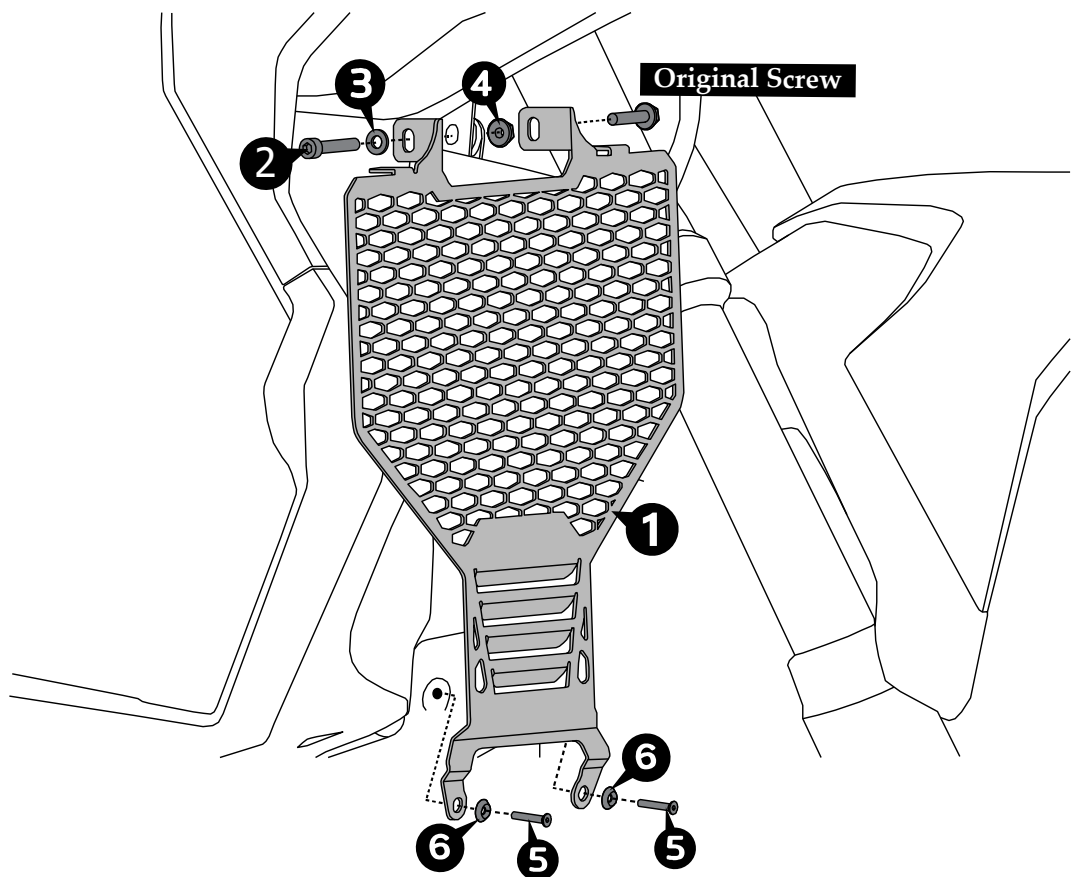
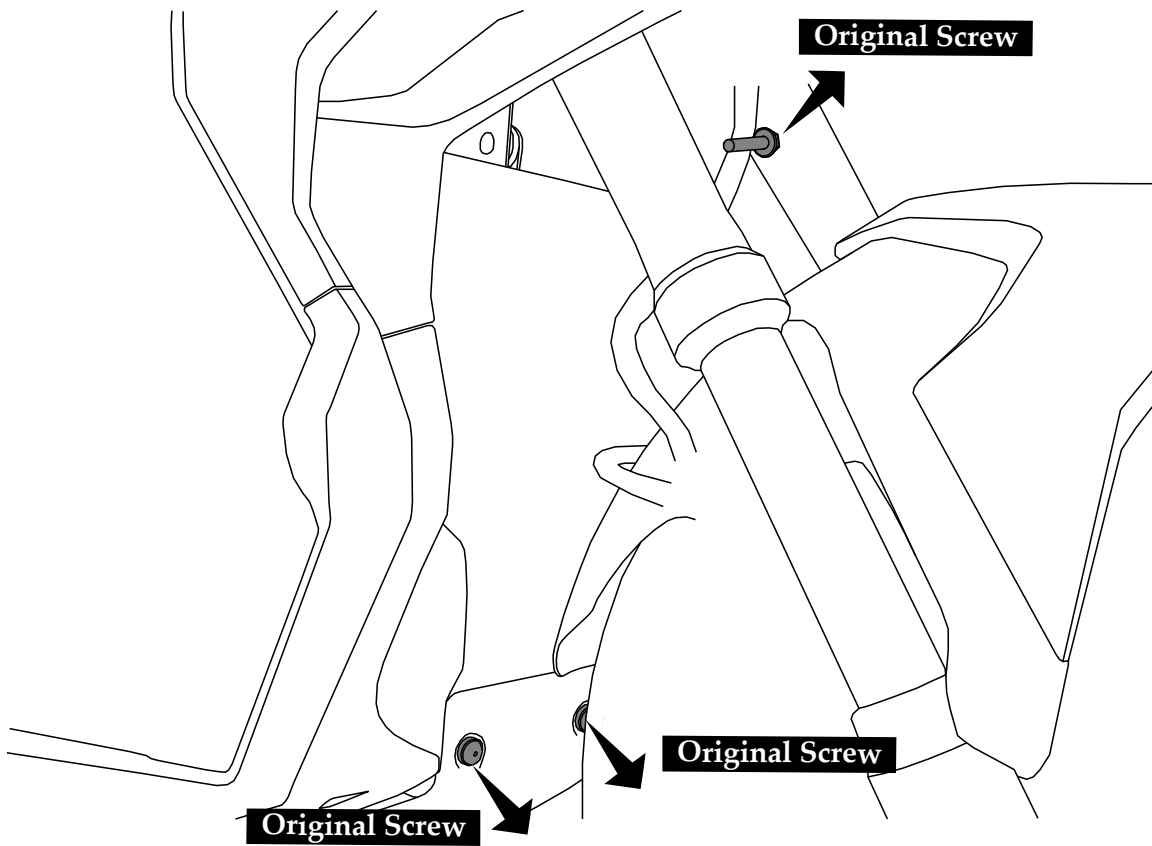
\*\* Denotes Usage of Liquid Thread Locker in specified Locations



# MOUNTING DRAWINGS



**Mounting Instructions**



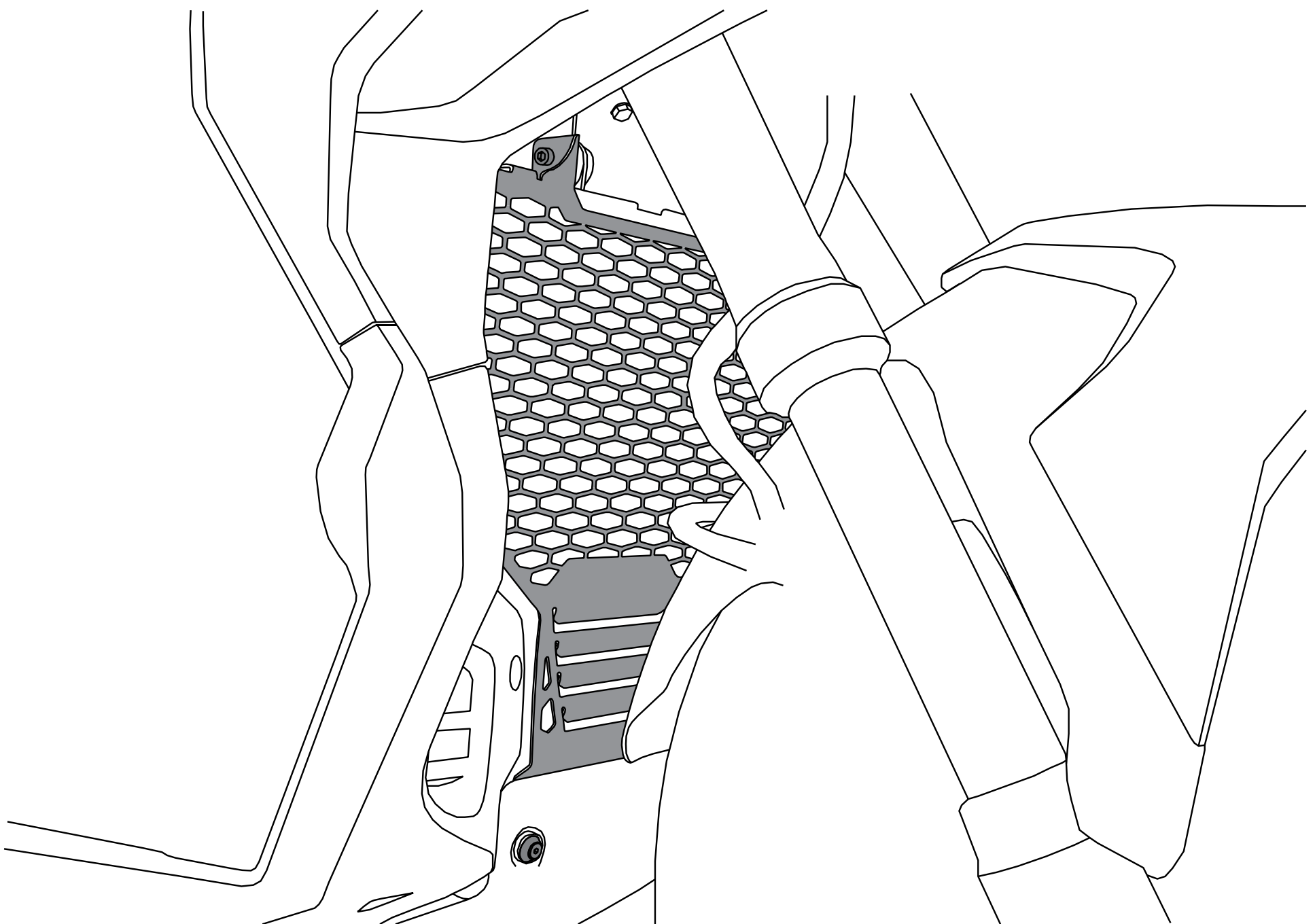
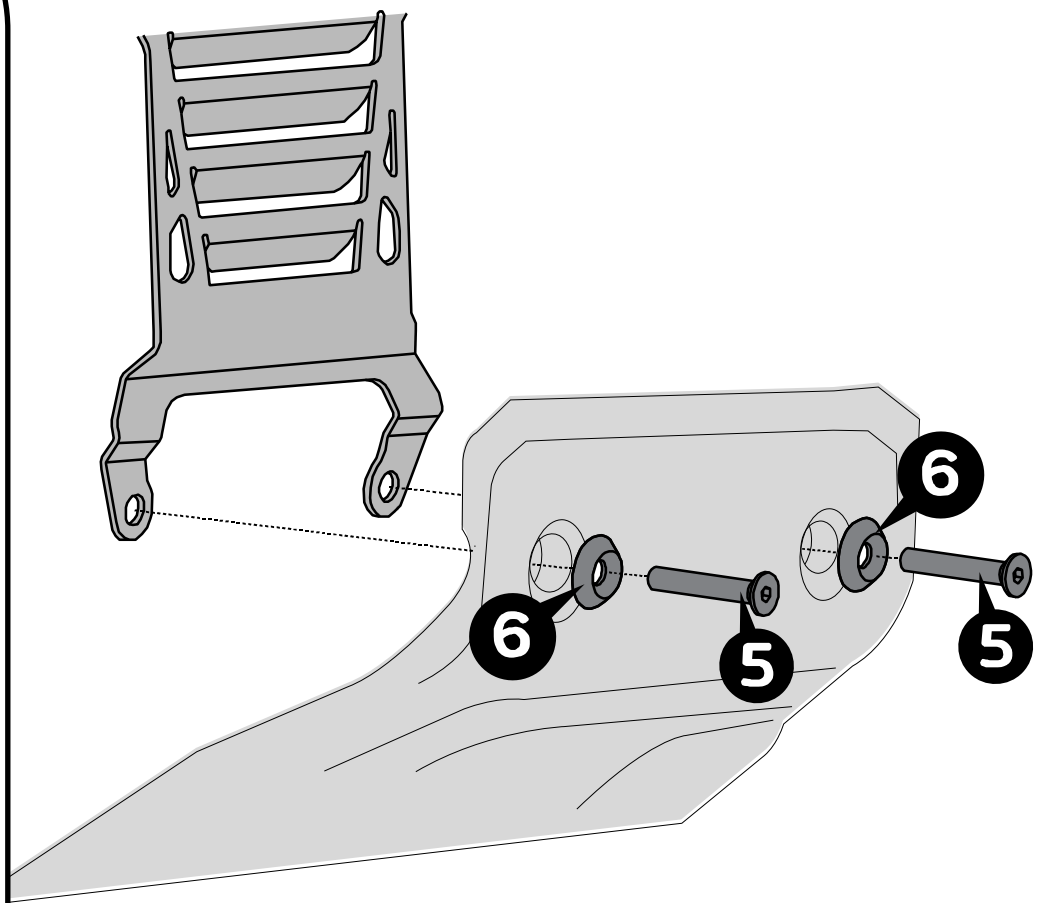
**Step 1:**

**Orient the Radiator Guard (1), as shown above, accessing it close to the Radiator and slip-in the M6 x 35 Screw (2) , Washer M6 (3) , and nut (4) through the Mounting hole in the Flap on top of the Guard, and pass it through the flap (OE) and tighten it.**

**Step 2:**

Slide-in the M5 x 35 Screw (5) and M5 Washer (6) – 2 off through the Shield at the bottom ( the Shield has to be removed for Orienting and Accessing the Radiator Guard, in-line with the two mounting holes at the bottom) and secure and tighten it to torque, as specified in the BOM table.

Final mounted condition of Radiator Guard, is as shown in the drawing.



## General Instructions

1. We request you to pay attention to the Mounting Instructions in this document and follow the step-by-step procedures.
2. This Mounting Instruction manual is a “Do It Yourself” (DIY) fitment manual of the Accessory part to the Vehicle. We have prepared this based on our experience and knowledge, related to the Vehicle, Part and its functional aspects.
3. SRC cannot guarantee the interchangeability of the parts to any other manufacturer’s accessory part. It is advised to the User, to inspect and ensure the original state of all other Vehicle parts.
4. We request you to bear in mind, that the Installed part can change the driving behaviour and/or the stability during driving or any other dynamic conditions.
5. If you have the appropriate tools and another person to assist you in the mounting, it will help.
6. After Completion of the Mounting and before taking on a First ride, Ensure and Check all functions of the Vehicle. It is always advised to check loosening of the fasteners after the first 50 kilo meters of ride and at regular intervals.
7. We are showing here the Scope of Supply/ Installation/Parts list & BOM from SRC
8. To the maximum extent possible, our design use the current Mounting/Fitment of the Original Equipment, so that Installation of these accessories will not affect the Payload or Function of the Vehicle or the Part on which it is mounted to protect it
9. If any additional modifications are to be done, prior to the fitment of the accessories, it will be explicitly specified in the instruction sheets.