

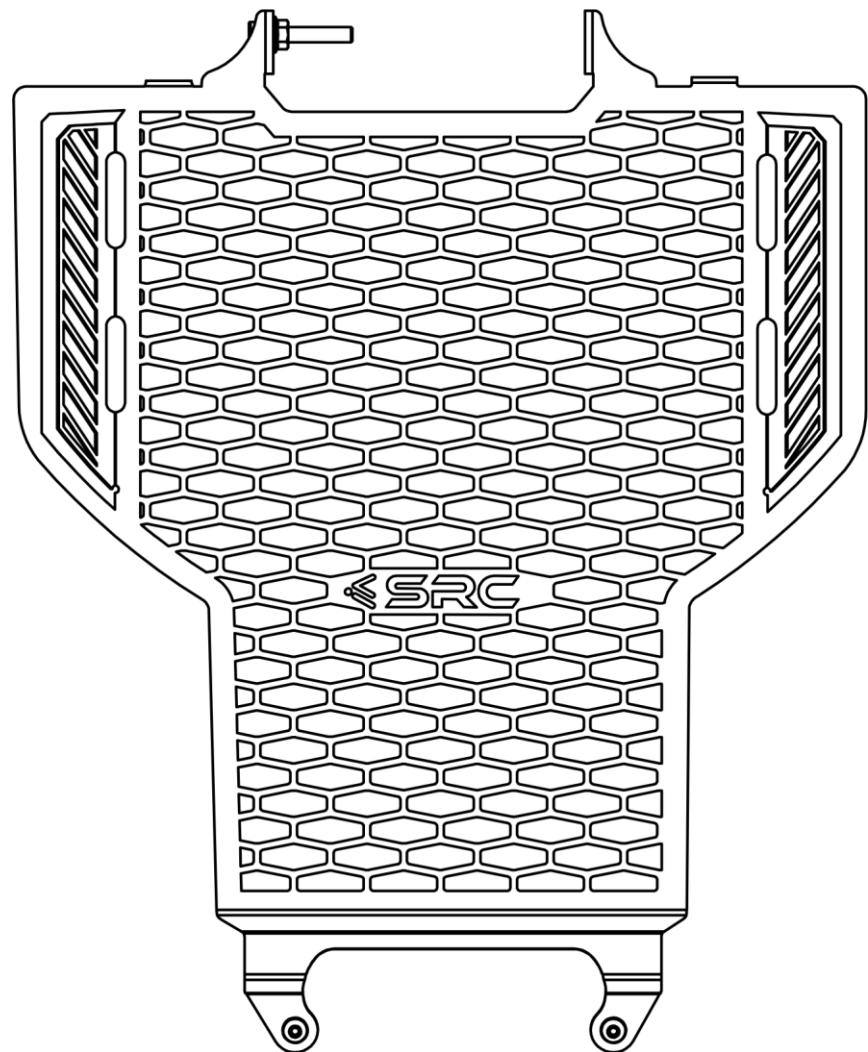
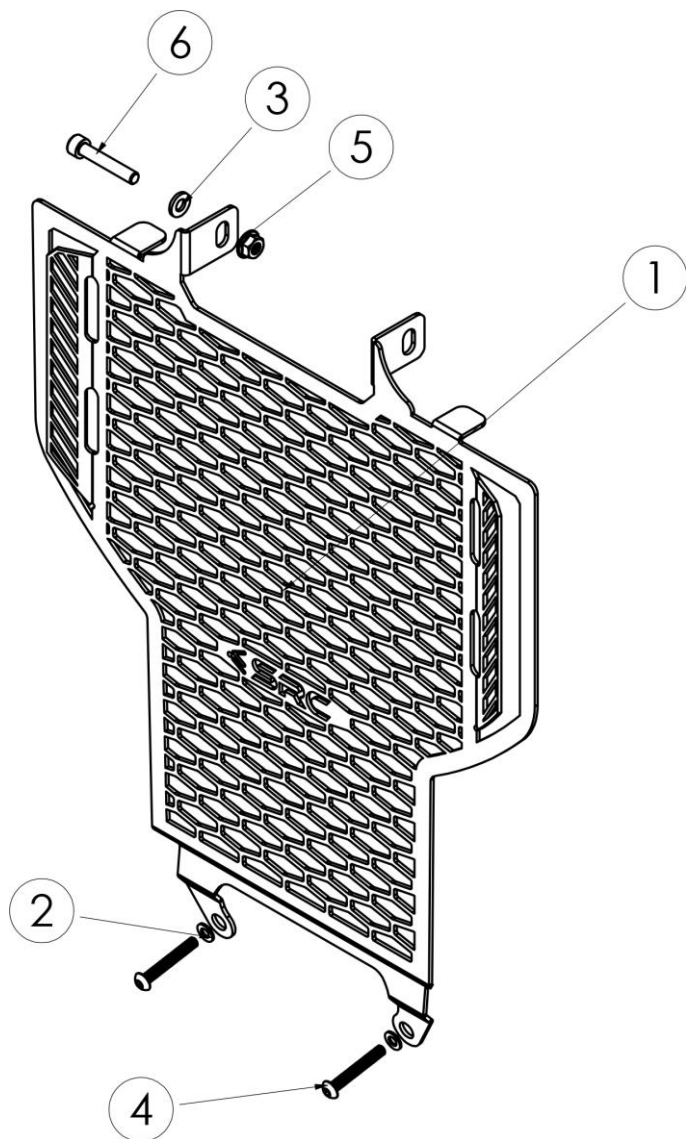
Scope of Supply/Bill of Material & Mounting Drawings

Part Number: H-X-ADV-02-01-SL / H-X-ADV-02-02

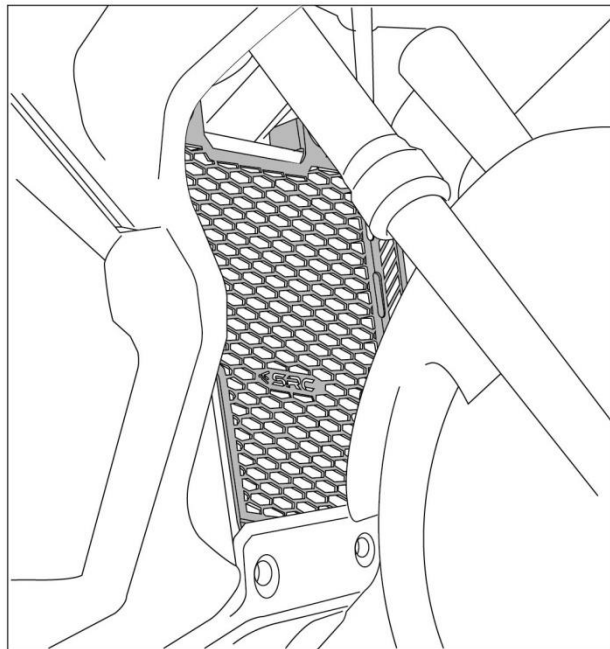
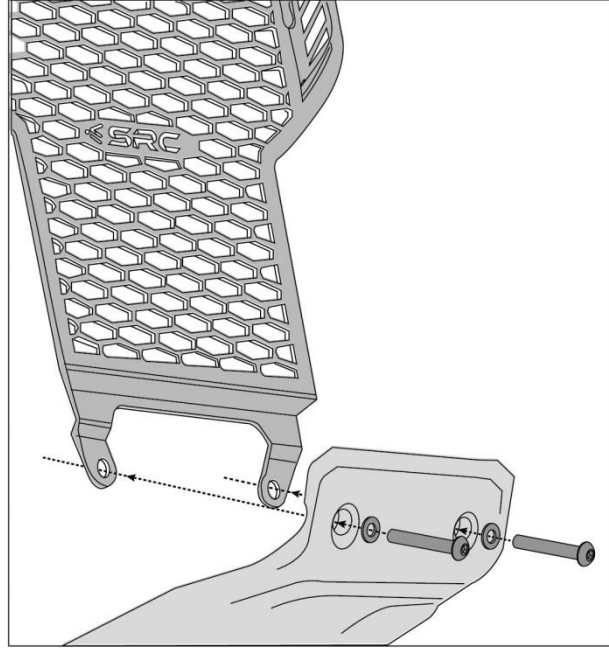
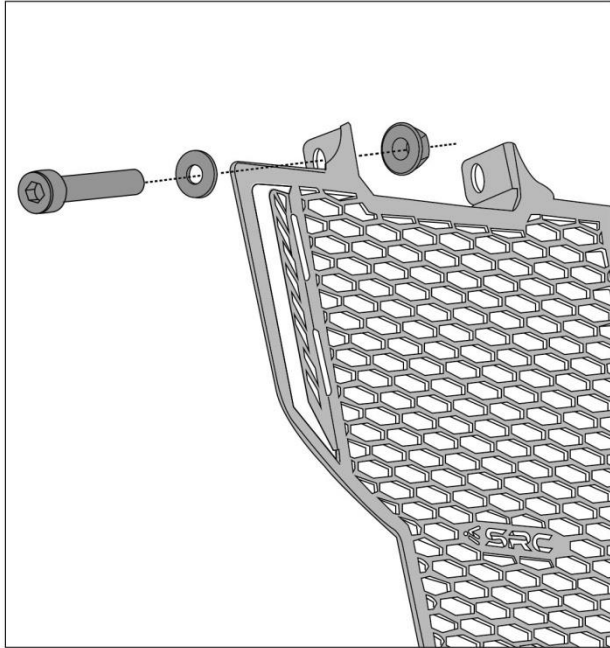
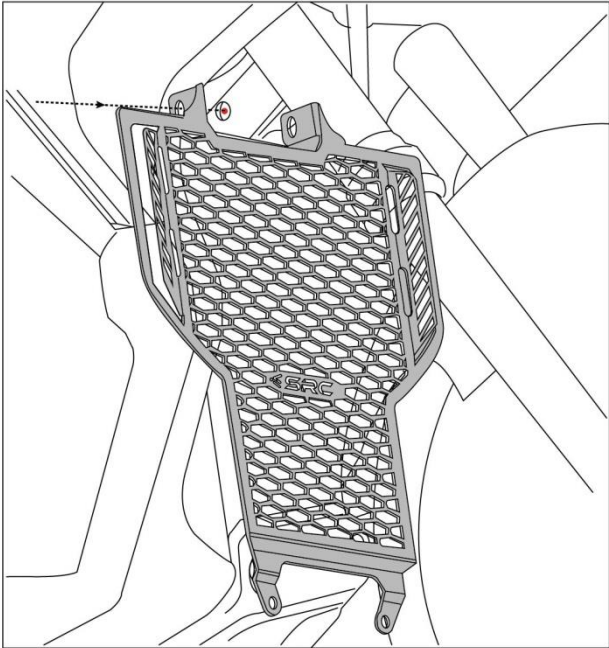
Part Description: Radiator Guard – HONDA X-ADV

Installation / Parts List / Bill of Material for Mounting

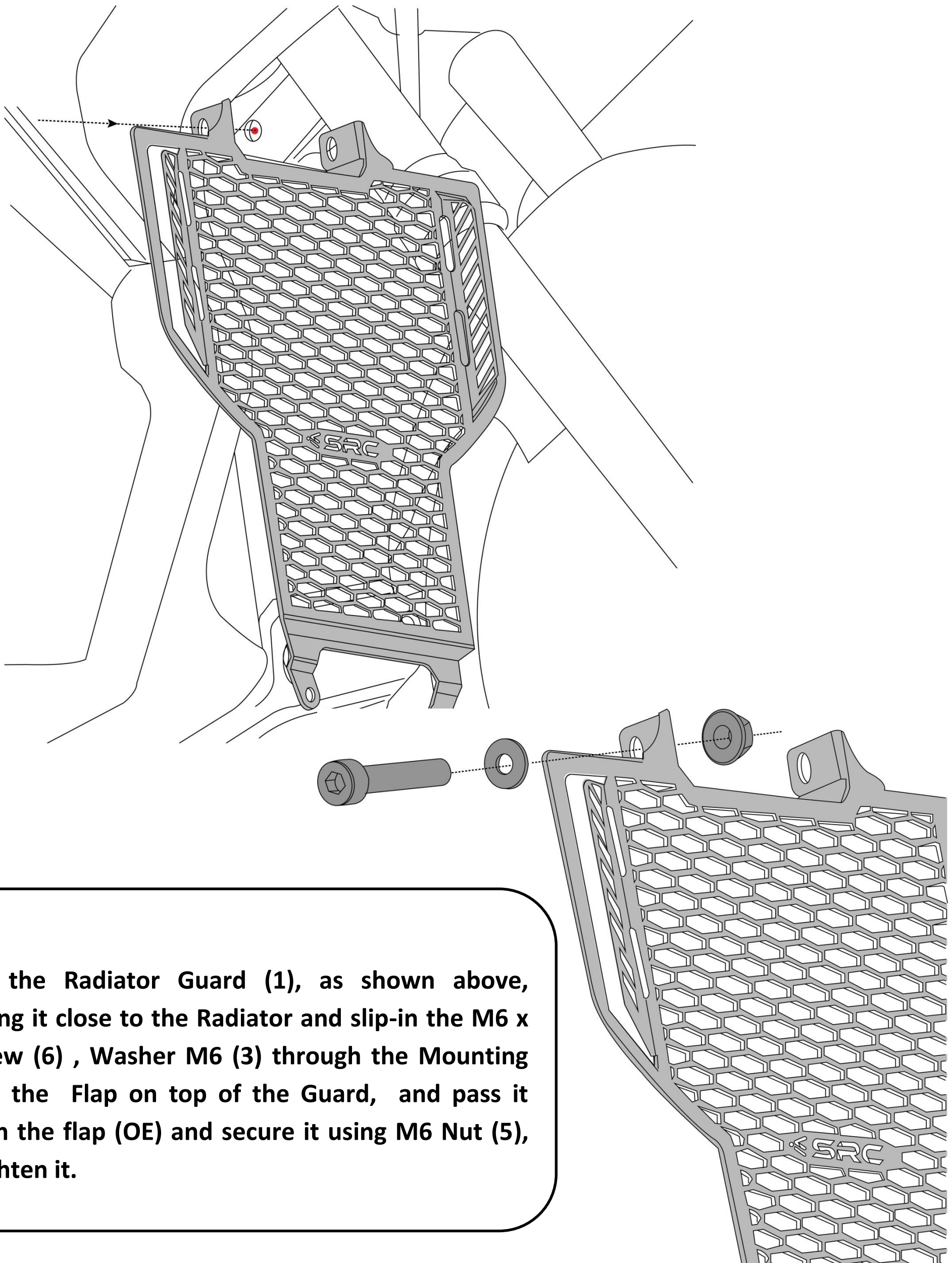
No.	Description	Quantity	Torque * (N-m)	Remarks **
1	Radiator Guard	1		
2	Washer M5	2		
3	M6 Washer	1		
4	M5 x 35 Screw	2	5-6	Use Liquid Thread Locker
5	Nut M6	1	8-10	Use Liquid Thread Locker
6	M6 x 35 Screw	1	8-10	Use Liquid Thread Locker
SRC Design uses Metric System of Measurement and all dimensions are in Millimeters				
* Recommended to use the Torque specified in the table				
** Denotes Usage of Liquid Thread Locker in specified locations				



MOUNTING DRAWINGS

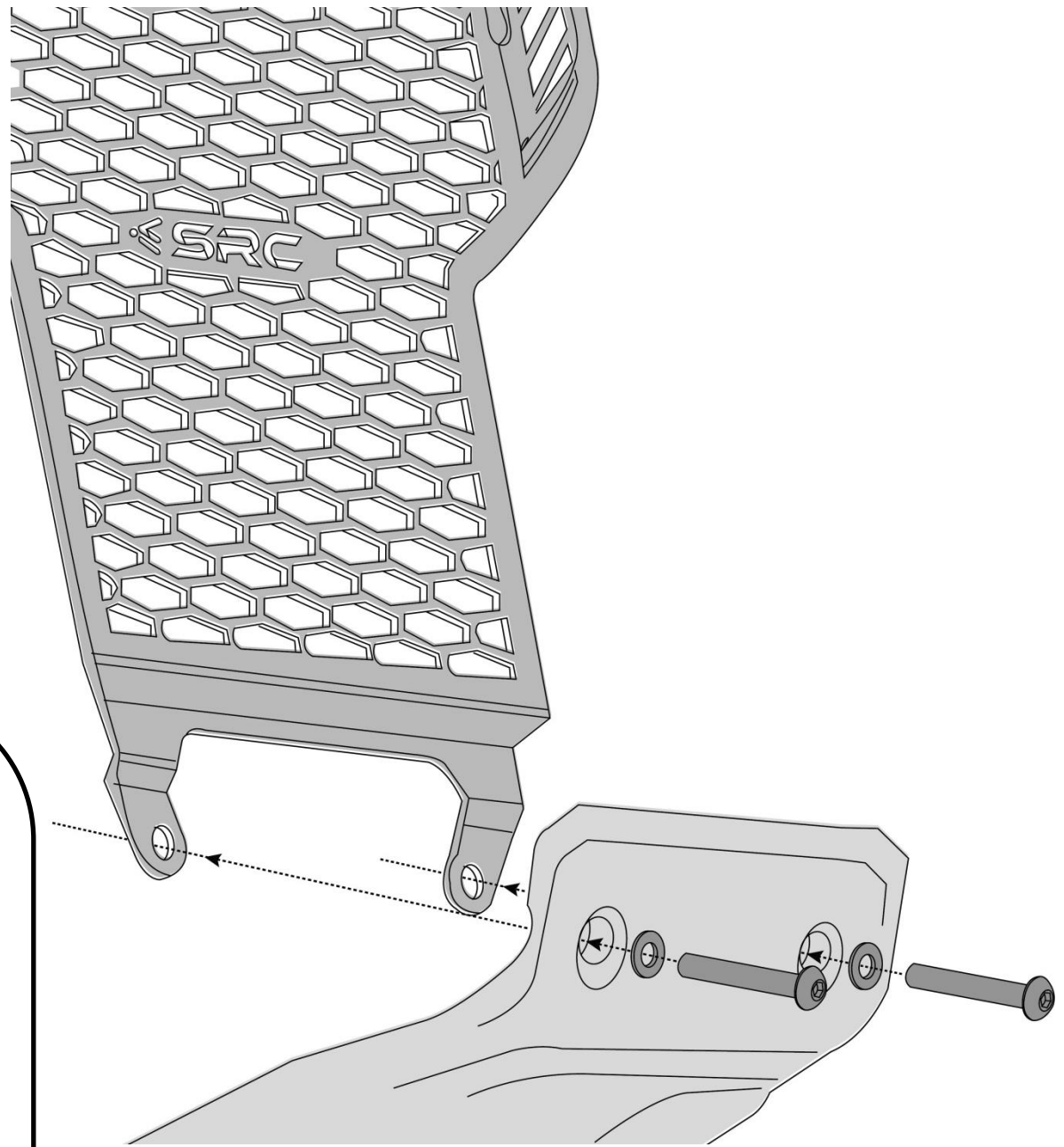


Mounting Instructions



Step 1:

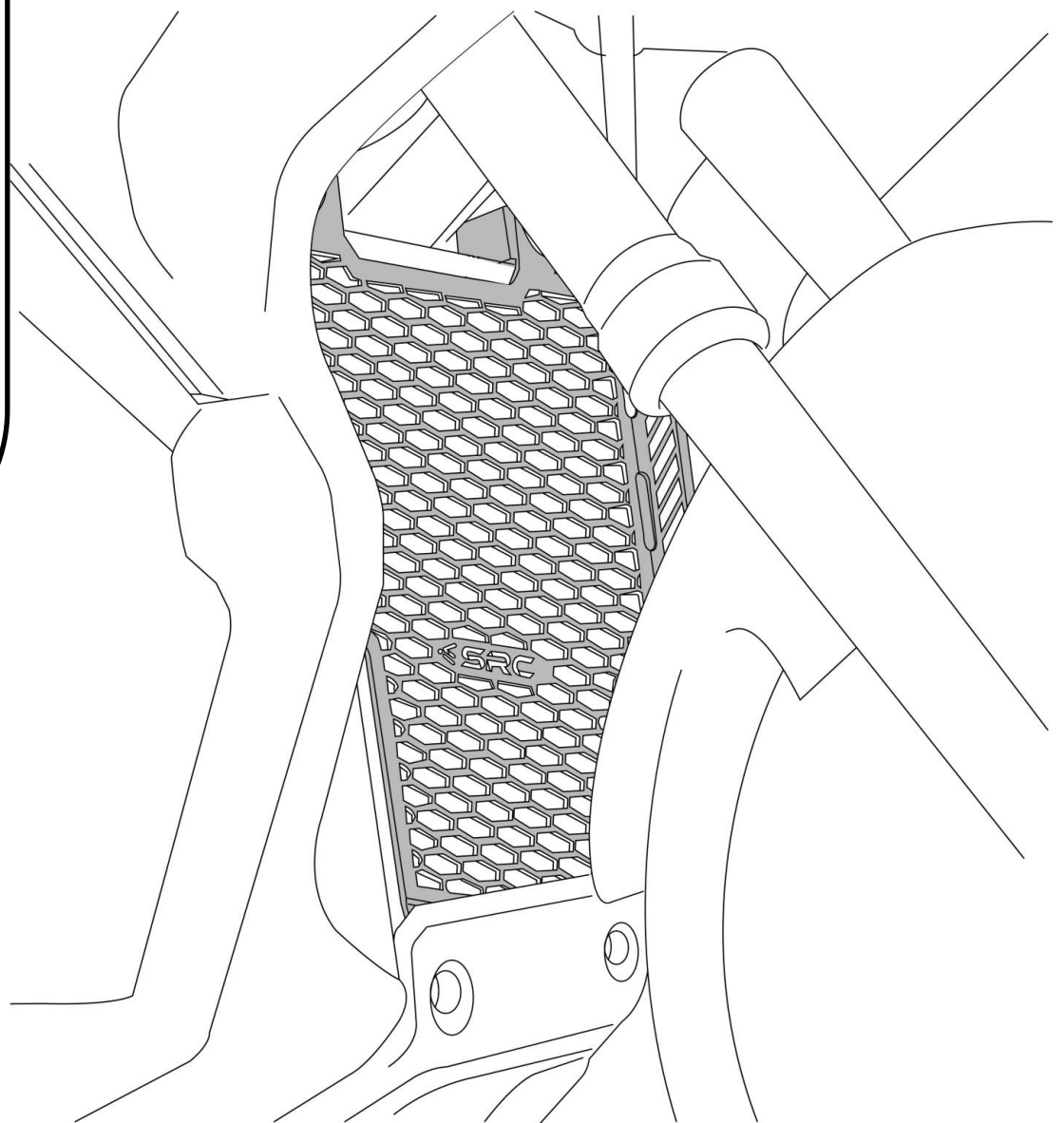
Orient the Radiator Guard (1), as shown above, accessing it close to the Radiator and slip-in the M6 x 35 Screw (6) , Washer M6 (3) through the Mounting hole in the Flap on top of the Guard, and pass it through the flap (OE) and secure it using M6 Nut (5), and tighten it.



Step 2:

Slide-in the M5 x 35 Screw (4) and M5 Washer (2) – 2 off through the Shield at the bottom (the Shield has to be removed for Orienting and Accessing the Radiator Guard, in-line with the two mounting holes at the bottom) and secure and tighten it to torque, as specified in the BOM table.

Final mounted condition of Radiator Guard, is as shown in the drawing.



General Instructions

1. We request you to pay attention to the Mounting Instructions in this document and follow the step-by-step procedures.
2. This Mounting Instruction manual is a “Do It Yourself” (DIY) fitment manual of the Accessory part to the Vehicle. We have prepared this based on our experience and knowledge, related to the Vehicle, Part and its functional aspects.
3. SRC cannot guarantee the interchangeability of the parts to any other manufacturer’s accessory part. It is advised to the User, to inspect and ensure the original state of all other Vehicle parts.
4. We request you to bear in mind, that the Installed part can change the driving behaviour and/or the stability during driving or any other dynamic conditions.
5. If you have the appropriate tools and another person to assist you in the mounting, it will help.
6. After Completion of the Mounting and before taking on a First ride, Ensure and Check all functions of the Vehicle. It is always advised to check loosening of the fasteners after the first 50 kilo meters of ride and at regular intervals.
7. We are showing here the Scope of Supply/ Installation/Parts list & BOM from SRC
8. To the maximum extent possible, our design use the current Mounting/Fitment of the Original Equipment, so that Installation of these accessories will not affect the Payload or Function of the Vehicle or the Part on which it is mounted to protect it
9. If any additional modifications are to be done, prior to the fitment of the accessories, it will be explicitly specified in the instruction sheets.