

## Scope of Supply/Bill of Material & Mounting Drawings

Part Number: H-CRF450RL-09-01-AL / H-CRF450RL-09-02-AL

Part Description: Engine Guard–HONDA CRF450RL

Applicable to Finished colour versions of Silver

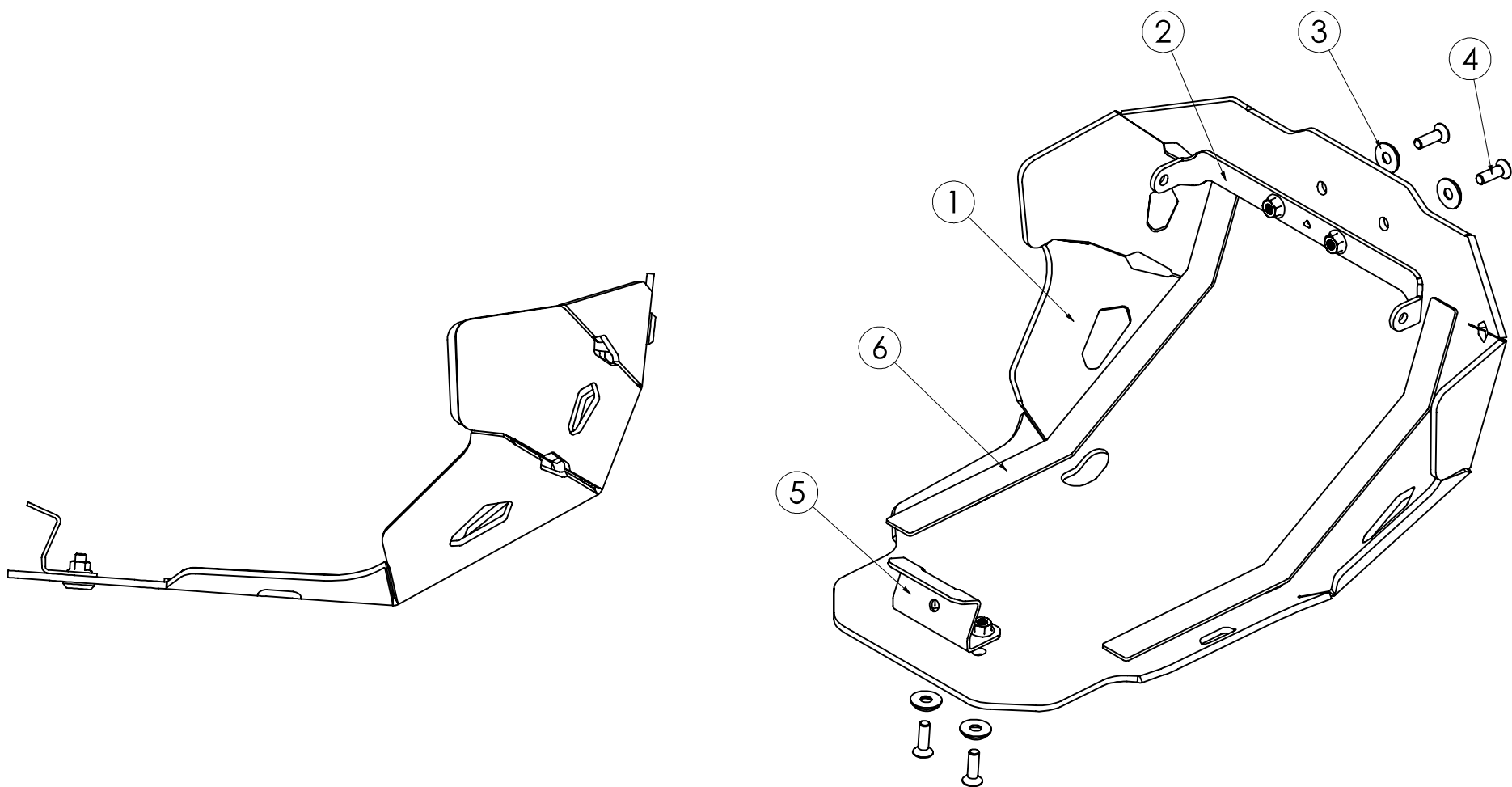
### Installation / Parts List / Bill of Material for Mounting

NO.	Description	Quantity	Torque * (N-M)	Remarks **
1	Skid Plate	1		
2	Ad H Skid Plate	1		
3	Taper Ring M6	2		
4	Screw M6x20	4	9.6	Use Liquid Thread Locker
5	Ad B Skin Plate	1		
6	Rubber Tape	2		

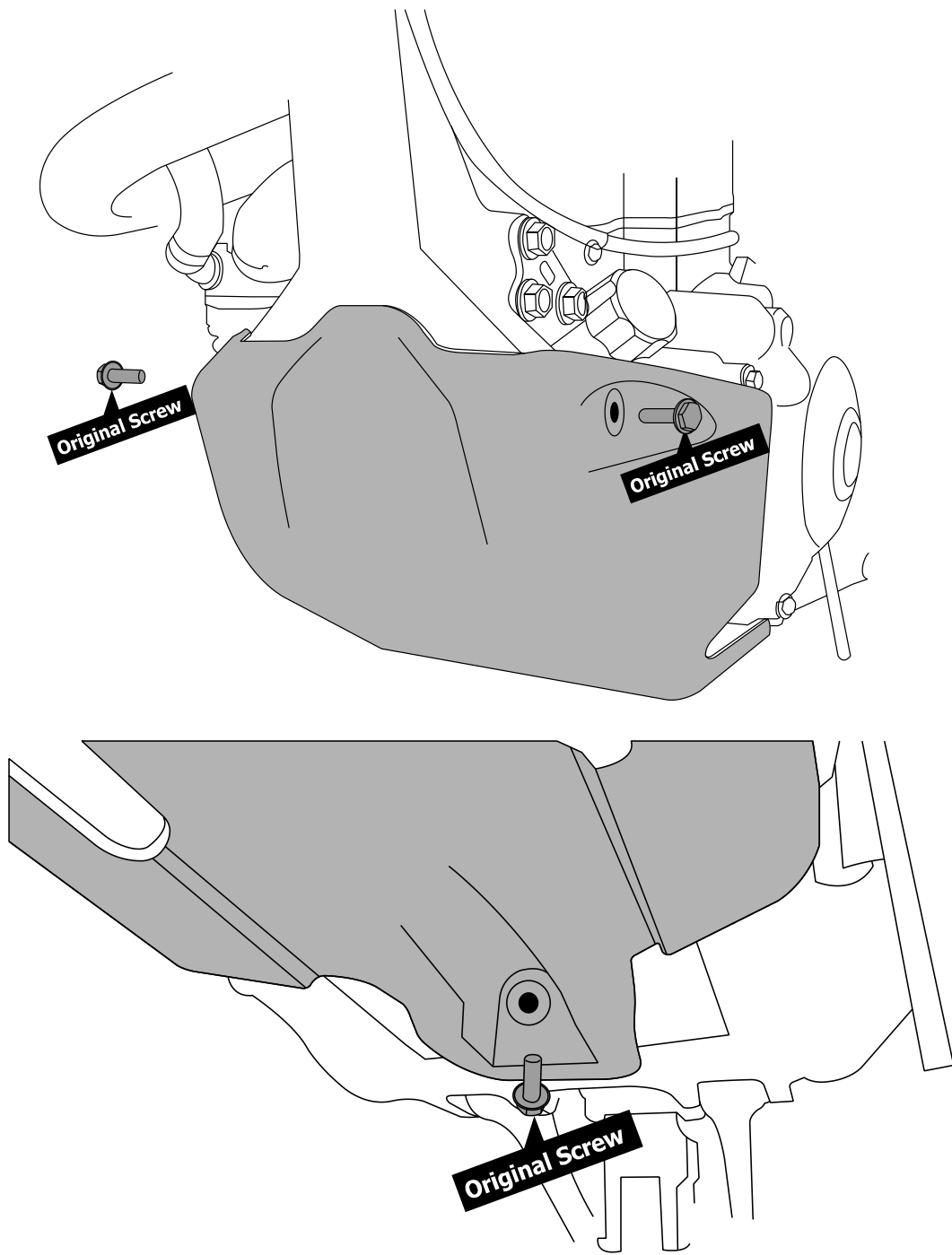
SRC Design uses Metric System of Measurement and all dimensions in Millimeters

\* Recommended to use the Torque specified in the table

\*\* Denotes Usage of Liquid Thread Locker in specified Locations



## Mounting Instructions



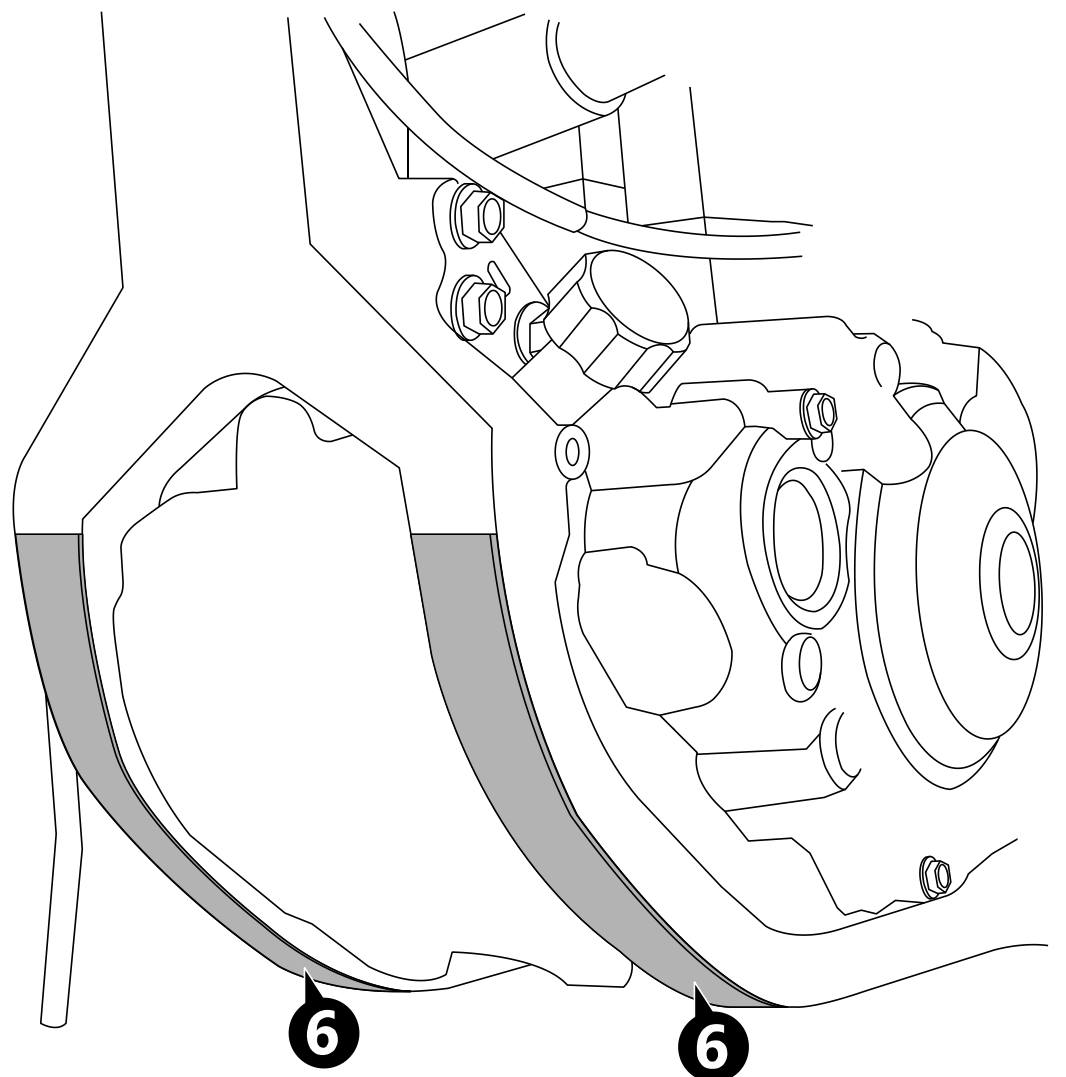
### Step 1:

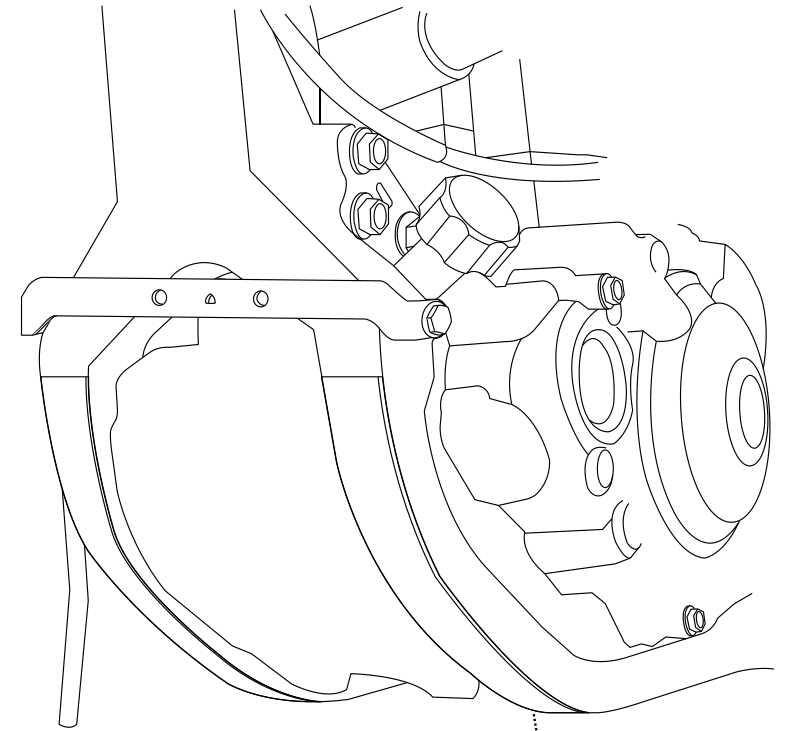
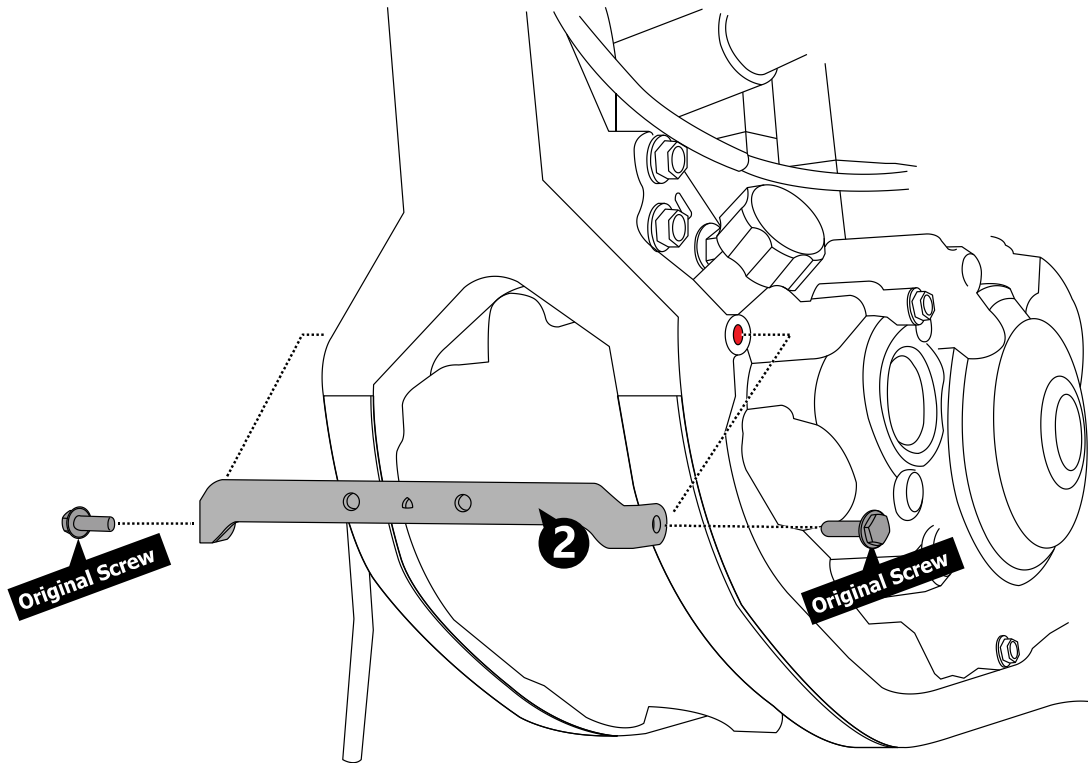
**Motorbike which shows the Three mounting holes (shown in Picture)**

**SRC Engine guard will use these Three mounting holes for fitment of Engine Guard.**

### Step 2:

**Mounting of Rubber Tape (6)**



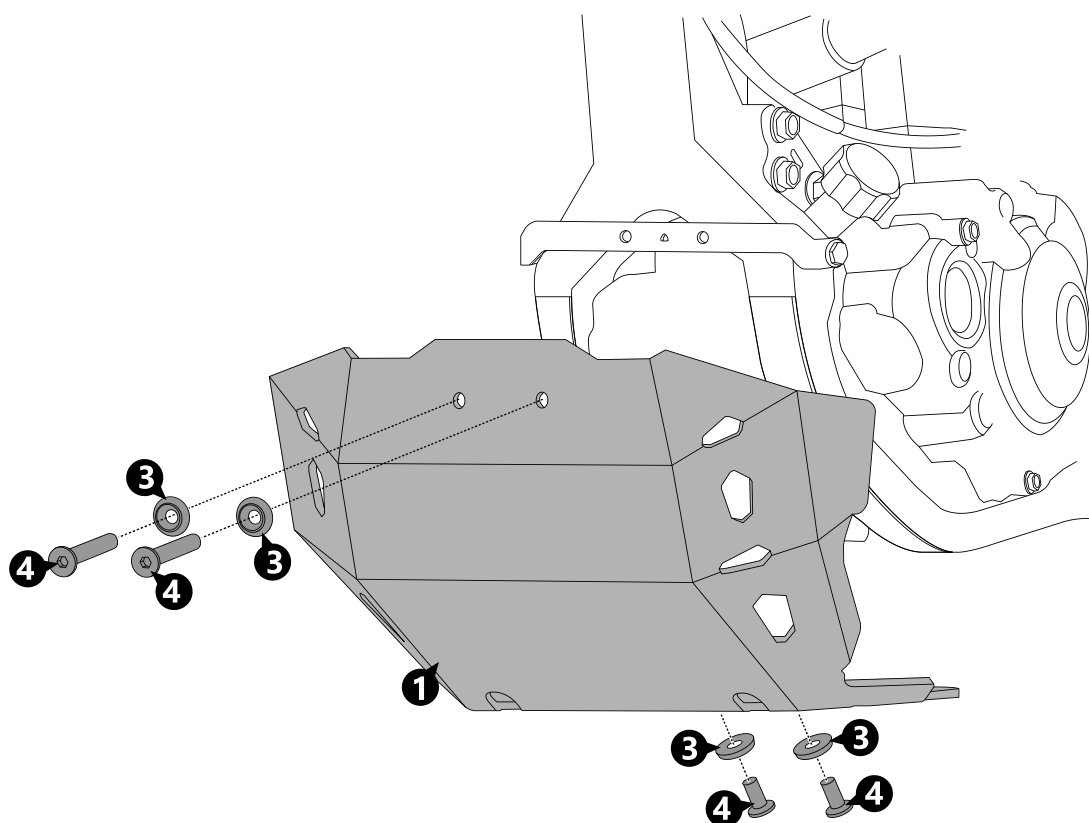
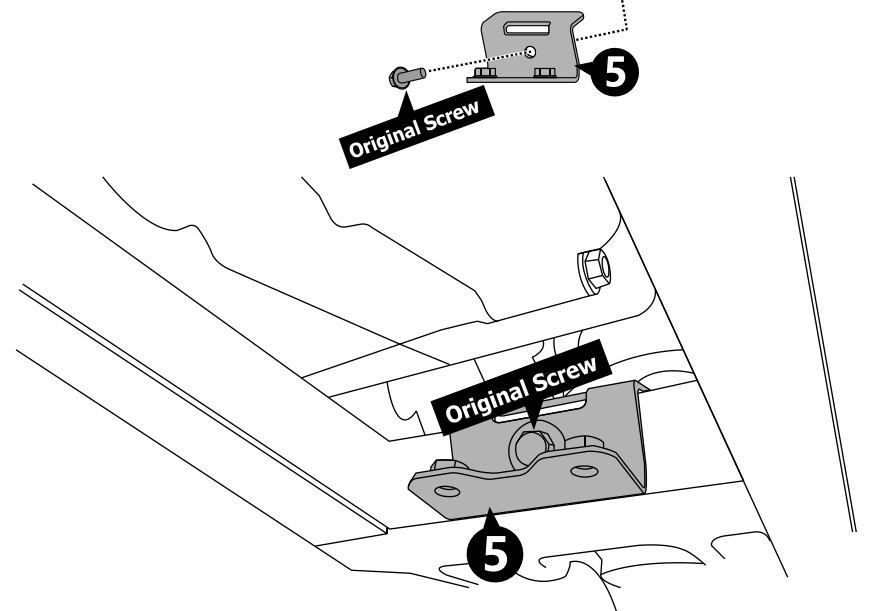


**Step 3:**

**Mounting of Front End Bracket (2)**

**Mounting of Rear End Bracket (5)**

**Orient the Rear End Bracket, as shown, and slip-in the Long Bolt (Original Equipment – already available in the Motorbike)**



**Step 4:**

**Mounting the Engine Guard**

**Orient the Engine Guard for mounting it to the Rear End Bracket, as shown.**

**Slip-in the Taper Ring (3) – 2 off and M6 x 20 Screw (4) – 2 off, as shown.**

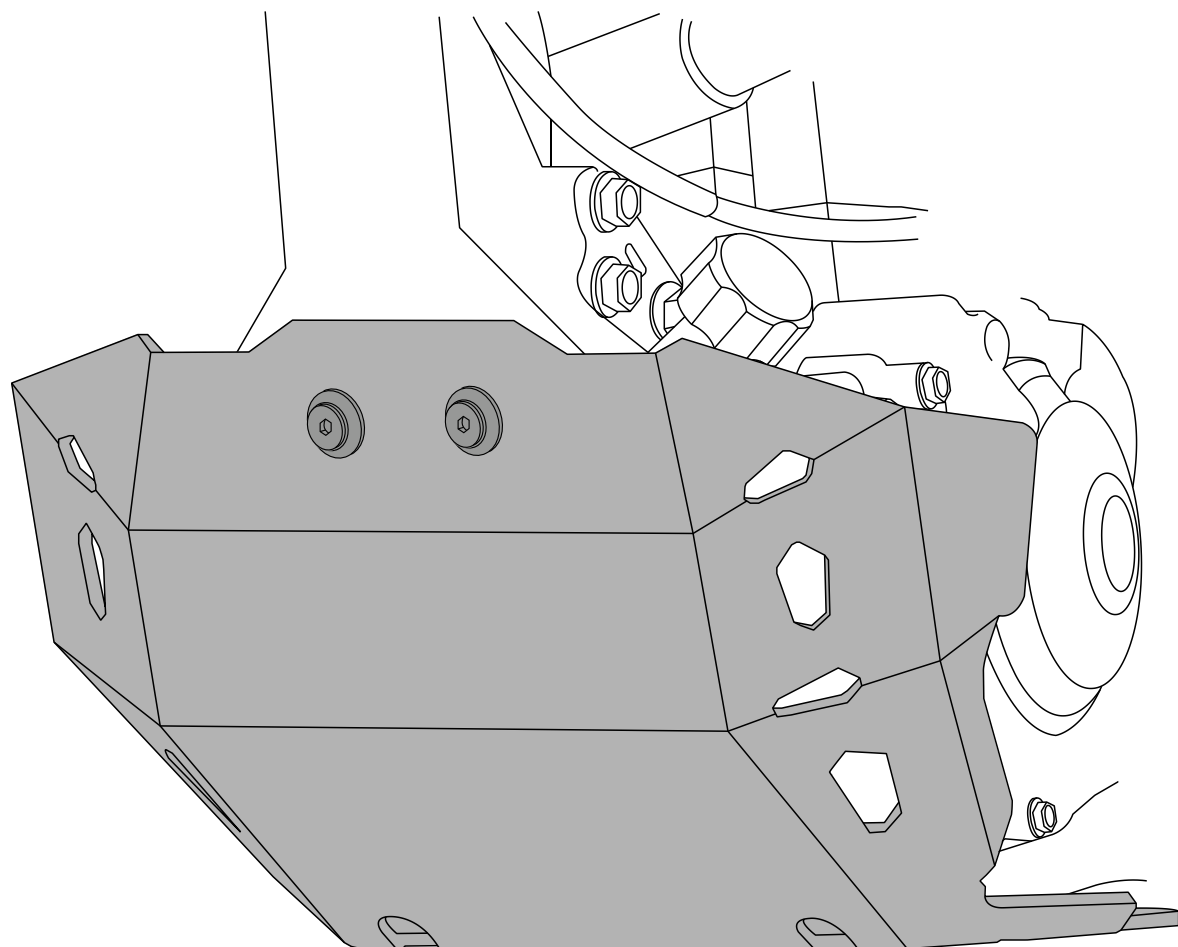
**Mounting the Engine Guard from the frontal end**

**Slip-in the Taper Ring (3) – 2 off and M6 x 20 Screw (4) – 2 off, as shown.**

### **Step 5:**

**Ensure Orientation, Mounting Symmetry of the Engine Guard from the frontal side and tighten the fasteners to torque as specified in the BOM table**

**The Engine Guard “As is final Mounted Condition”**



## **General Instructions**

1. We request you to pay attention to the Mounting Instructions in this document and follow the step-by-step procedures.
2. This Mounting Instruction manual is a “Do It Yourself” (DIY) fitment manual of the Accessory part to the Vehicle. We have prepared this based on our experience and knowledge, related to the Vehicle, Part and its functional aspects.
3. SRC cannot guarantee the interchangeability of the parts to any other manufacturer’s accessory part. It is advised to the User, to inspect and ensure the original state of all other Vehicle parts.
4. We request you to bear in mind, that the Installed part can change the driving behaviour and/or the stability during driving or any other dynamic conditions.
5. If you have the appropriate tools and another person to assist you in the mounting, it will help.
6. After Completion of the Mounting and before taking on a First ride, Ensure and Check all functions of the Vehicle. It is always advised to check loosening of the fasteners after the first 50 kilo meters of ride and at regular intervals.
7. To the maximum extent possible, our design use the current Mounting/Fitment of the Original Equipment, so that Installation of these accessories will not affect the Payload or Function of the Vehicle or the Part on which it is mounted to protect it
8. If any additional modifications are to be done, prior to the fitment of the accessories, it will be explicitly specified in the instruction sheets