

Scope of Supply/Bill of Material & Mounting Drawings

Part Number: H-CRF300L-04-01-AL / H-CRF450RL-04-02-AL / H-CRF450RL-04-03-AL

Part Description Top Rack–HONDA CRF 450 RL

Applicable to Finished colour versions of Black

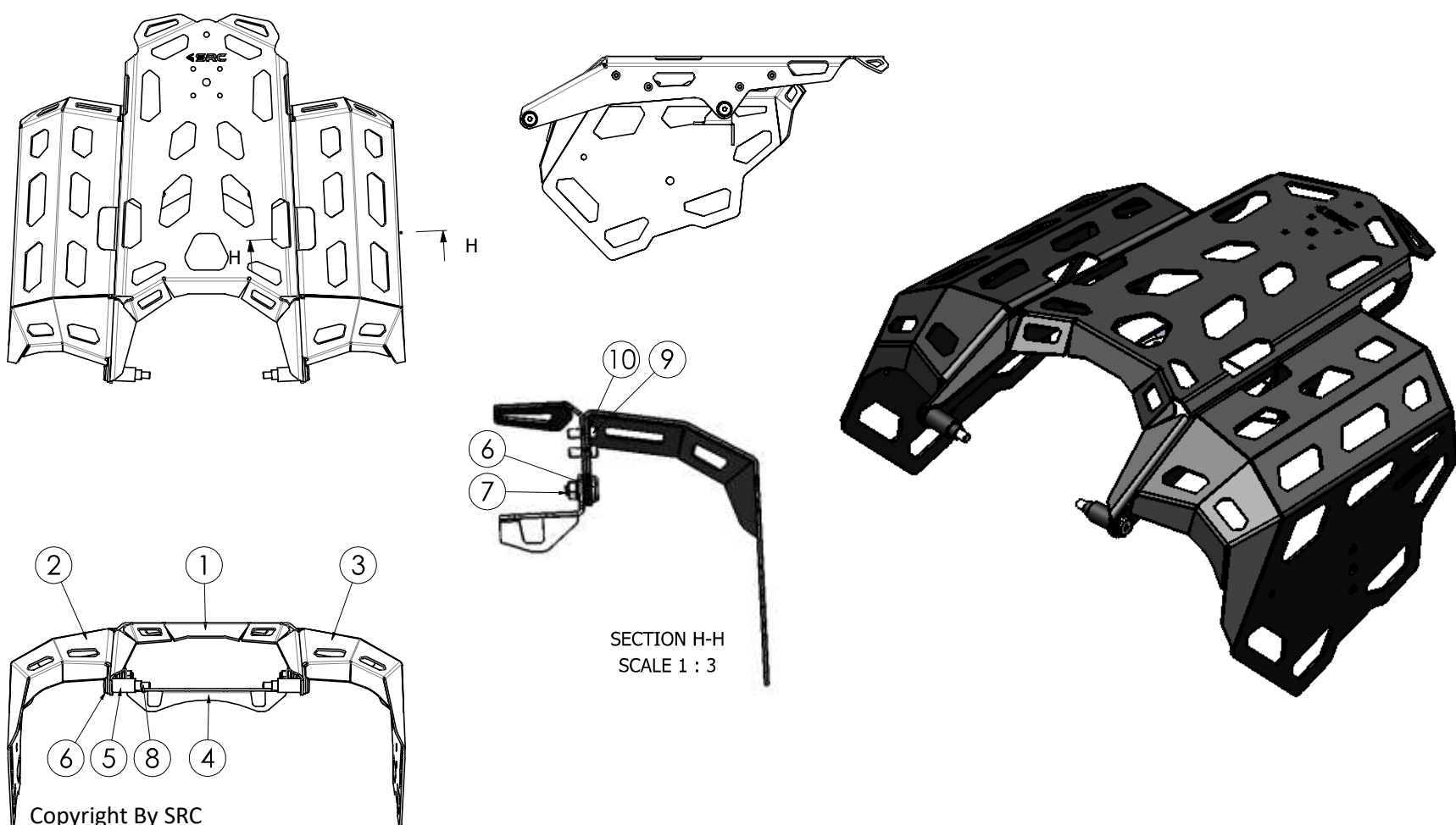
Installation / Parts List / Bill of Material for Mounting

NO.	Description	Quantity	Torque * (N-M)	Remarks **
1	Top Rack	1		
2	Rack RH	1		
3	Rack LH	1		
4	Support Top Rack	1		
5	Bush 18 x 38	2		
6	Nut plate	2		
7	Flank nut	1		
8	Cap lock	1		
9	Plastic Knobs	1		
10	Oil Tank 3 Liter	1		
11	Countersunk Washer M8	4		
12	Socket countersunk head Screw M5 x 15	4	5.5	Use Liquid Thread Locker
13	Socket countersunk head Screw M8 x 25	2	23	Use Liquid Thread Locker
14	Socket countersunk head Screw M8 x 60	2	23	Use Liquid Thread Locker
15	Socket head cap Screw M5 x 15	8	5.5	Use Liquid Thread Locker
16	Washer M5	8		

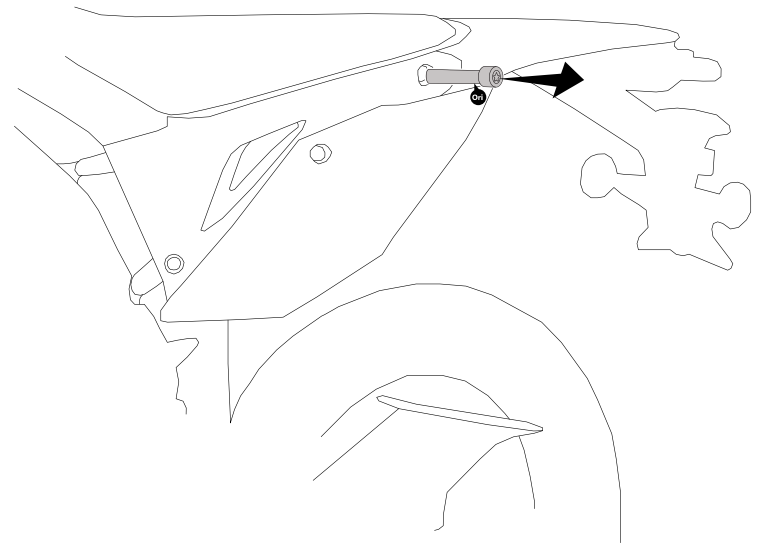
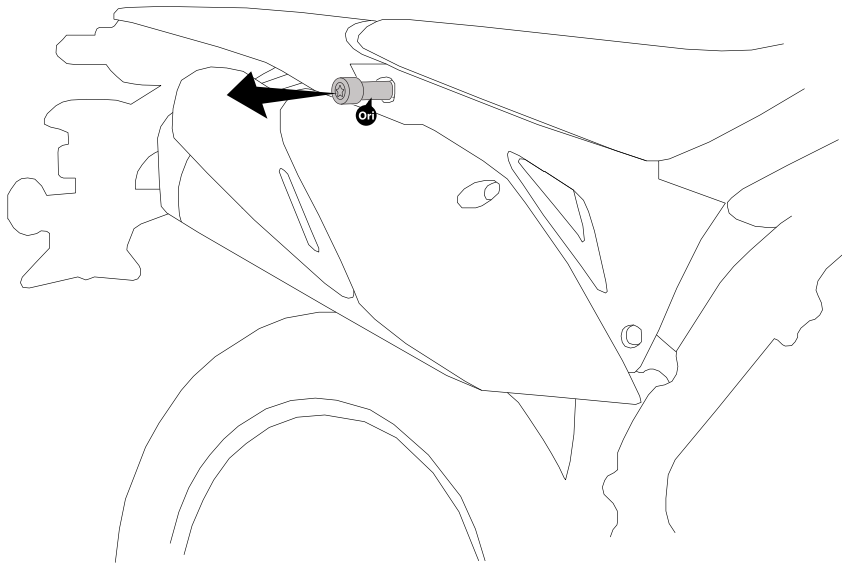
SRC Design uses Metric System of Measurement and all dimensions in Millimeters

* Recommended to use the Torque specified in the table

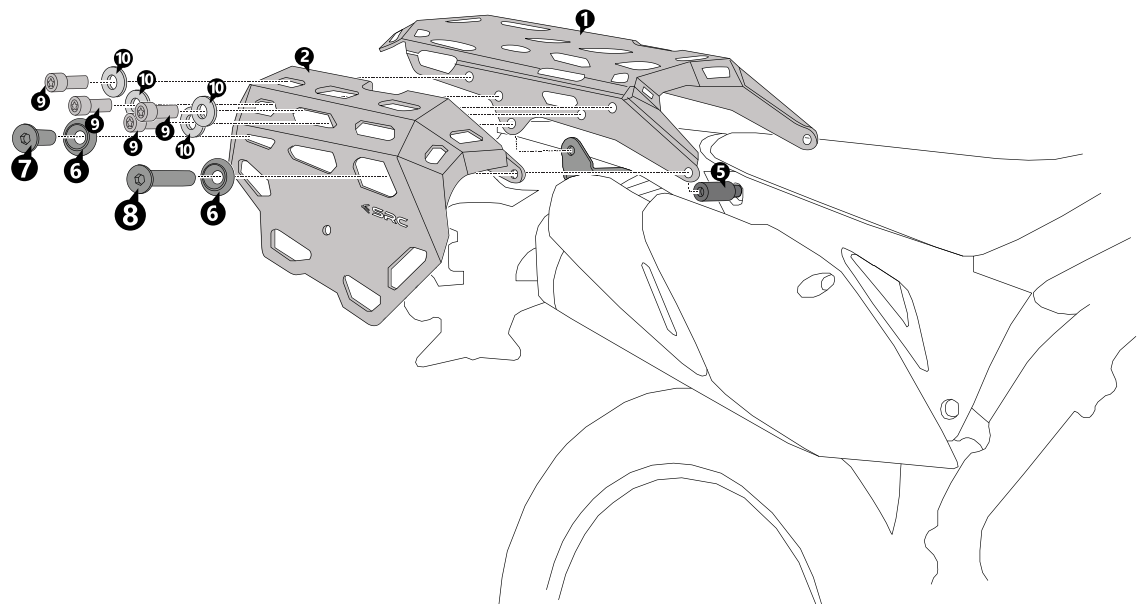
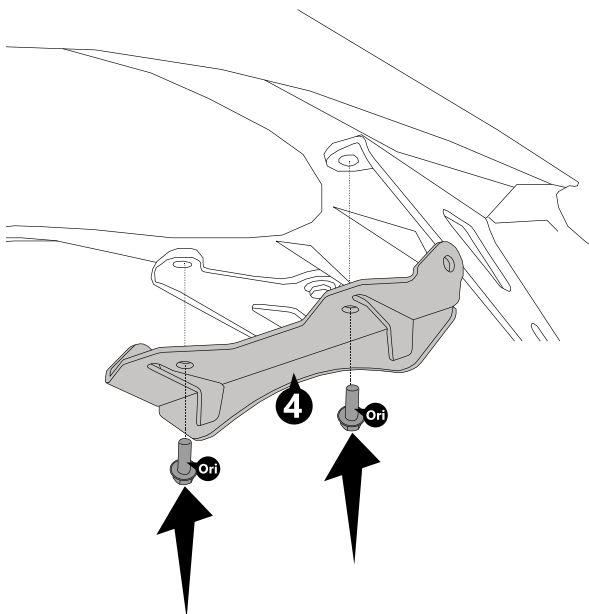
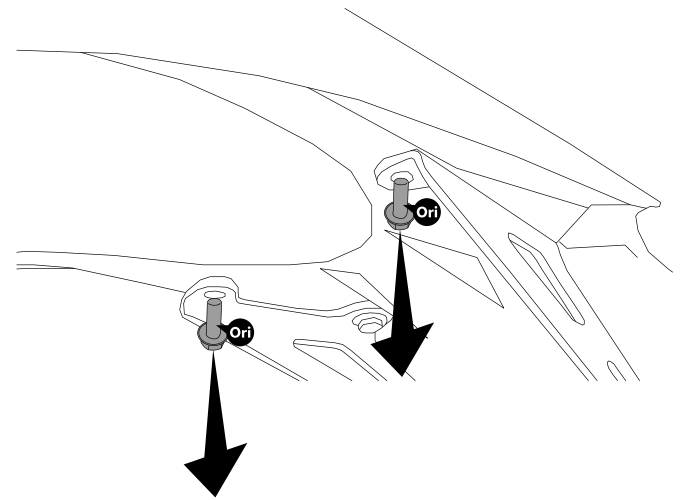
** Denotes Usage of Liquid Thread Locker in specified Locations



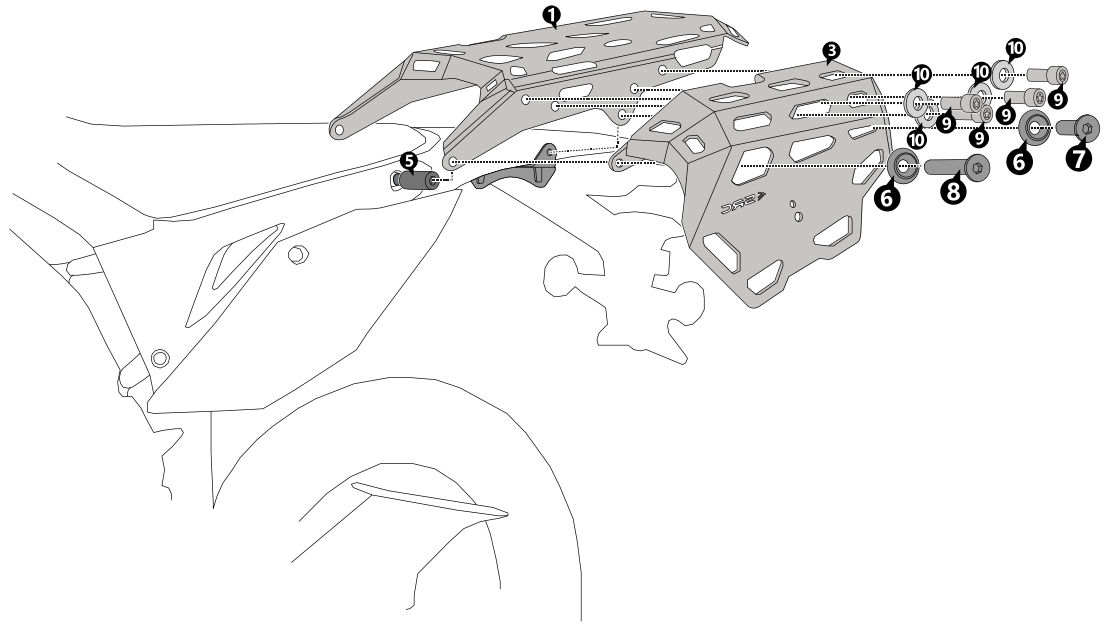
Mounting Instruction



Step 1:
Before starting to mount the Top Rack we can remove the original screw in motorbike (as show)

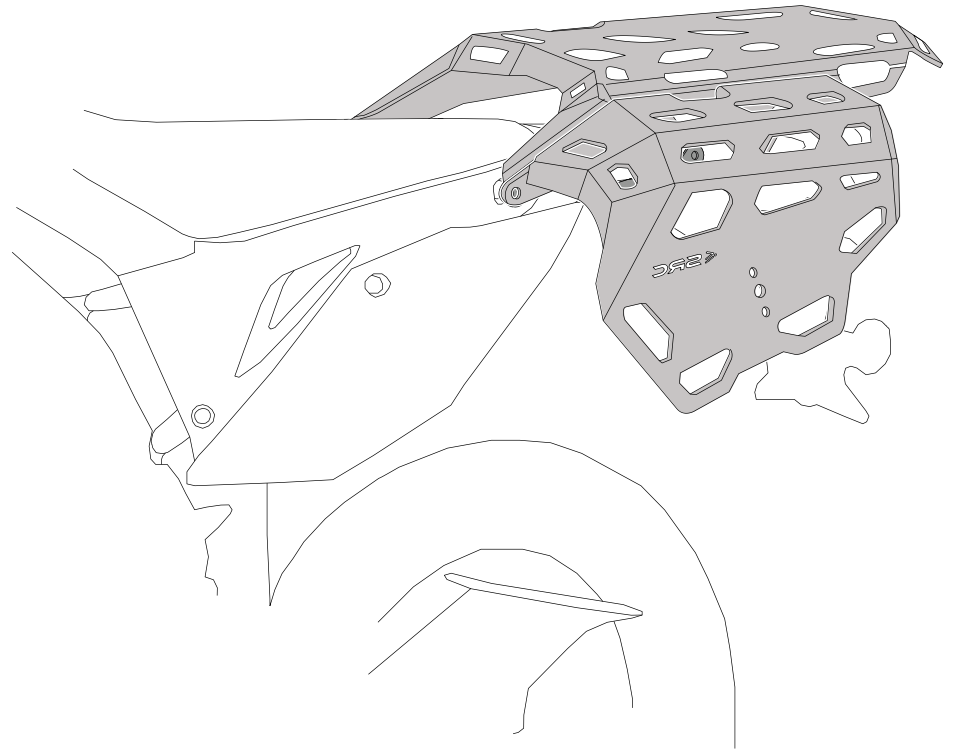


Step 3:
Orient and Align the Top Rack (1), as shown, Slip-in the Bush Spacer 18 x 38 mm (5) – 1 off between the Mounting hole front side and Slip-in Screw M8 x 60 (14) – 1 off and Taper Ring M8 (11) – 1 off , Slip-in Screw M8 x 25 (13) – 1 off and Taper Ring M8 (11) – 1 off, and slip-in the screw M5 x 15 (12) - 4 off , washer M5 (16) - 4 off ,through the holes and secure the threads.



Step 4:

**Repeat the above step
for the other side to
secure the threads.**





General Instructions

1. We request you to pay attention to the Mounting Instructions in this document and follow the step-by-step procedures.
2. This Mounting Instruction manual is a “Do It Yourself” (DIY) fitment manual of the Accessory part to the Vehicle. We have prepared this based on our experience and knowledge, related to the Vehicle, Part and its functional aspects.
3. SRC cannot guarantee the interchangeability of the parts to any other manufacturer’s accessory part. It is advised to the User, to inspect and ensure the original state of all other Vehicle parts.
4. We request you to bear in mind, that the Installed part can change the driving behaviour and/or the stability during driving or any other dynamic conditions.
5. If you have the appropriate tools and another person to assist you in the mounting, it will help.
6. After Completion of the Mounting and before taking on a First ride, Ensure and Check all functions of the Vehicle. It is always advised to check loosening of the fasteners after the first 50 kilo meters of ride and at regular intervals.
7. We are showing here the Scope of Supply/ Installation/Parts list & BOM from SRC
8. To the maximum extent possible, our design use the current Mounting/Fitment of the Original Equipment, so that Installation of these accessories will not affect the Payload or Function of the Vehicle or the Part on which it is mounted to protect it
9. If any additional modifications are to be done, prior to the fitment of the accessories, it will be explicitly specified in the instruction sheets