

**Scope of Supply/Bill of Material & Mounting Drawings**

Part Number: H-CRF250L-02-01-SL / H-CRF250L-02-02

Part Description: Radiator Guard – HONDA CRF250 L

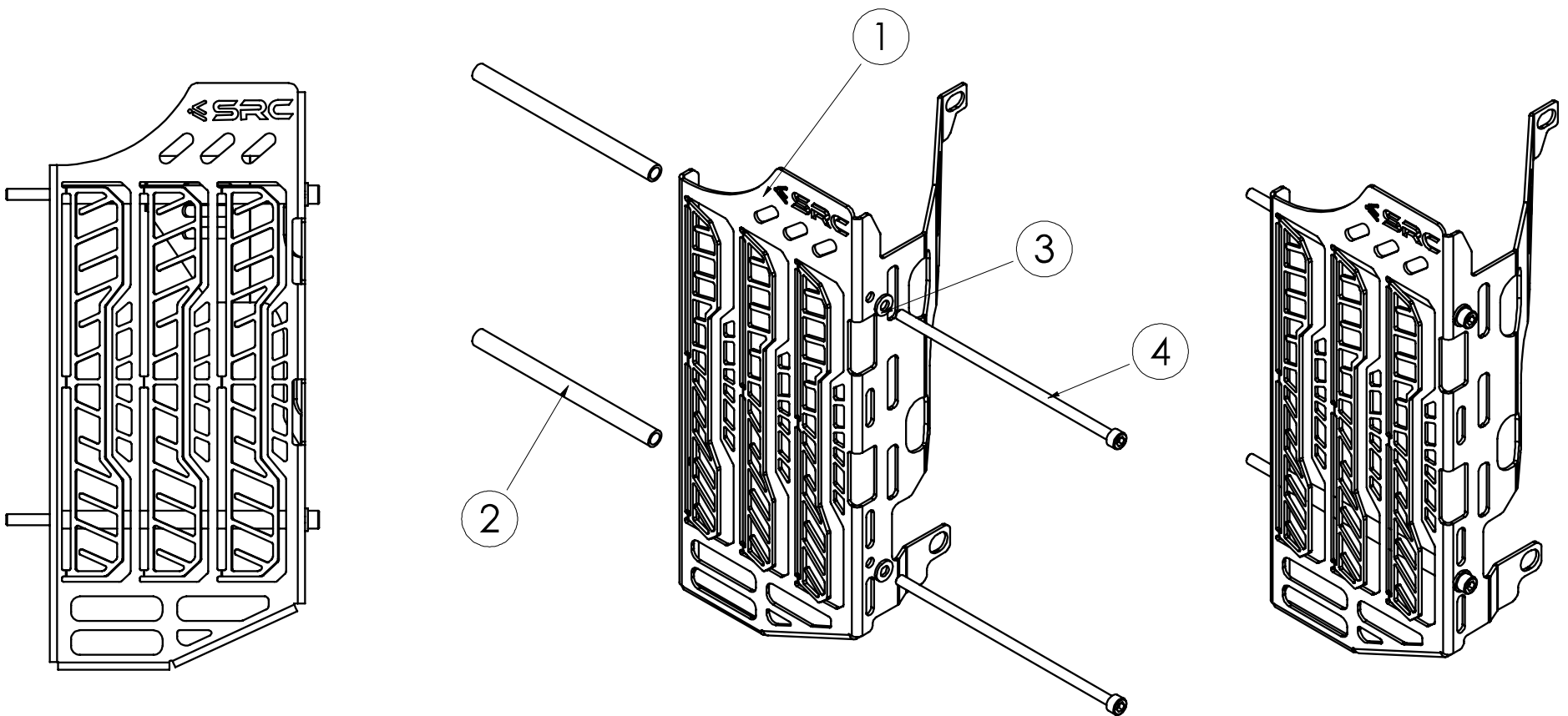
**Installation / Parts List / Bill of Material for Mounting**

No.	Description	Quantity	Torque * (N-m)	Remarks **
1	Radiator Guard	1		
2	Bush Pipe	2		
3	Washer M6	2		
4	Cap Screw M6	2	15	

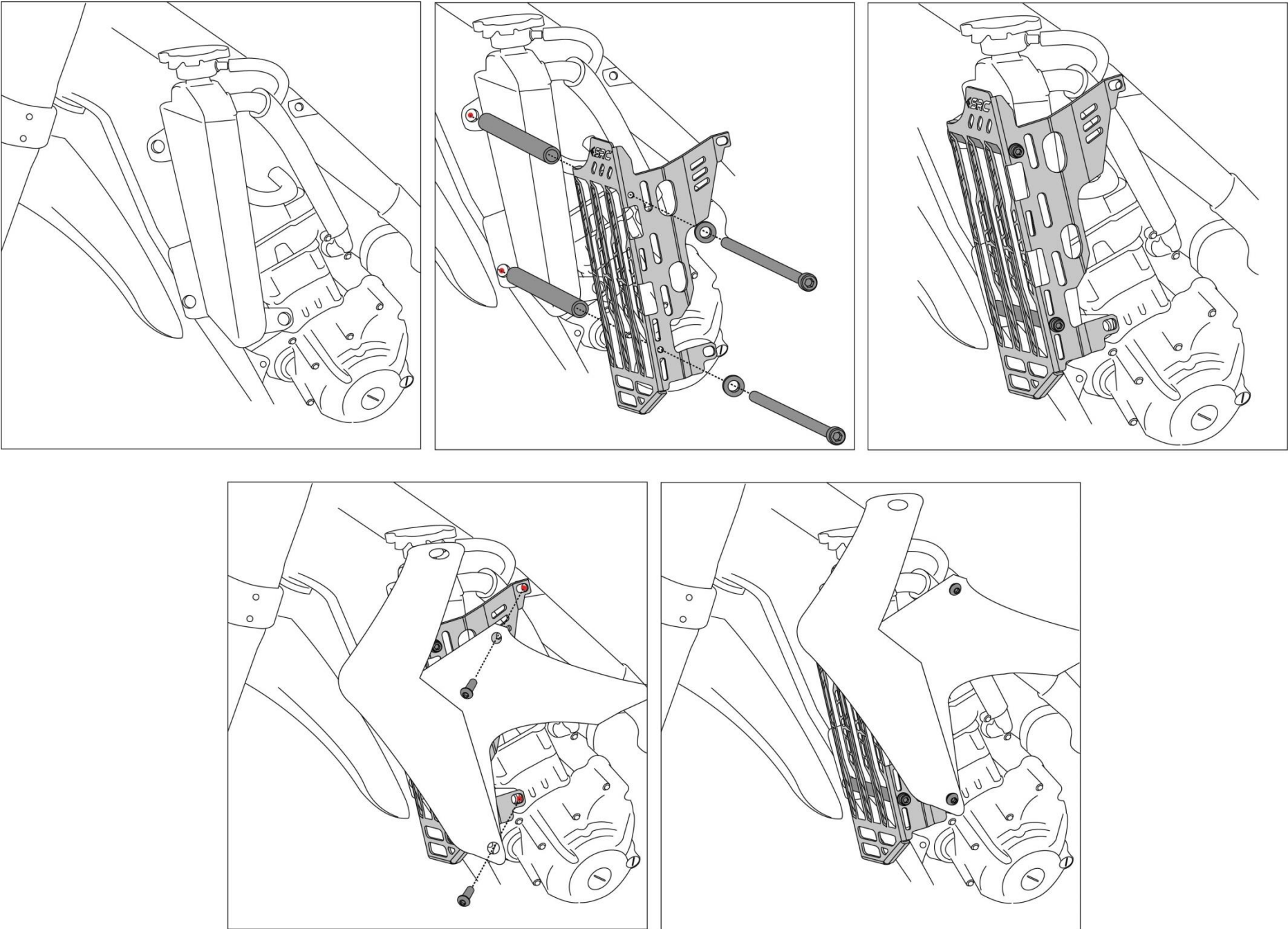
SRC Design uses Metric System of Measurement and all dimensions are in Millimeters

\* Recommended to use the Torque specified in the table

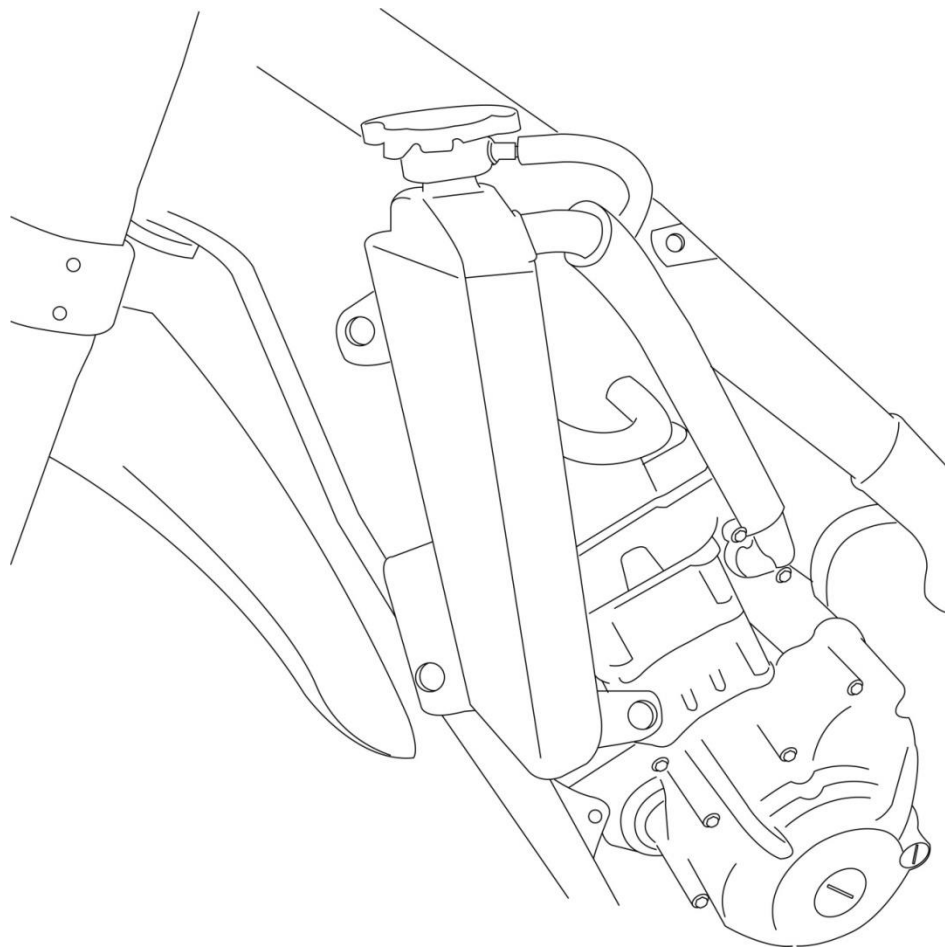
\*\* Denotes Usage of Liquid Thread Locker in specified locations



MOUNTING DRAWINGS

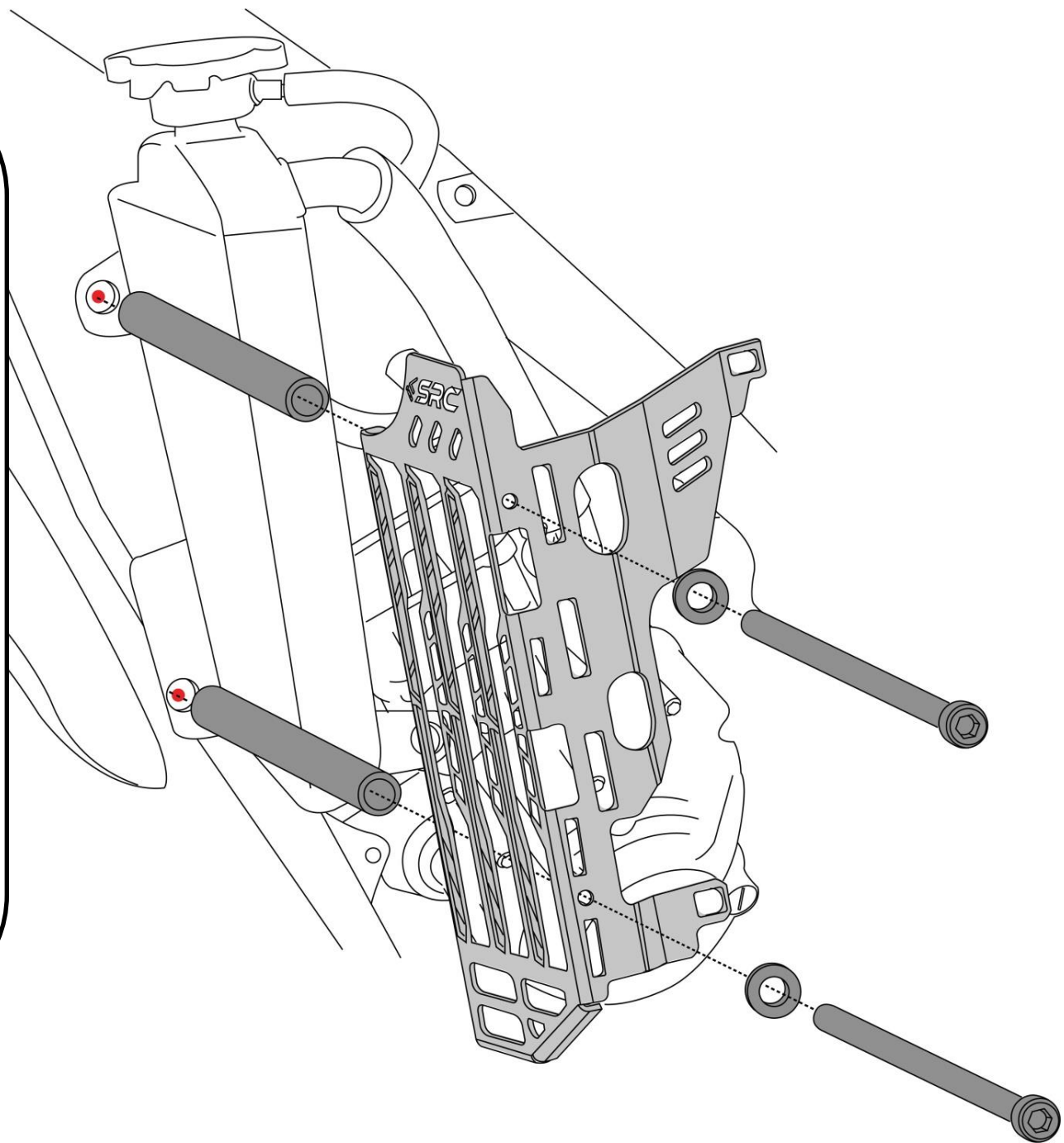


**Mounting Instructions**



**Step 1:**  
**Step 1: Remove the Dirt Shield (OE Part), mounting screws and keep the Dirt shield aside, before starting to mount SRC Radiator Guard**

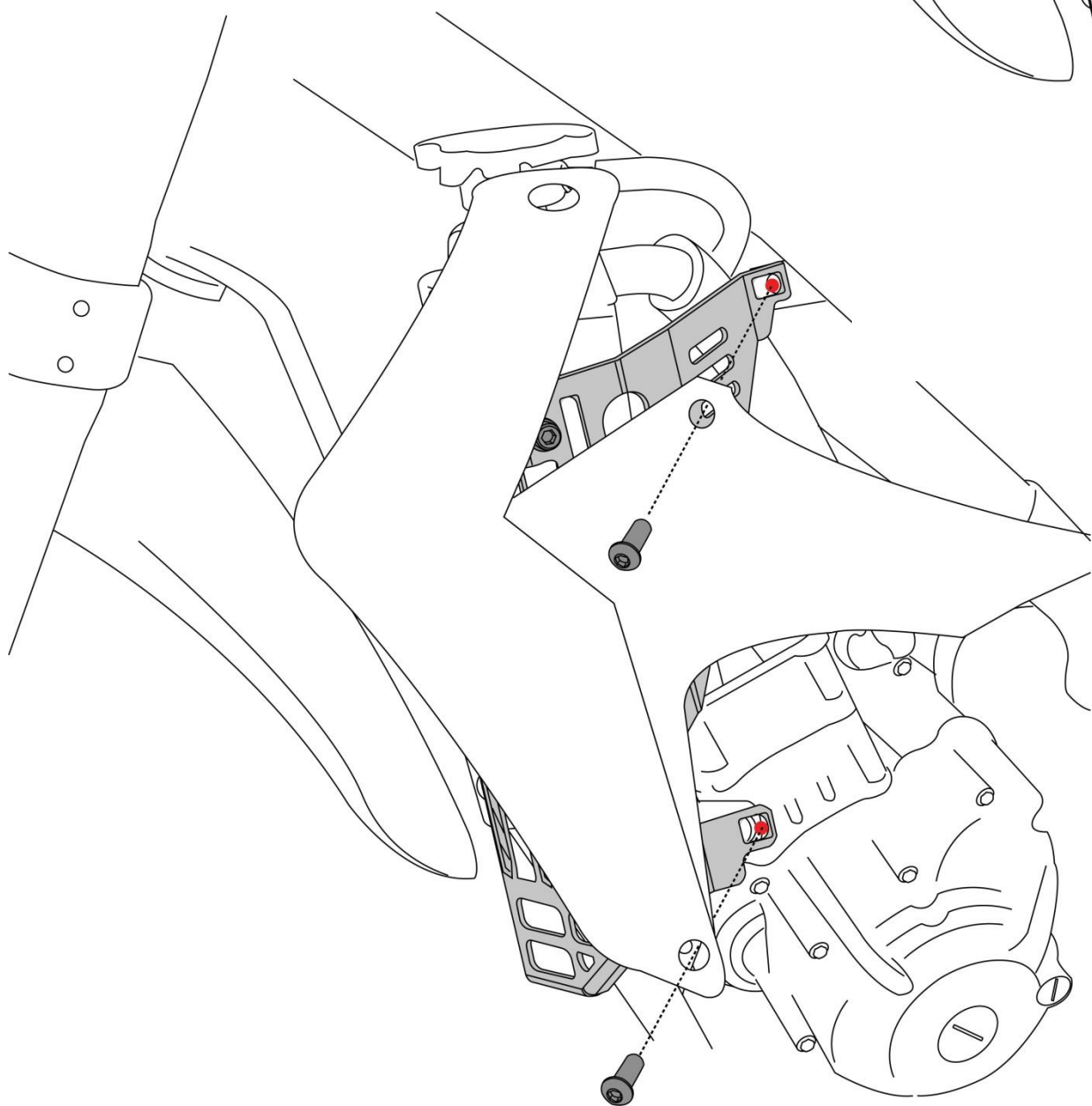
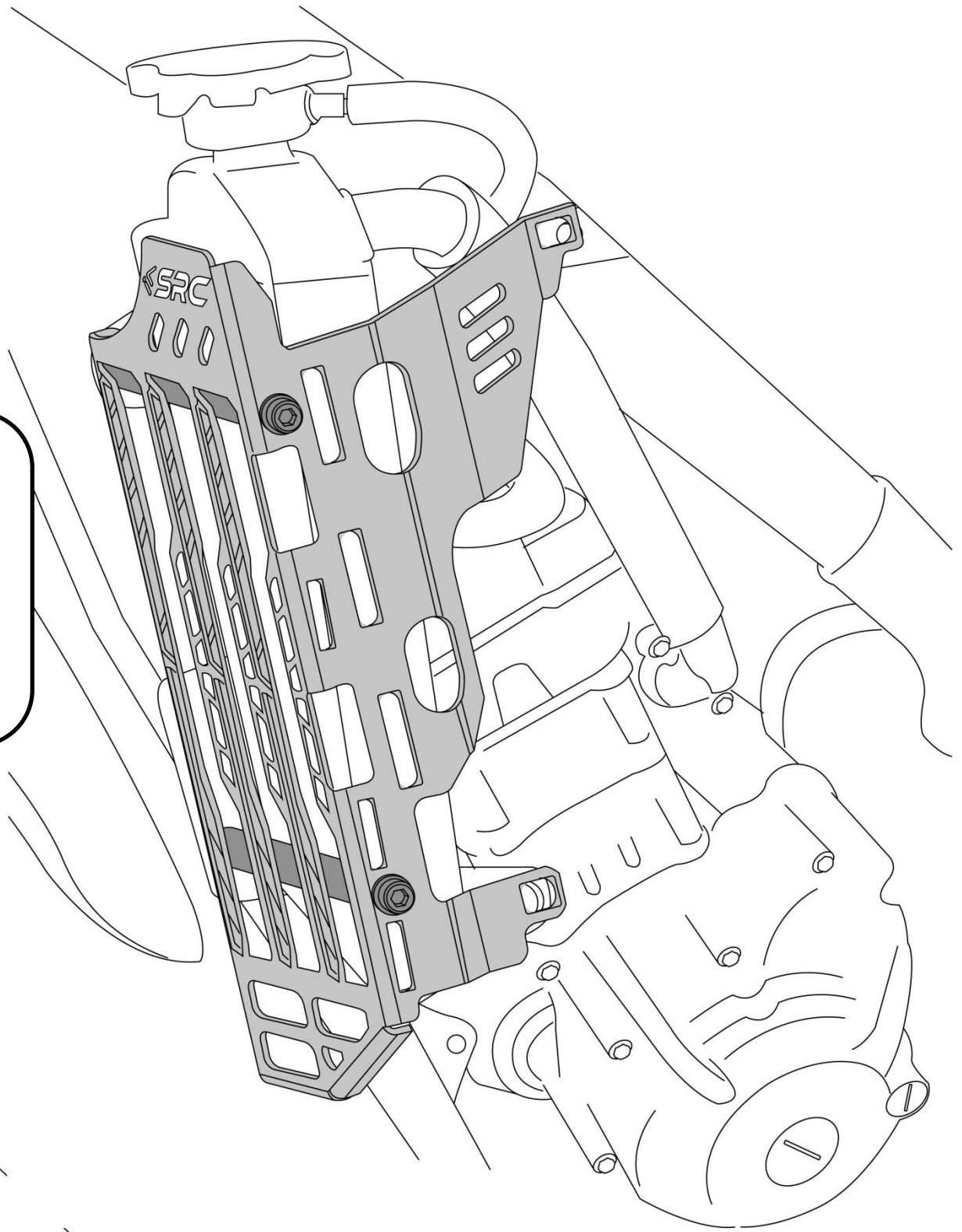
**Step 2:**  
**Remove the two Mounting bolts (Shown in “Red” colour), which holds the Radiator to the Chassis frame and slip-in the Long Bush Pipe (2) – 2 off, Orient the Radiator Guard’s Far end mounting holes, as shown in the drawing and slide-in the Washer M6 (3) – 2 off and the Long Cap Screw M6 through the Bush pipe, and secure the threads, and tighten it fully.**





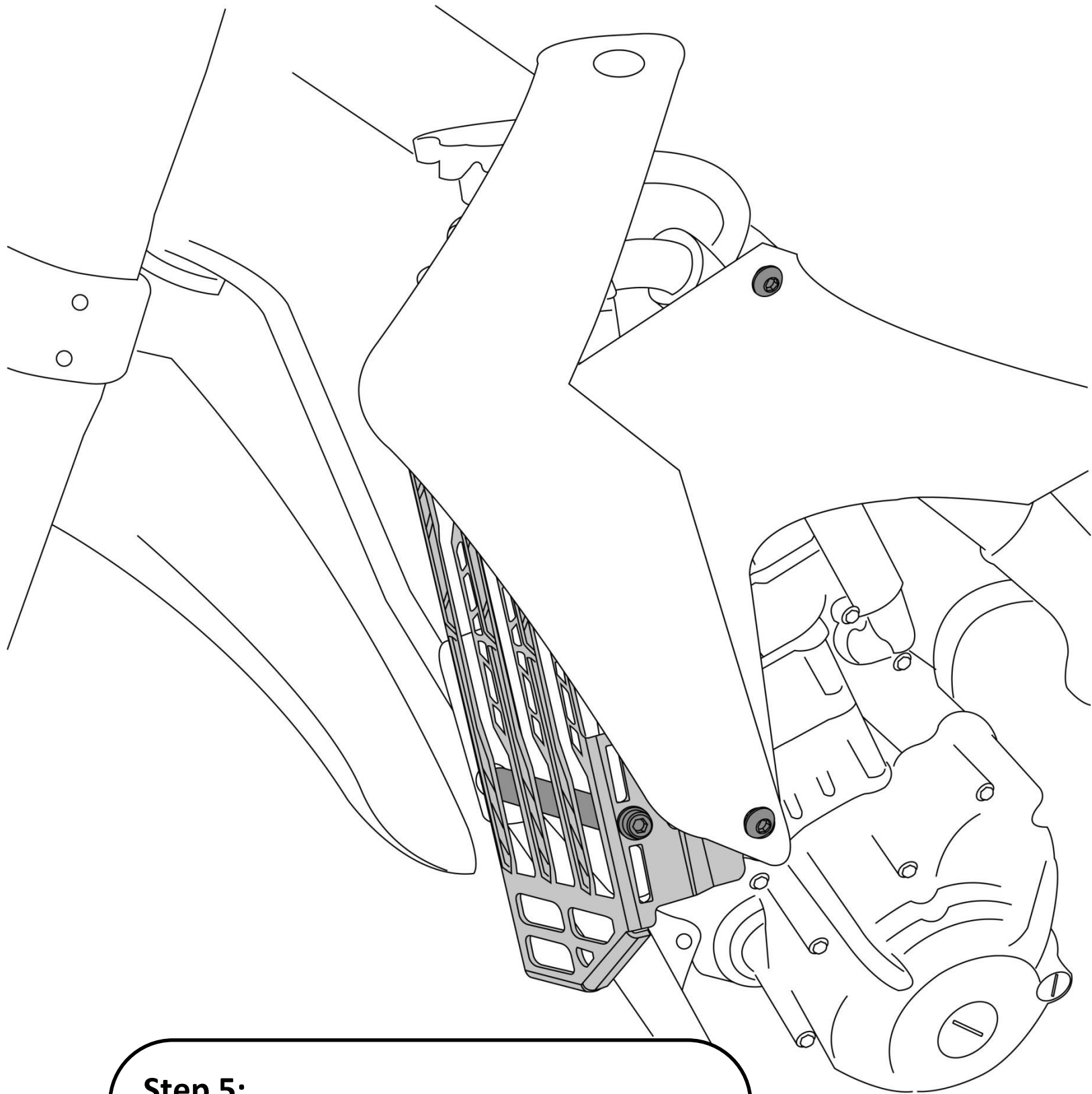
**Step 3:**

**Radiator Guard in “As is so far”  
mounted condition is shown in the  
drawing**



**Step 4:**

**Align the Dirt Shield, as shown, in-line  
with the Mounting holes and slip-in  
the OE Bolts and secure the threads  
and tighten it fully.**



**Step 5:**

**The Final Mounted condition of the SRC Radiator Guard, with Dirt Shield mounted back, is as shown in the drawing.**

## General Instructions

1. We request you to pay attention to the Mounting Instructions in this document and follow the step-by-step procedures.
2. This Mounting Instruction manual is a “Do It Yourself” (DIY) fitment manual of the Accessory part to the Vehicle. We have prepared this based on our experience and knowledge, related to the Vehicle, Part and its functional aspects.
3. SRC cannot guarantee the interchangeability of the parts to any other manufacturer’s accessory part. It is advised to the User, to inspect and ensure the original state of all other Vehicle parts.
4. We request you to bear in mind, that the Installed part can change the driving behaviour and/or the stability during driving or any other dynamic conditions.
5. If you have the appropriate tools and another person to assist you in the mounting, it will help.
6. After Completion of the Mounting and before taking on a First ride, Ensure and Check all functions of the Vehicle. It is always advised to check loosening of the fasteners after the first 50 kilo meters of ride and at regular intervals.
7. We are showing here the Scope of Supply/ Installation/Parts list & BOM from SRC
8. To the maximum extent possible, our design use the current Mounting/Fitment of the Original Equipment, so that Installation of these accessories will not affect the Payload or Function of the Vehicle or the Part on which it is mounted to protect it
9. If any additional modifications are to be done, prior to the fitment of the accessories, it will be explicitly specified in the instruction sheets.