

Scope of Supply/Bill of Material & Mounting Drawings

Part Number: H-ADV150-01-01-SL / H-ADV150-01-02
 Part Description: Head Light Guard – HONDA ADV150

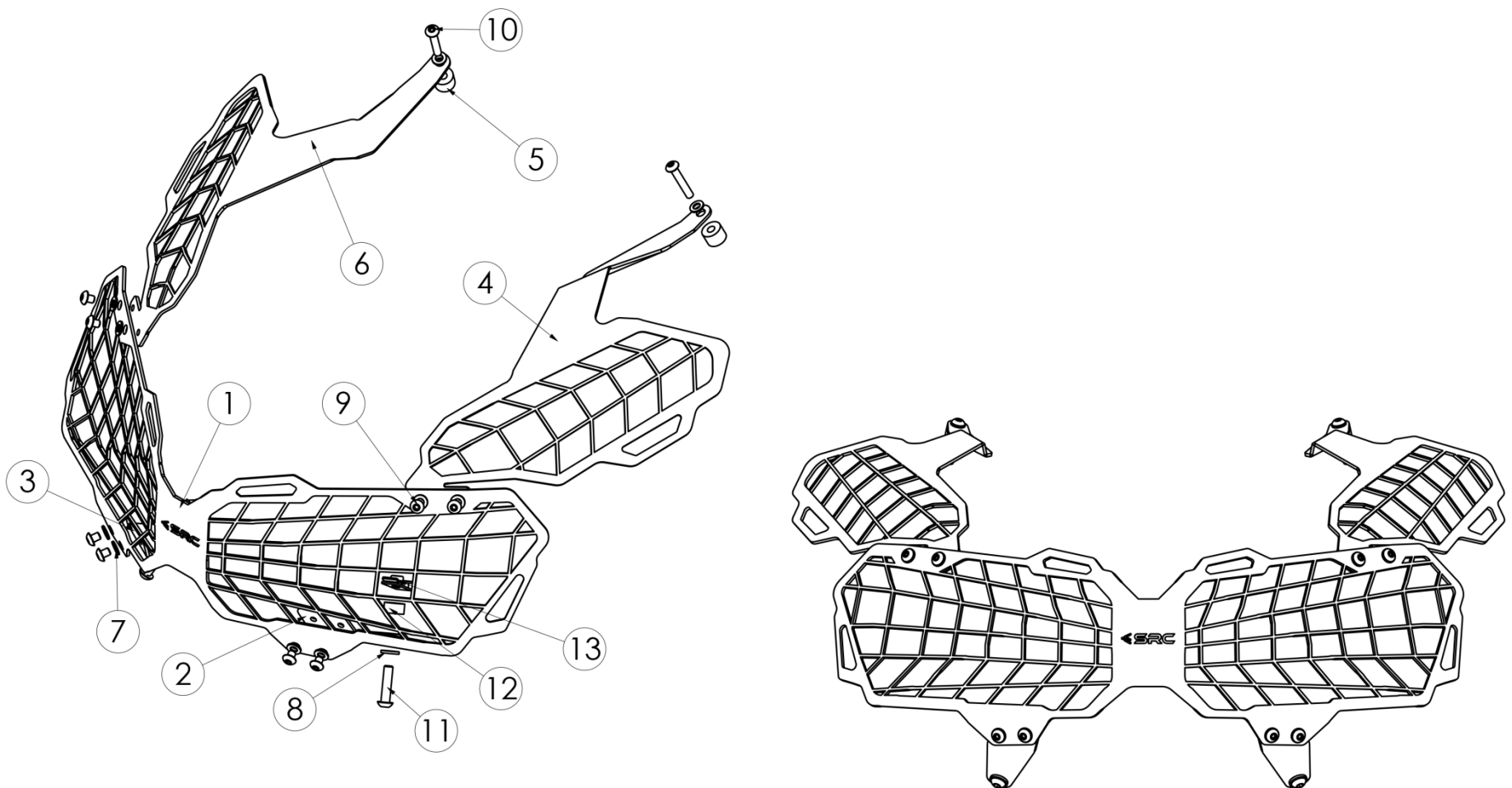
Installation / Parts List / Bill of Material for Mounting

NO.	Description	Quantity	Torque * (N-M)	Remarks **
1	HeadLightGuard	1		
2	Bottom Plate LH	1		
3	Bottom Plate RH	1		
4	Side LightGuard LH	1		
5	Bush Delrin M5 14x10	2		
6	Side LightGuard RH	1		
7	Washer M5	10		
8	Washer M6	2		
9	Hex Socket Button Head M5x6	8	5 - 6	Use Liquid Thread Locker
10	Hex Socket Button Head M5x30	2	5 - 6	Use Liquid Thread Locker
11	Hex Socket Button Head M6x25	2	9 - 10	Use Liquid Thread Locker
12	Bush Delrin M6 14x7	2		
13	Clip M6	2		

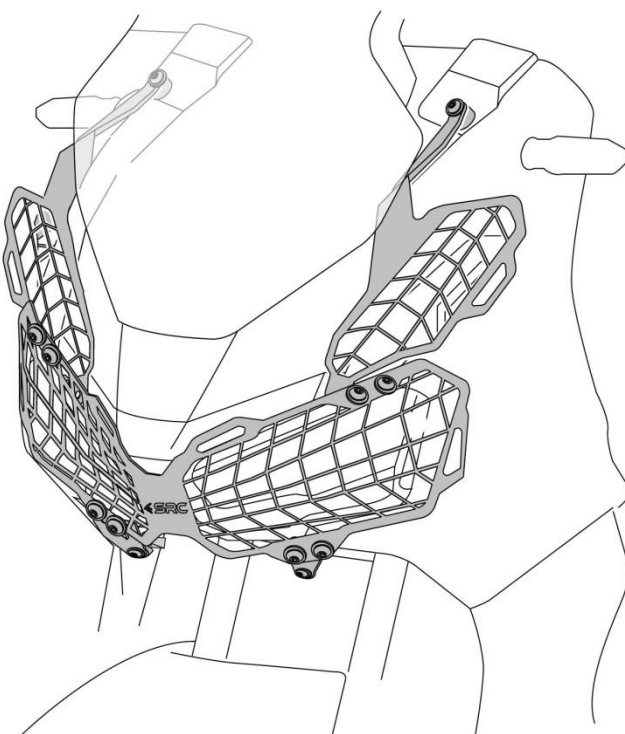
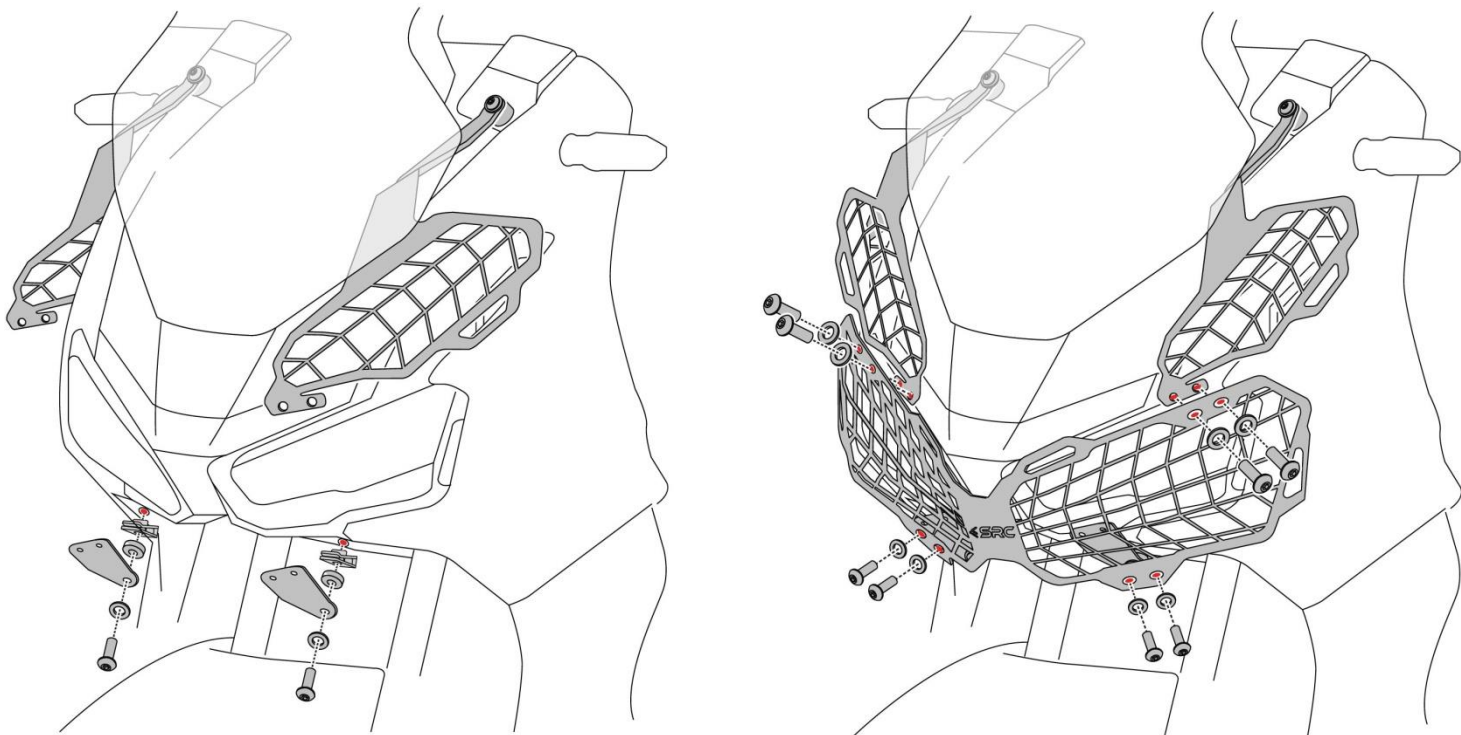
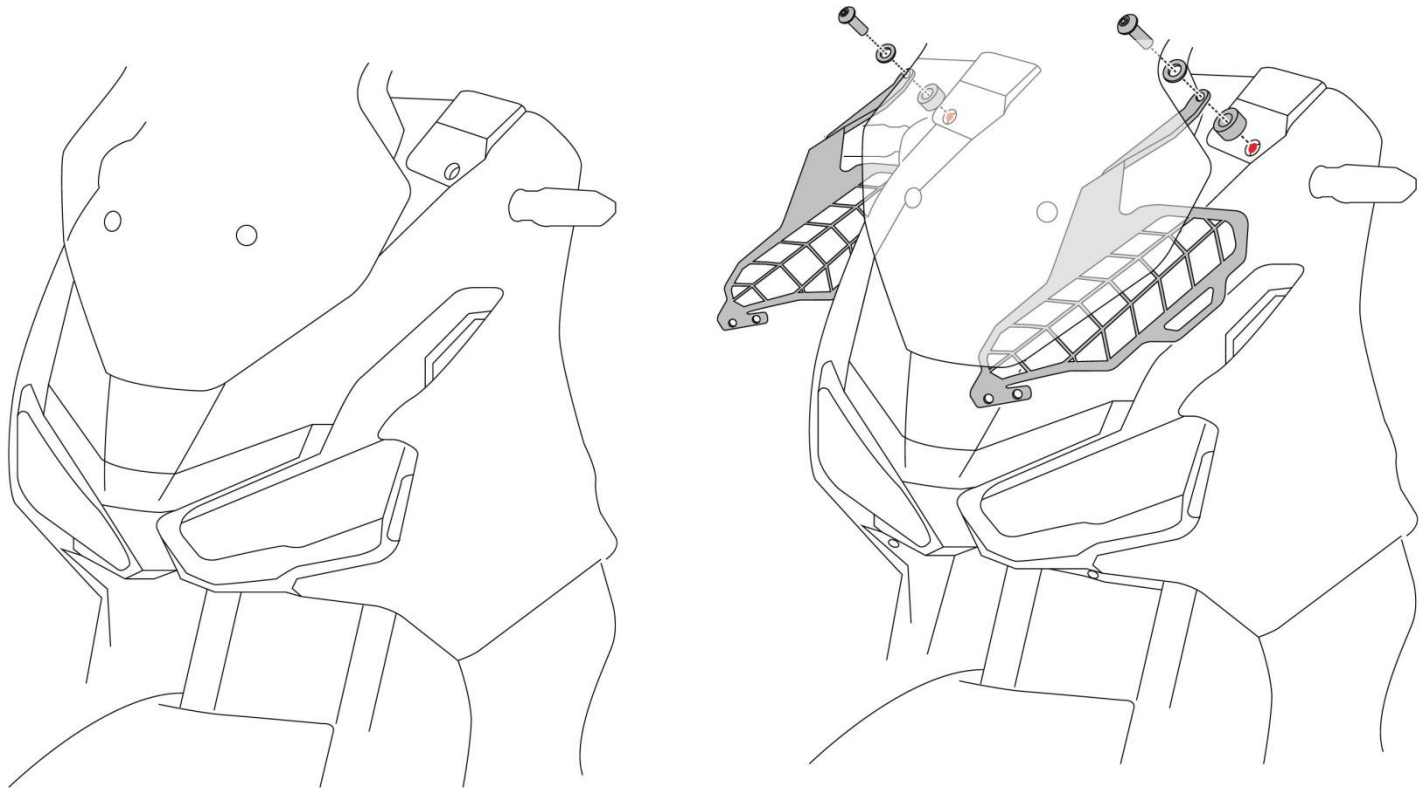
SRC Design uses Metric System of Measurement and all dimensions in Millimeters

* Recommended to use the Torque specified in the table

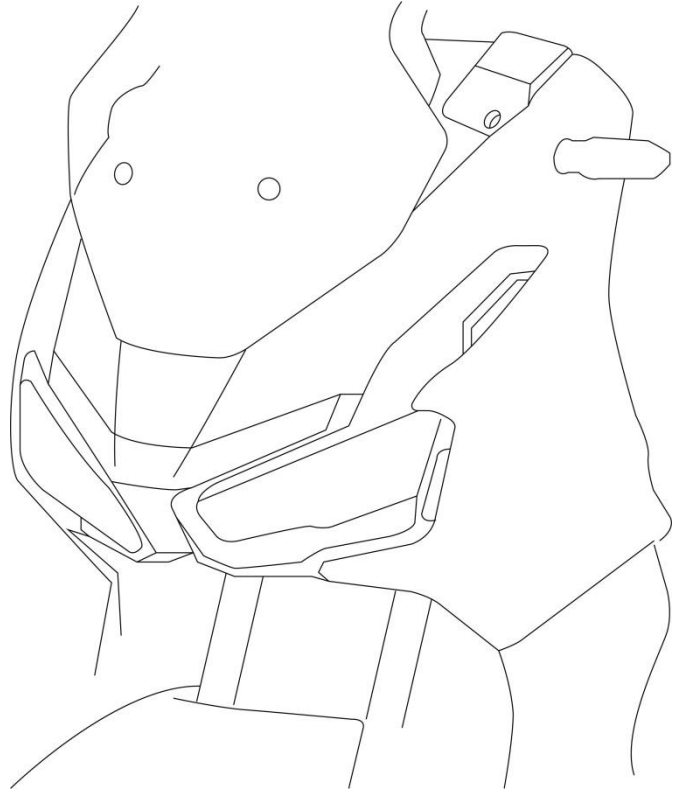
** Denotes Usage of Liquid Thread Locker in specified Locations



MOUNTING DRAWINGS



Mounting Instructions

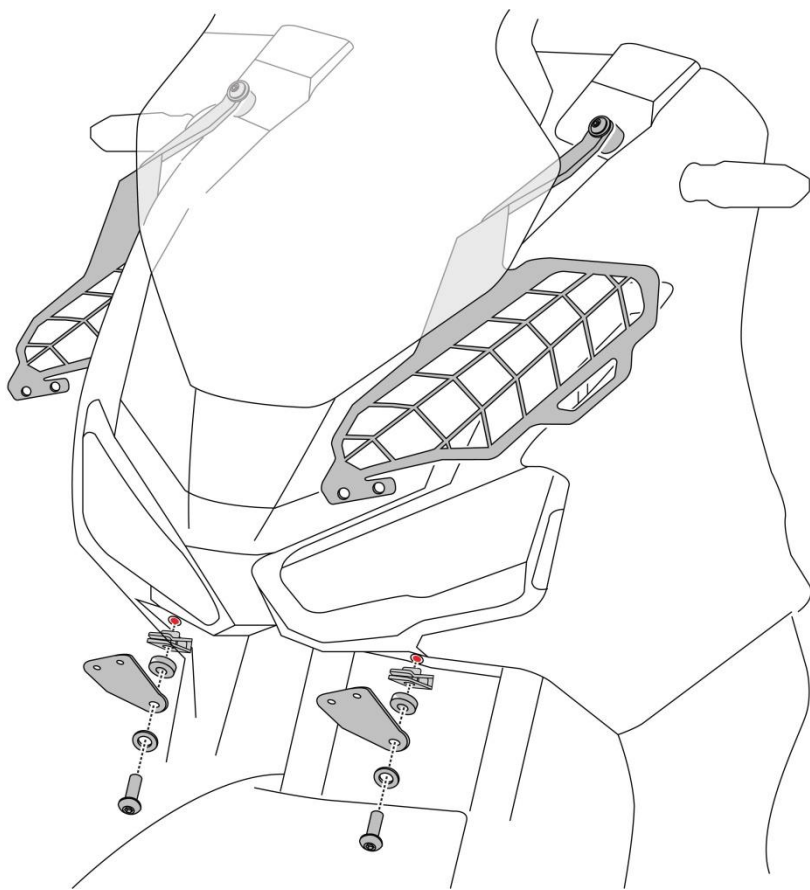
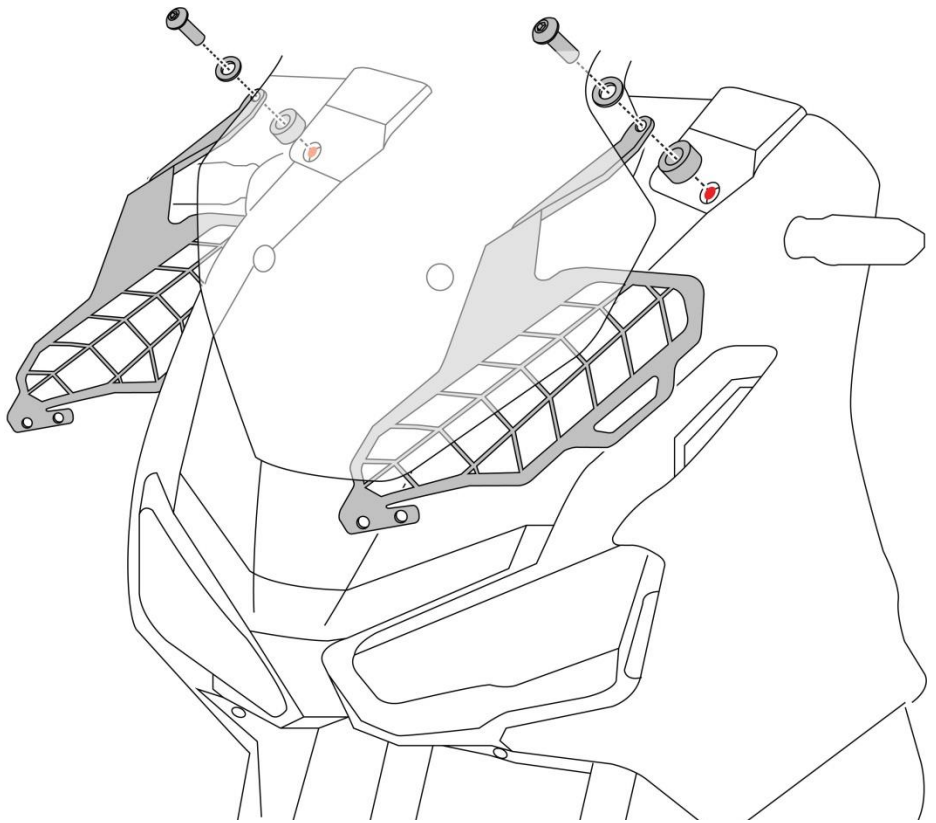


The Mounting Screws, which will be used for mounting the Brackets of the Head Light Guard, can be found on the Front Left hand side and Right hand side. The same can be unscrewed out, 2 off on each side.

Orient and align the SideLightGuard LH(4) & SideLightGuard RH (6), as shown.

Slip-in the Spacer –Delrin M5 14x10(5) – 2 off from either side.

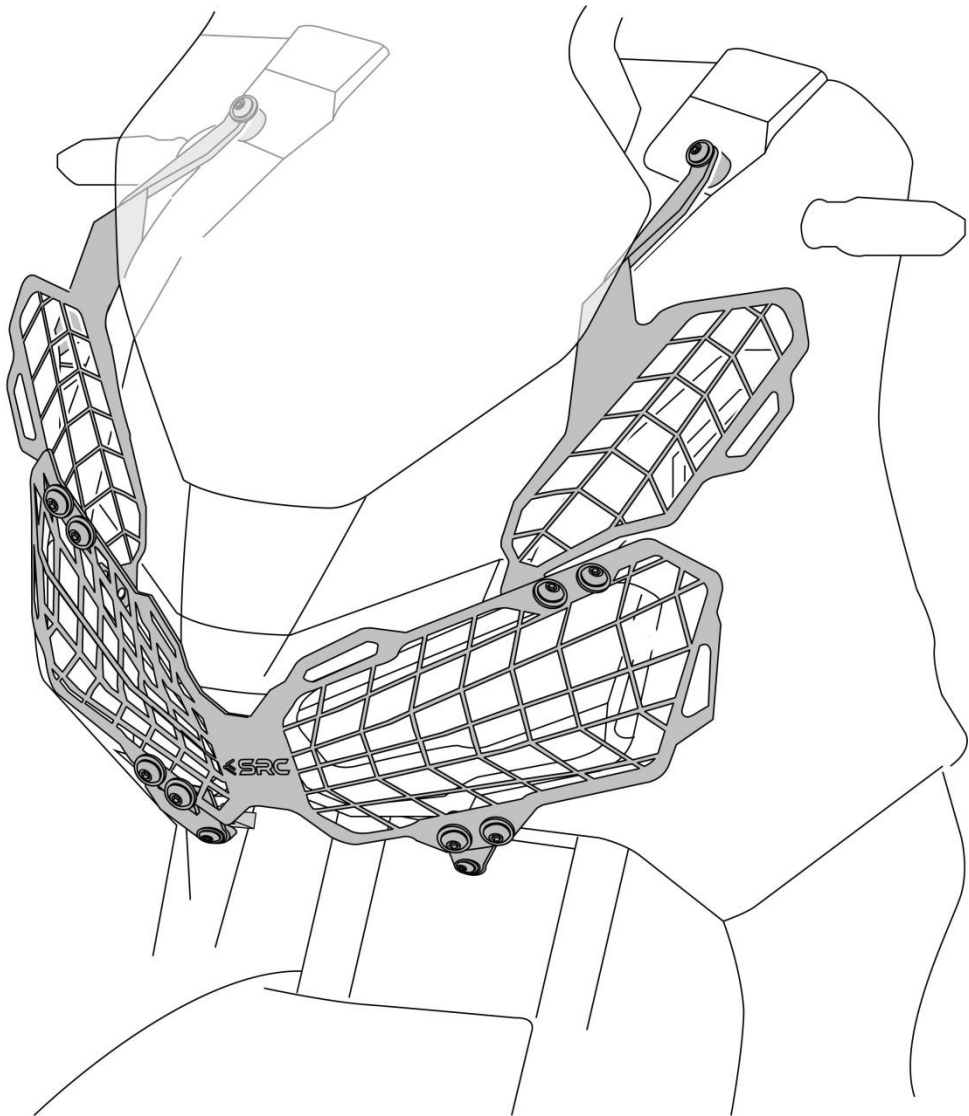
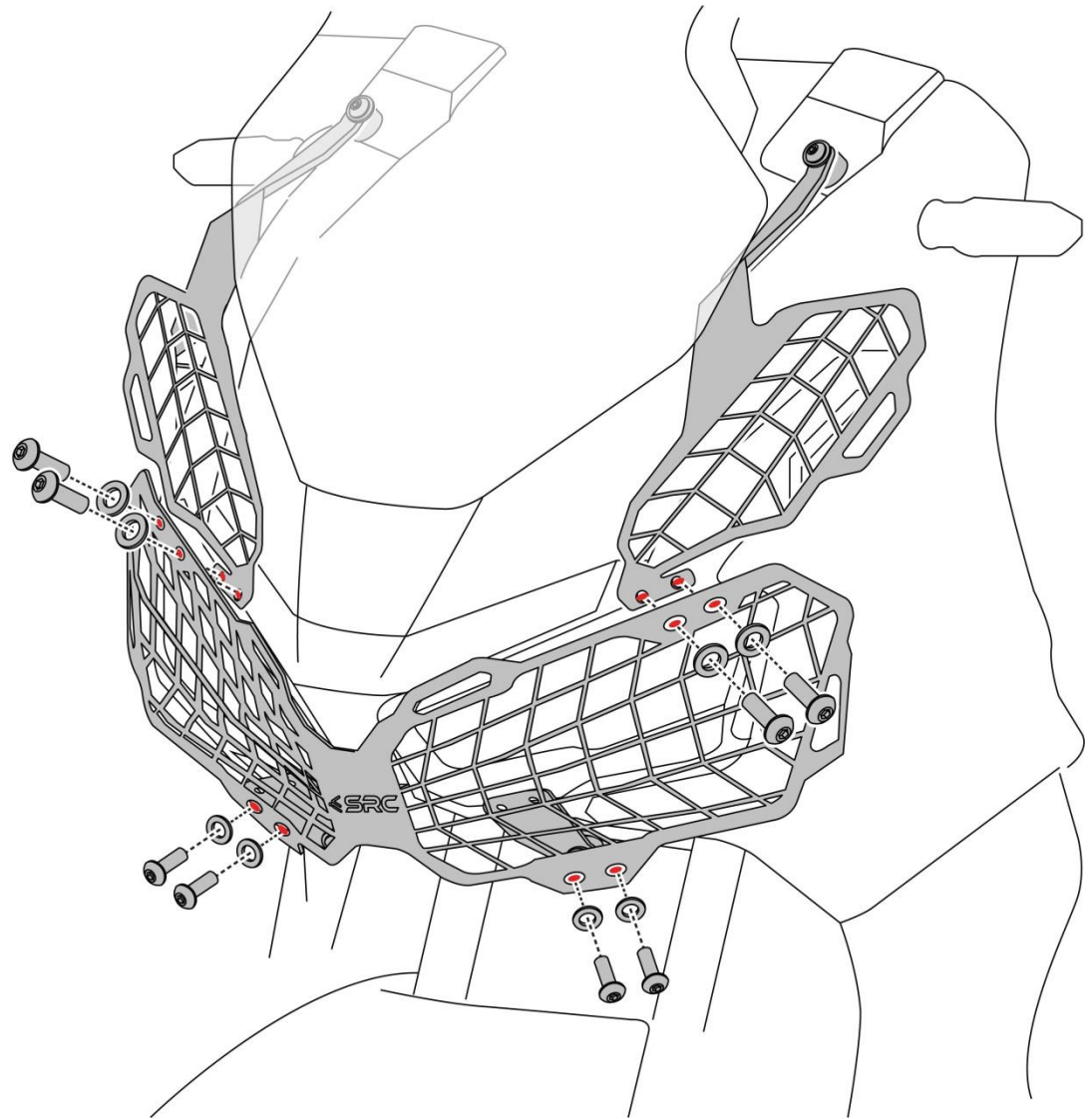
Slide-in the Washer M5 (7) and Screw M5 x 30 (10) –2off, into the top side of the mounting hole, from either sides.



Mounting of the Bottom Plate LH (2).& the Bottom Plate RH (6) This takes the mounting hole available in the Motorbike (as shown in the drawing).

Orient and align the Bottom Plate, and slide in the Cilp M6 (13) – 2 off, Bush Delrin M6 14x7 (12) – 2 off, Washer M6 (8) -2 off, Screw M6x25 (11) – 2 off, from the Bottom side.

Orient and Align the Head Light Guard (1), as shown, in-line with the 4off Mounting holes in the SideLightGuard LH&RH (4)(6) and Bottom Plat LH&RH (2)(3) and Slide in the Washer M5 (7) – 4 off on each side and Screw M5x6 (9) – 8off on each side.



Ensure Mounting symmetry and tighten the screws to torque as per specifications in the BOM table.

Final Mounted condition of the Head Light Guard, is as shown in the drawing above.



General Instructions

1. We request you to pay attention to the Mounting Instructions in this document and follow the step-by-step procedures.
2. This Mounting Instruction manual is a “Do It Yourself” (DIY) fitment manual of the Accessory part to the Vehicle. We have prepared this based on our experience and knowledge, related to the Vehicle, Part and its functional aspects.
3. SRC cannot guarantee the interchangeability of the parts to any other manufacturer’s accessory part. It is advised to the User, to inspect and ensure the original state of all other Vehicle parts.
4. We request you to bear in mind, that the Installed part can change the driving behaviour and/or the stability during driving or any other dynamic conditions.
5. If you have the appropriate tools and another person to assist you in the mounting, it will help.
6. After Completion of the Mounting and before taking on a First ride, Ensure and Check all functions of the Vehicle. It is always advised to check loosening of the fasteners after the first 50 kilo meters of ride and at regular intervals.
7. To the maximum extent possible, our design use the current Mounting/Fitment of the Original Equipment, so that Installation of these accessories will not affect the Payload or Function of the Vehicle or the Part on which it is mounted to protect it
8. If any additional modifications are to be done, prior to the fitment of the accessories, it will be explicitly specified in the instruction sheets