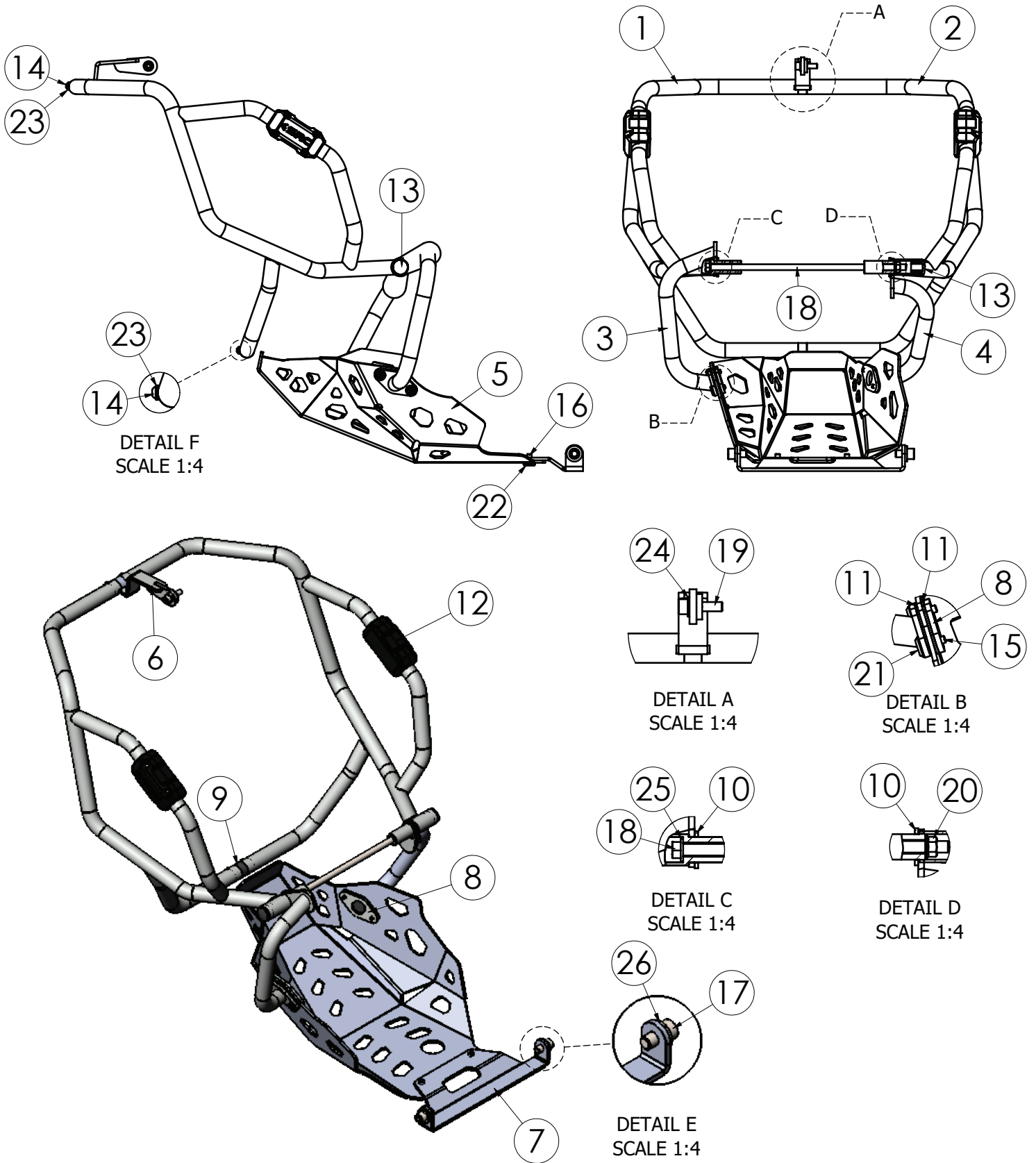


Part Number: D-DSX-17-01-FL

Part Description: Ducati Desert X 2023

Installation / Parts List / Bill of Material for Mounting

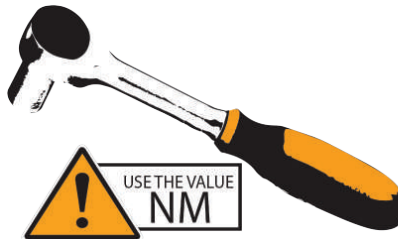
NO.	Description	Quantity	Torque*(N-M)	Remarks**
1	Crash bar LH	1		
2	Crash bar RH	1		
3	Arm skid plate LH	1		
4	Arm skid plate RH	1		
5	Skid plate	1		
6	Braket upper	1		
7	Bracket plate	1		
8	Plate D	2		
9	Pin pipe	1		
10	Bush nylon OD32xD22.5xL3	2		
11	Rubber plate	4		
12	Sliders Guards	2		
13	End cap	2		
14	Socket button head screw M6x10mm	4		Use Liquid Thread Locker
15	Socket countersunk head screw M6x25	4		Use Liquid Thread Locker
16	Socket countersunk head screw M8x20	2		Use Liquid Thread Locker
17	Socket head cap screw M12x20	2		Use Liquid Thread Locker
18	Hex flange bolt small M10x340	1		
19	Socket head cap screw M8x30	1		Use Liquid Thread Locker
20	Hex flange nut gradea M10	1		
21	Countersunk Washer M6	4		
22	Countersunk Washer M8	2		
23	Washer M6	4		
24	Washer M8	1		
25	Washer M10	1		
26	Washer M12	2		
SRC Design uses Metric System of Measurement and all dimensions in Millimeters				
Recommended to use the Torque specified in the table				
Denotes Usage of Liquid Thread Locker in specified Locations				



Torque Values to be used in Mounting Instructions

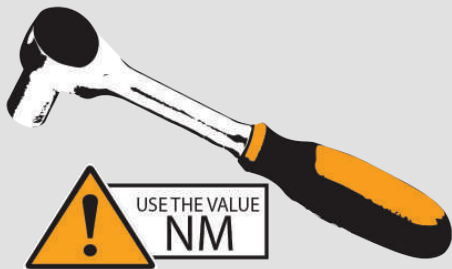


code



		M4		M5		M6		M8		M10		M12		M14		M16		M18	
	code	(cs)	(Fo)	(cs)	(Fo)	(cs)	(Fo)	(cs)	(Fo)	(cs)	(Fo)	(cs)	(Fo)	(cs)	(Fo)	(cs)	(Fo)	(cs)	(Fo)
Inox	A2	2.6	—	5.1	—	8.7	—	21.2	—	42	—	73	—	118	—	180	—	258	—
steel	8.8	3	3,594	5	5,886	10	8,302	23	15,242	46	24,275	79	35,401	127	48,618	198	66,955	283	83,746
steel	10.9	4	5,279	8.1	8,645	14	12,194	34	22,388	67	35,655	116	51,995	187	71,408	291	98,340	402	119,454

Tensile load (Fo)
The force in newtons (N) which maintains pressure contact between assembled components
Tightening torque (Cs) [values are in N-m]

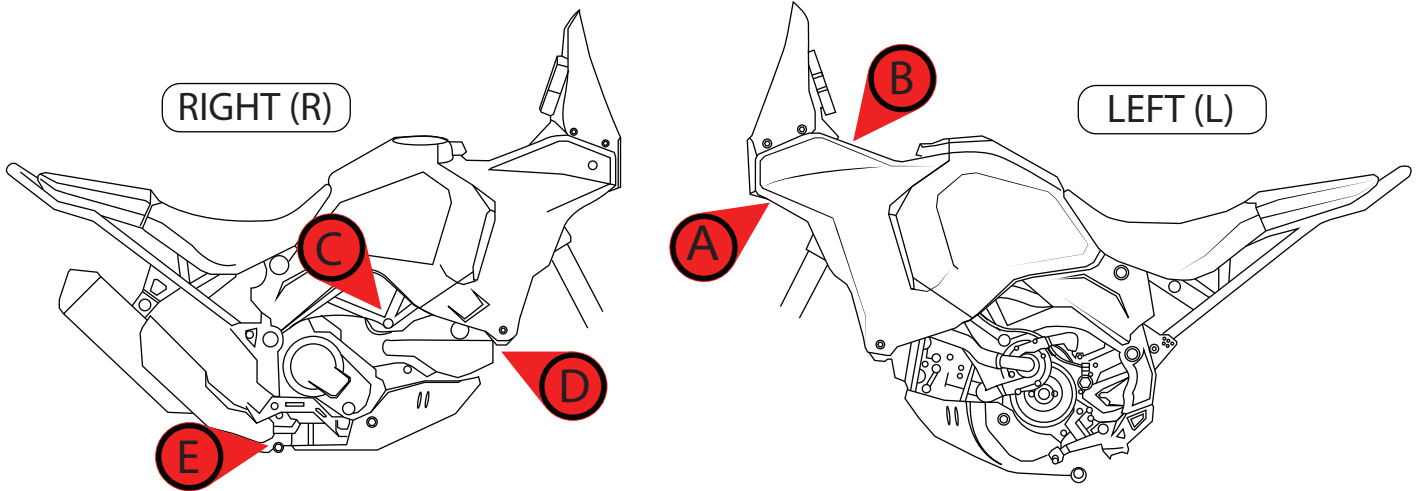


! symbol (NM), refer to the reference value given in the table above for use in the required operation And safe in operation and accuracy in inserting parts.



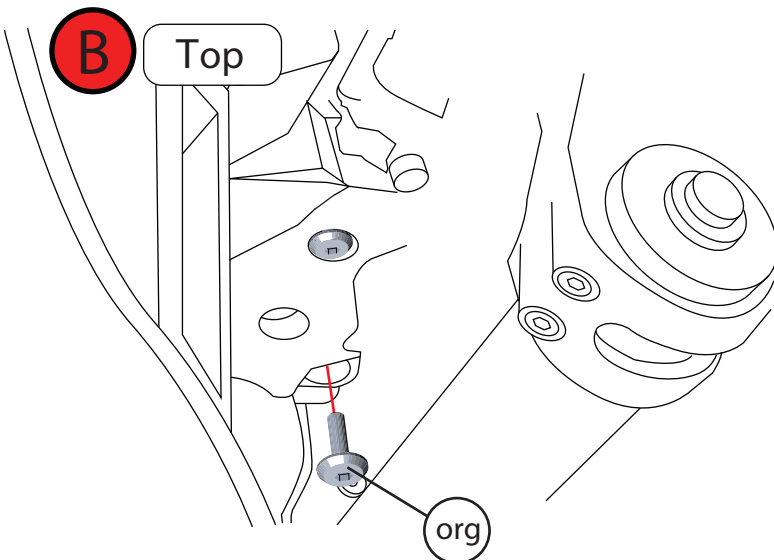
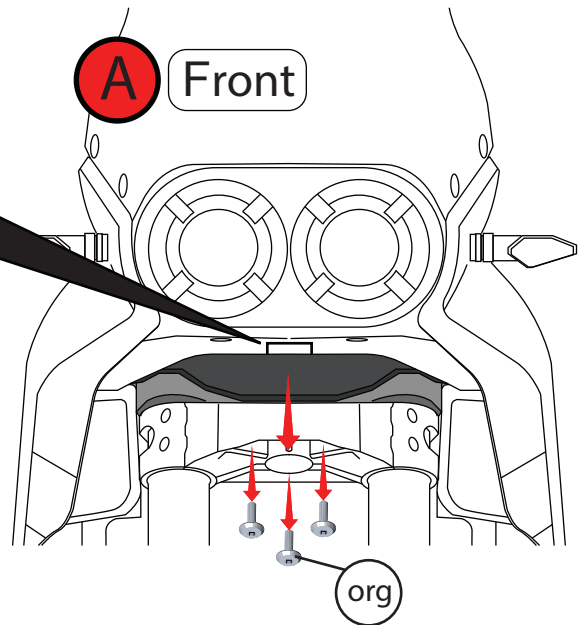
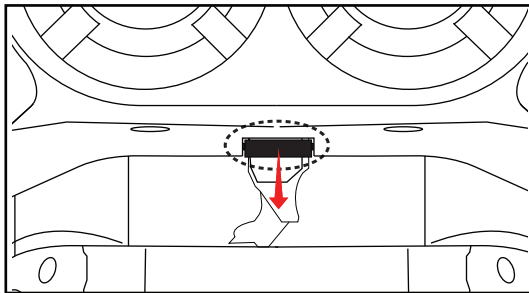
! The tool in the picture is (thread locked). When you see this mark, please insert the medicine to the point where the nut is to be inserted for the firmness and accuracy of the insertion work.

! Please check and check again to make sure that all are inserted. Every piece and don't forget any step to be safe.



1

Remove the original screw 3 point and remove the cover
Pull out the bottom sheet along the circle.

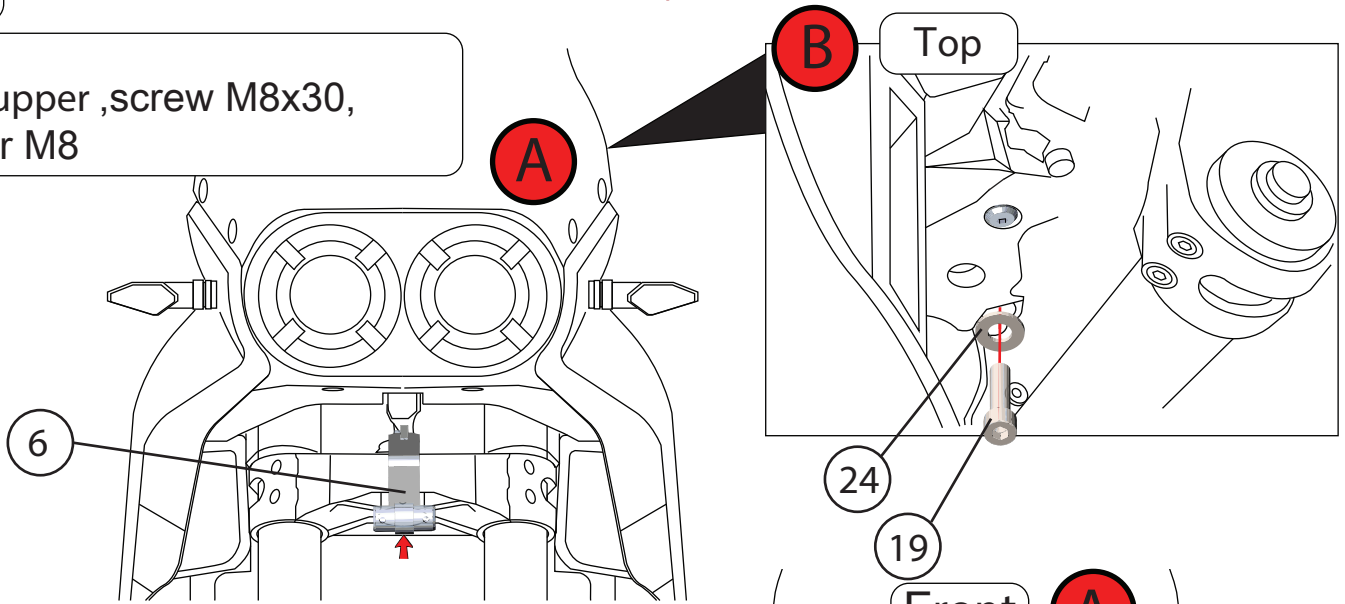


2

Remove the top screw the bottom as illustrated

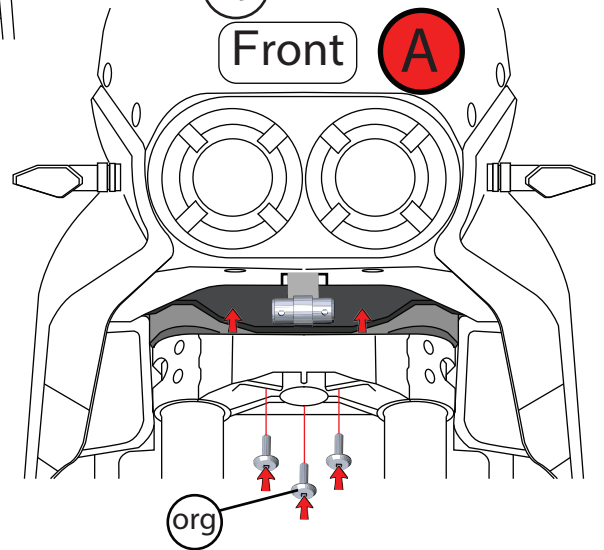
3

install
Bracket upper ,screw M8x30,
Washer M8



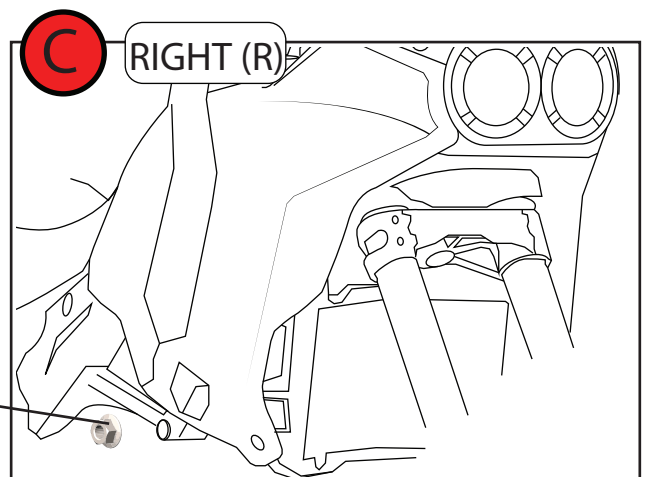
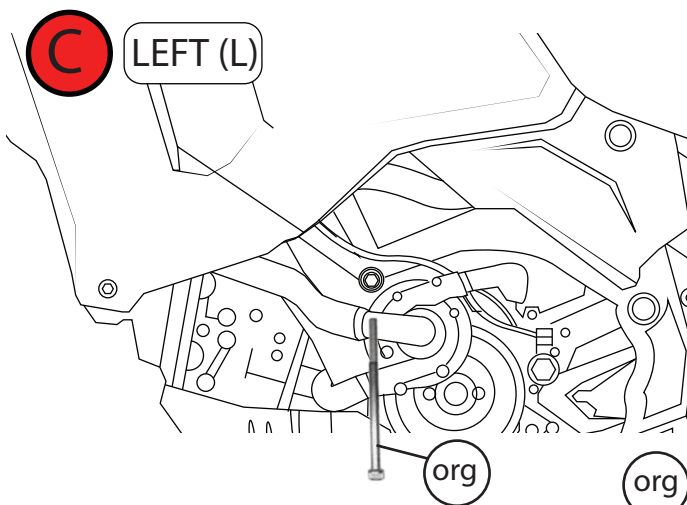
4

install
The original nuts and original parts
are back in place.



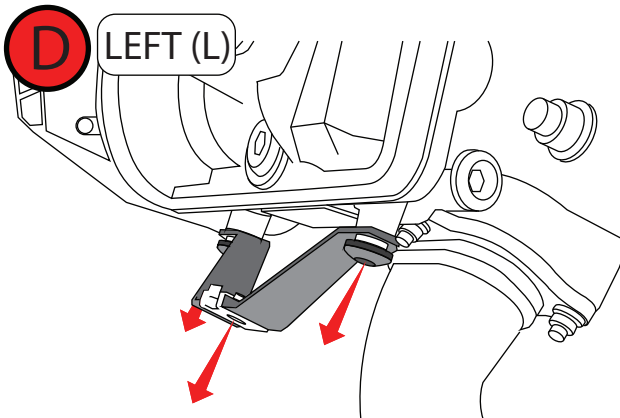
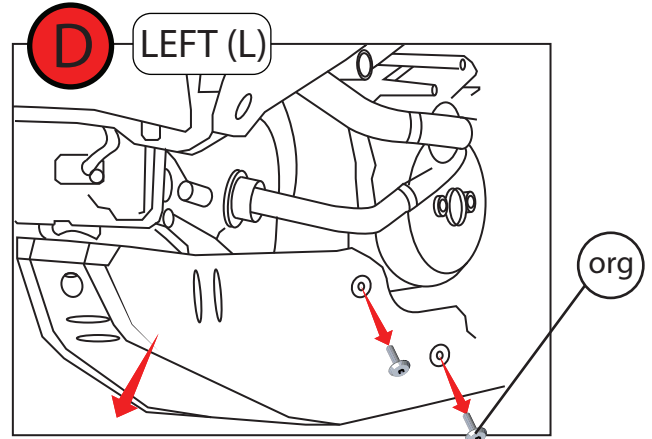
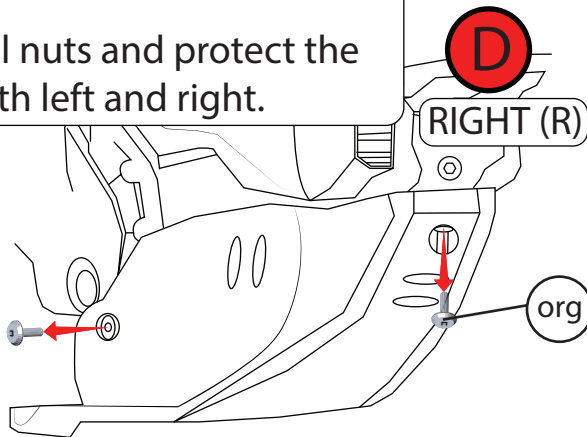
5

Remove
the original nut, both left and right.



6

Remove the original nuts and protect the engine, both left and right.

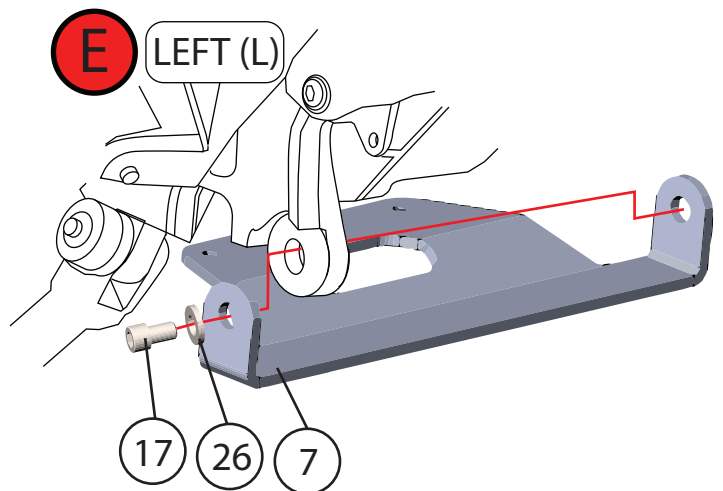
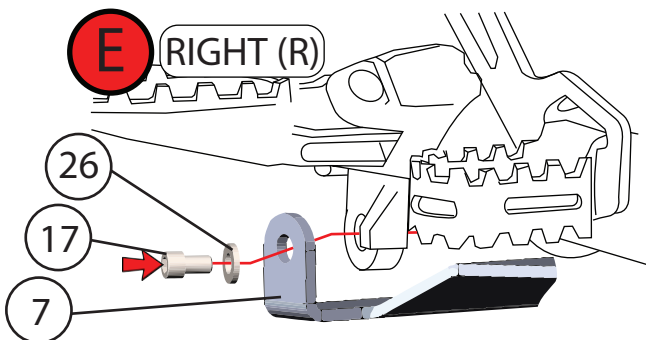


7

Remove the original nuts and Bracket, both left and right.

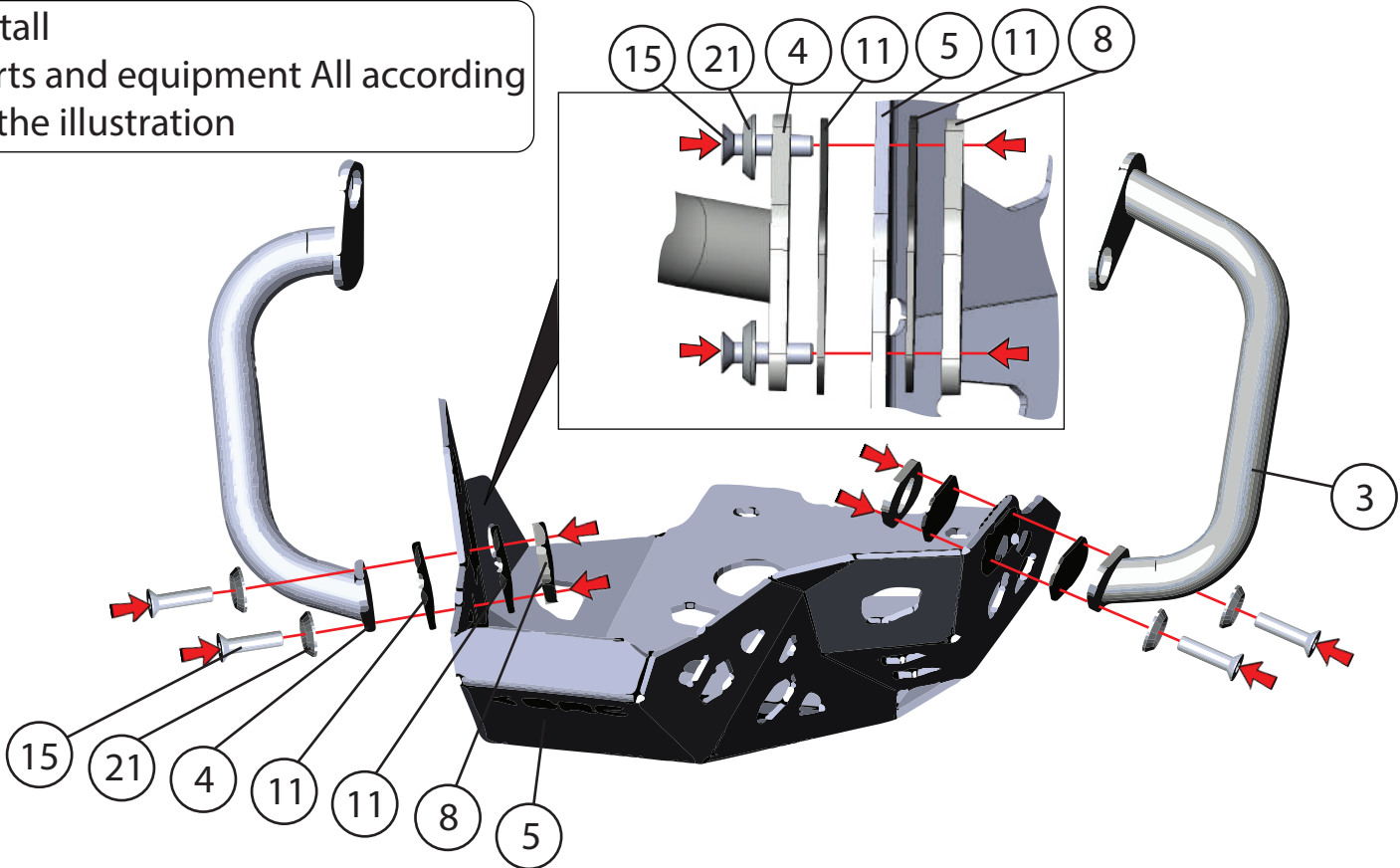
8

install Bracket plate ,screw M12x20 , Washer M12left and right. ,according to the illustration



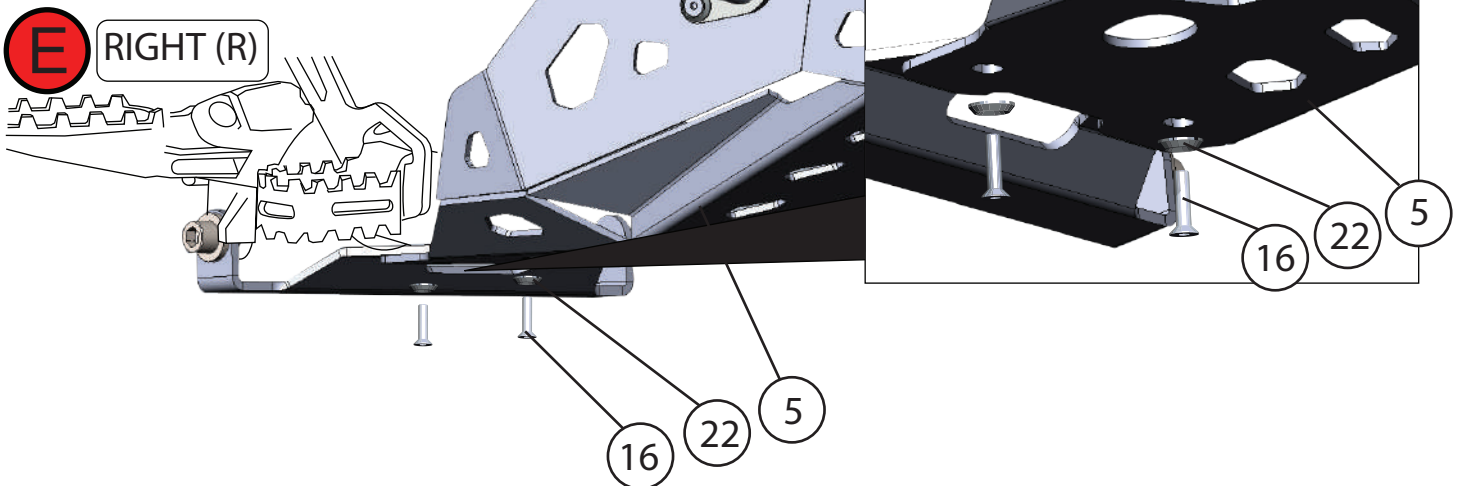
9

install parts and equipment All according to the illustration



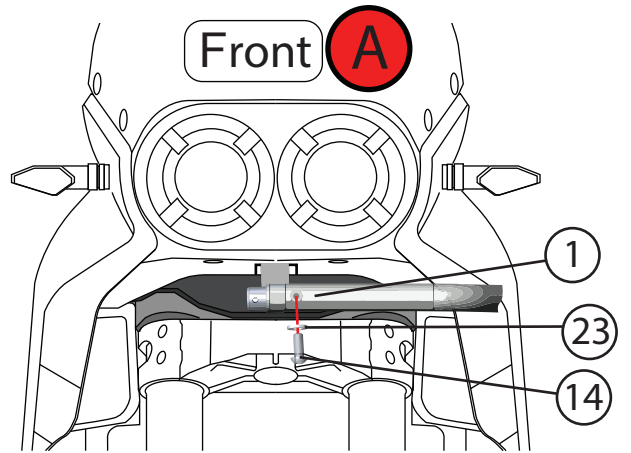
10

install Skid plate with Bracket plate too screw M8x20, Countersunk Washer M8



11

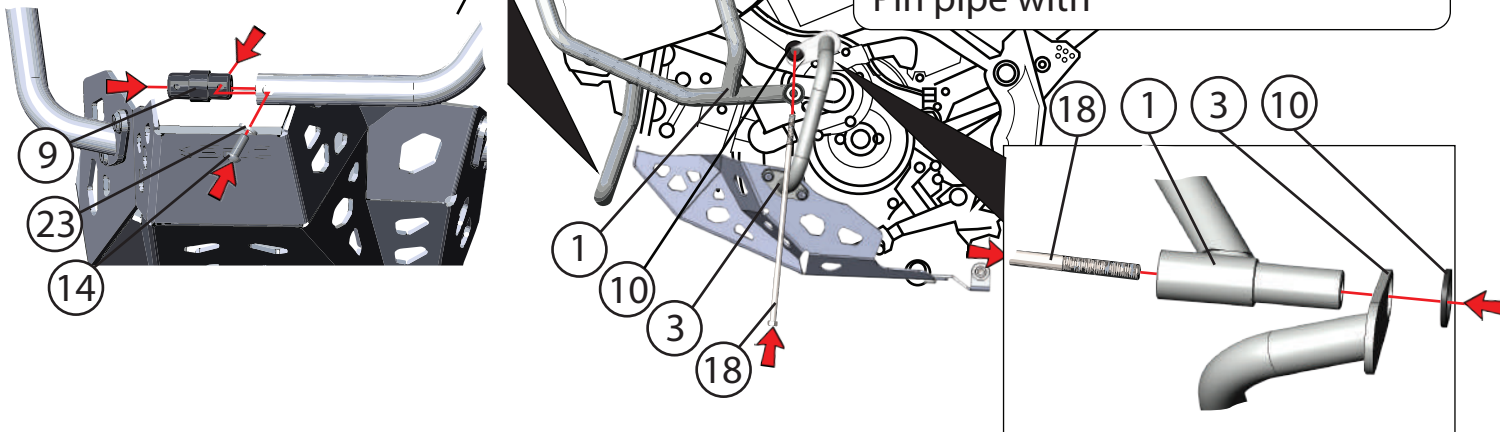
install
Crash bar support too screw M6x10mm
,Washer M6



LEFT (L)

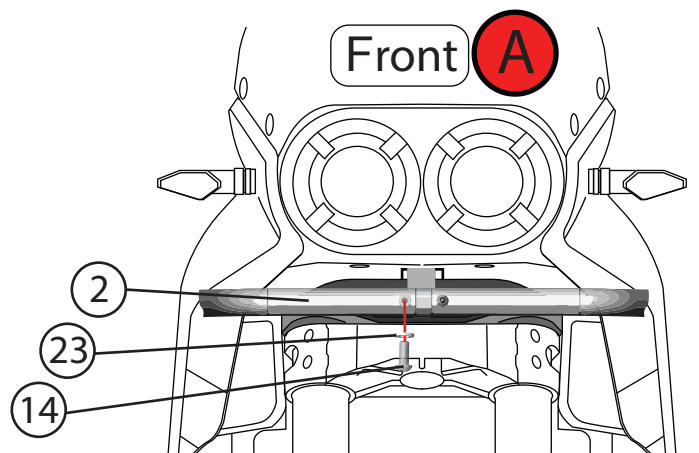
12

install
Crash bar Assemble the parts as
shown in the picture.
install
Pin pipe with



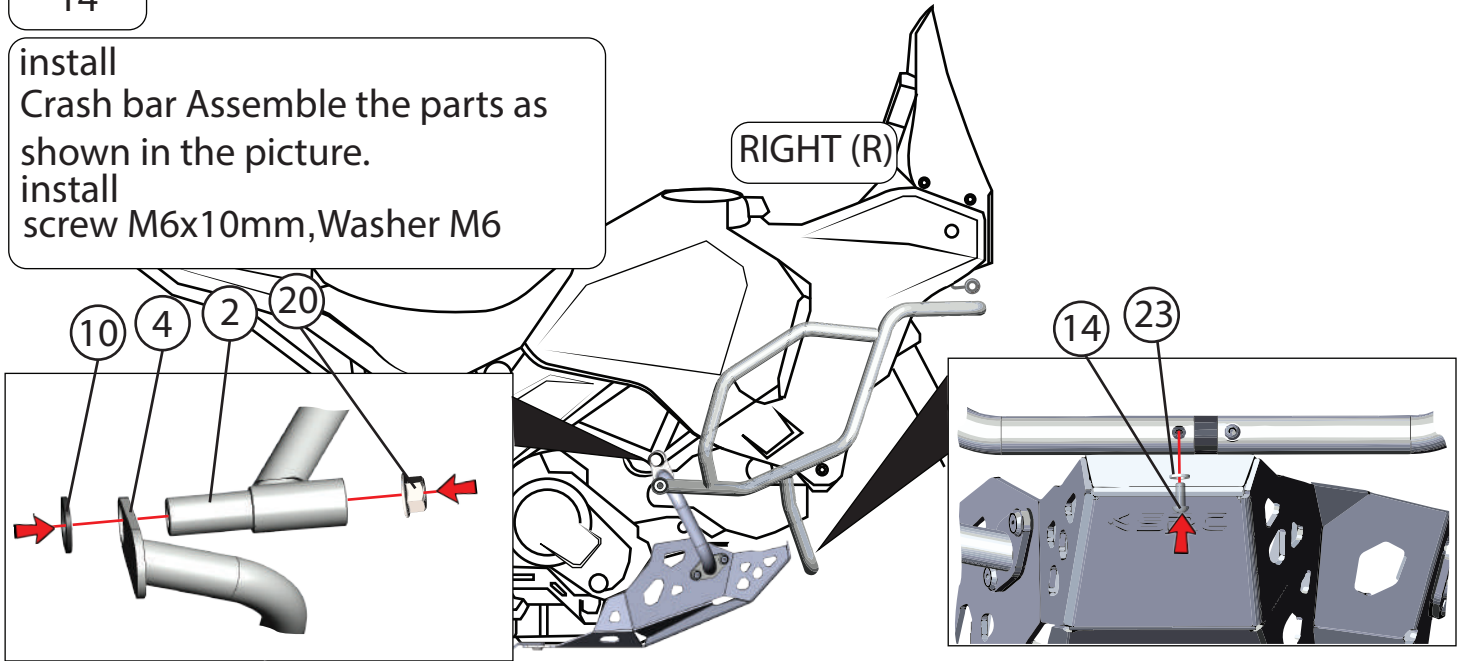
13

install
Crash bar support too screw M6x10mm
,Washer M6



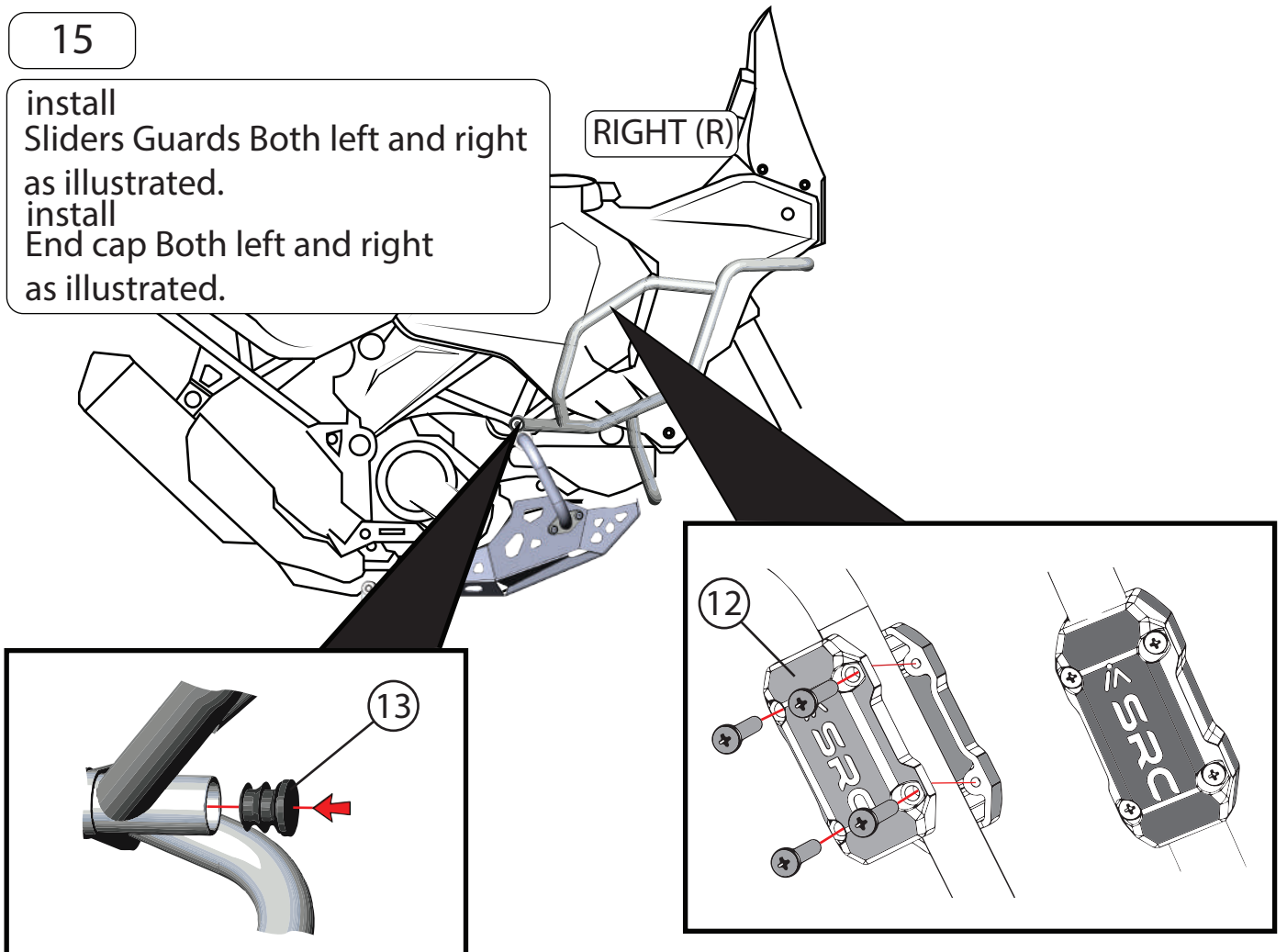
14

install
Crash bar Assemble the parts as
shown in the picture.
install
screw M6x10mm, Washer M6



15

install
Sliders Guards Both left and right
as illustrated.
install
End cap Both left and right
as illustrated.



- (1.) We request you to pay attention to the Mounting Instructions in this document and follow the step-by-step procedures.
- (2.) This Mounting Instruction manual is a “Do It Yourself” (DIY) fitment manual of the Accessory part to the Vehicle. We have prepared this based on our experience and knowledge, related to the Vehicle, Part and its functional aspects
- (3.) SRC cannot guarantee the interchangeability of the parts to any other manufacturer’s accessory part. It is advised to the User, to inspect and ensure the original state of all other Vehicle parts.
- (4.) We request you to bear in mind, that the Installed part can change the driving behaviour and/or the stability during driving or any other dynamic conditions.
- (5.) If you have the appropriate tools and another person to assist you in the mounting, it will help.
- (6.) After Completion of the Mounting and before taking on a First ride, Ensure and Check all functions of the Vehicle. It is always advised to check loosening of the fasteners after the first 50 kilo meters of ride and at regular intervals.
- (7.) To the maximum extent possible, our design use the current Mounting/Fitment of the Original Equipment, so that Installation of these accessories will not affect the Payload or Function of the Vehicle or the Part on which it is mounted to protect it.
- (8.) If any additional modifications are to be done, prior to the fitment of the accessories, it will be explicitly specified in the instruction sheets

