

**Scope of Supply/Bill of Material & Mounting Drawings**

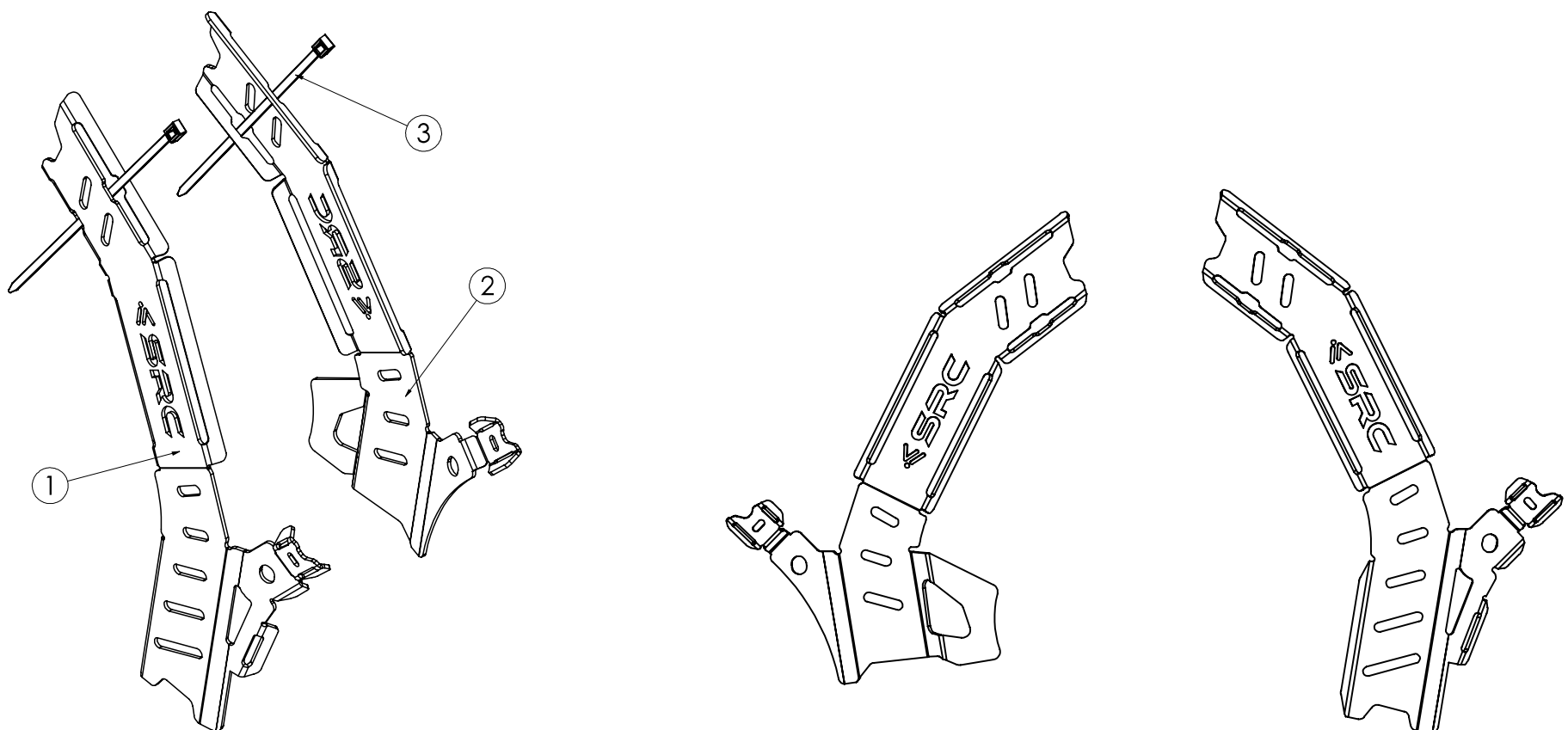
Part Number: H-CRF250L-20-01-AL / H-CRF250L-20-02-AL

Part Description: FRAME PROTECTORS – HONDA CRF250 L / HONDA CRF250 RALLY

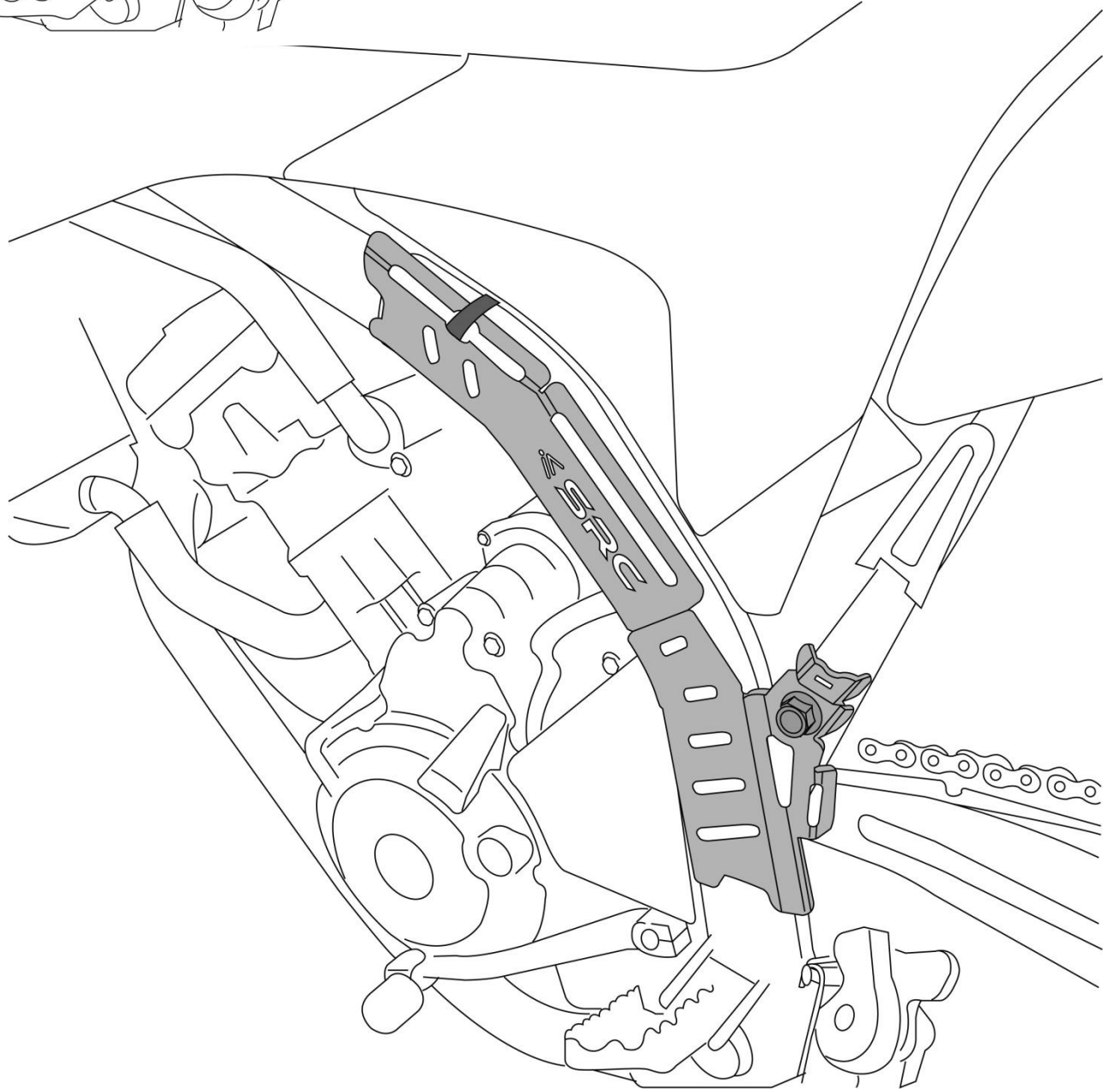
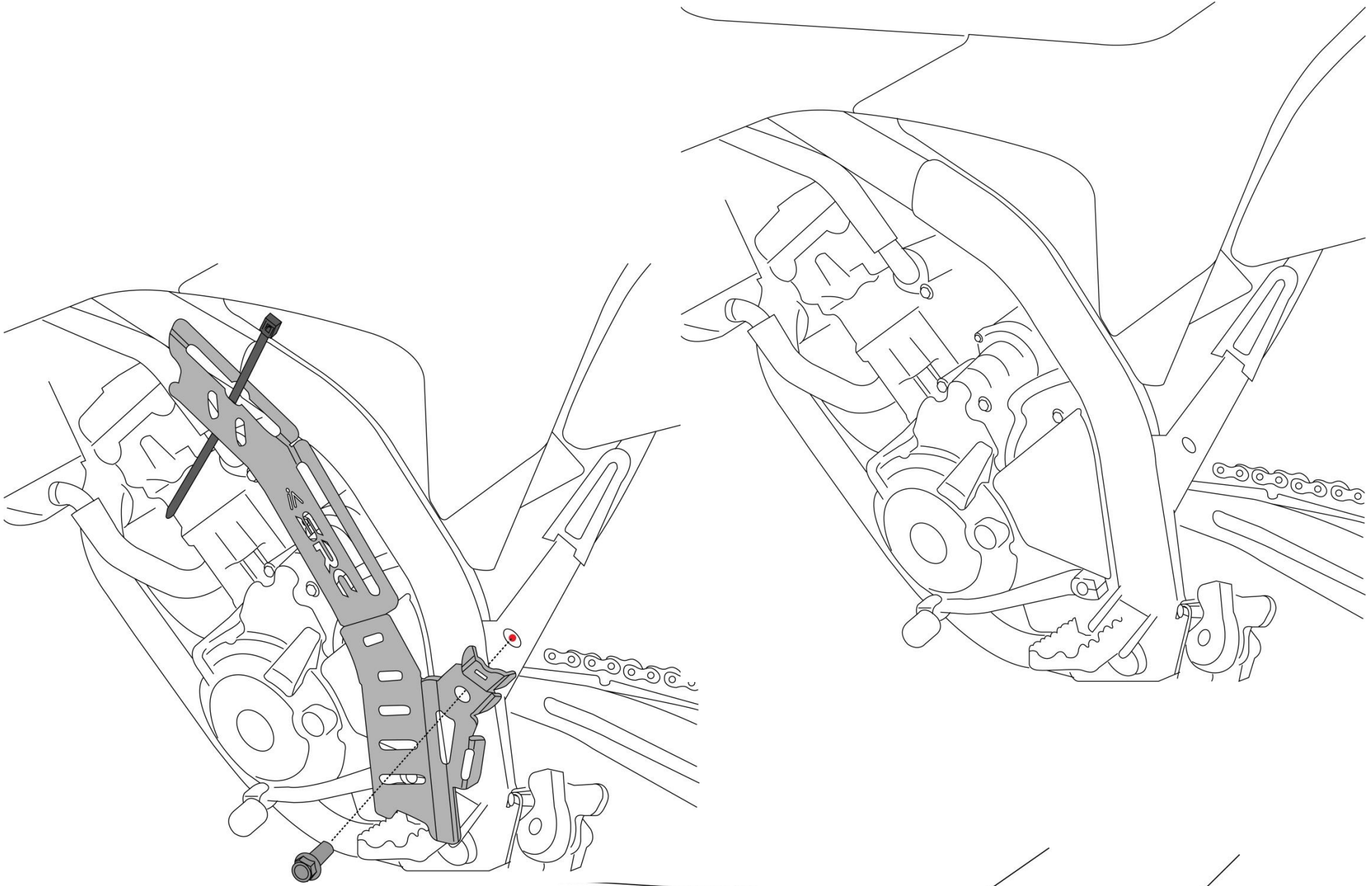
**Installation / Parts List / Bill of Material for Mounting**

- SRC’s scope of supply of parts for FRAME PROTECTORS is the Metal Cover as shown above
- For mounting the above part, we use the Mounting Fastener already used in the vehicle for mounting the FRAME PROTECTORS

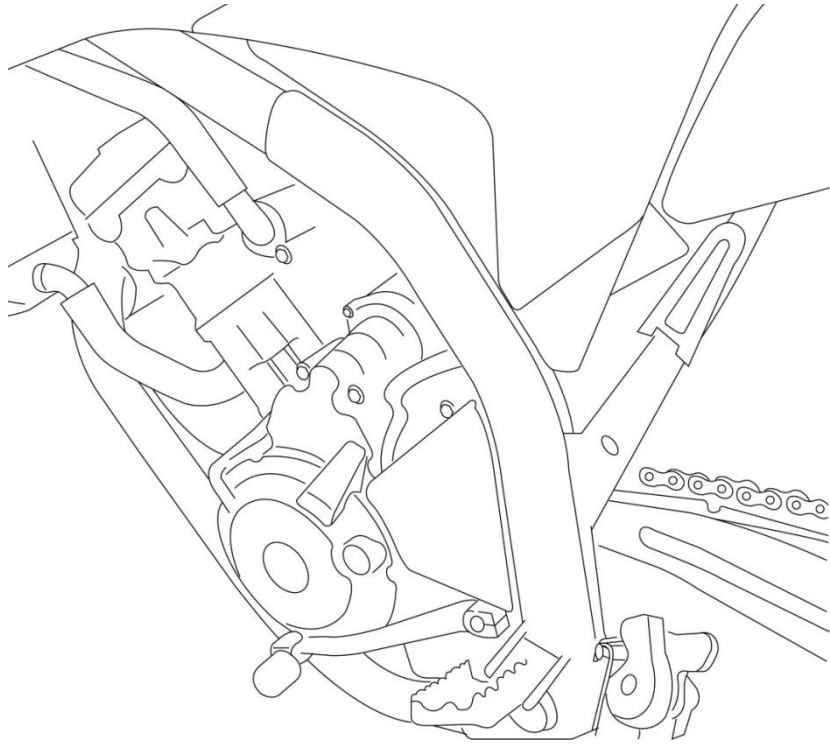
No.	Description	Quantity	Torque * (N-m)	Remarks **
1	Guard Frame - LH	1		
2	Guard Frame - RH	1		
3	Cable Tie	2		
SRC Design uses Metric System of Measurement and all dimensions are in Millimeters				
* Recommended to use the Torque specified in the table				
** Denotes Usage of Liquid Thread Locker in specified locations				



**MOUNTING DRAWINGS**



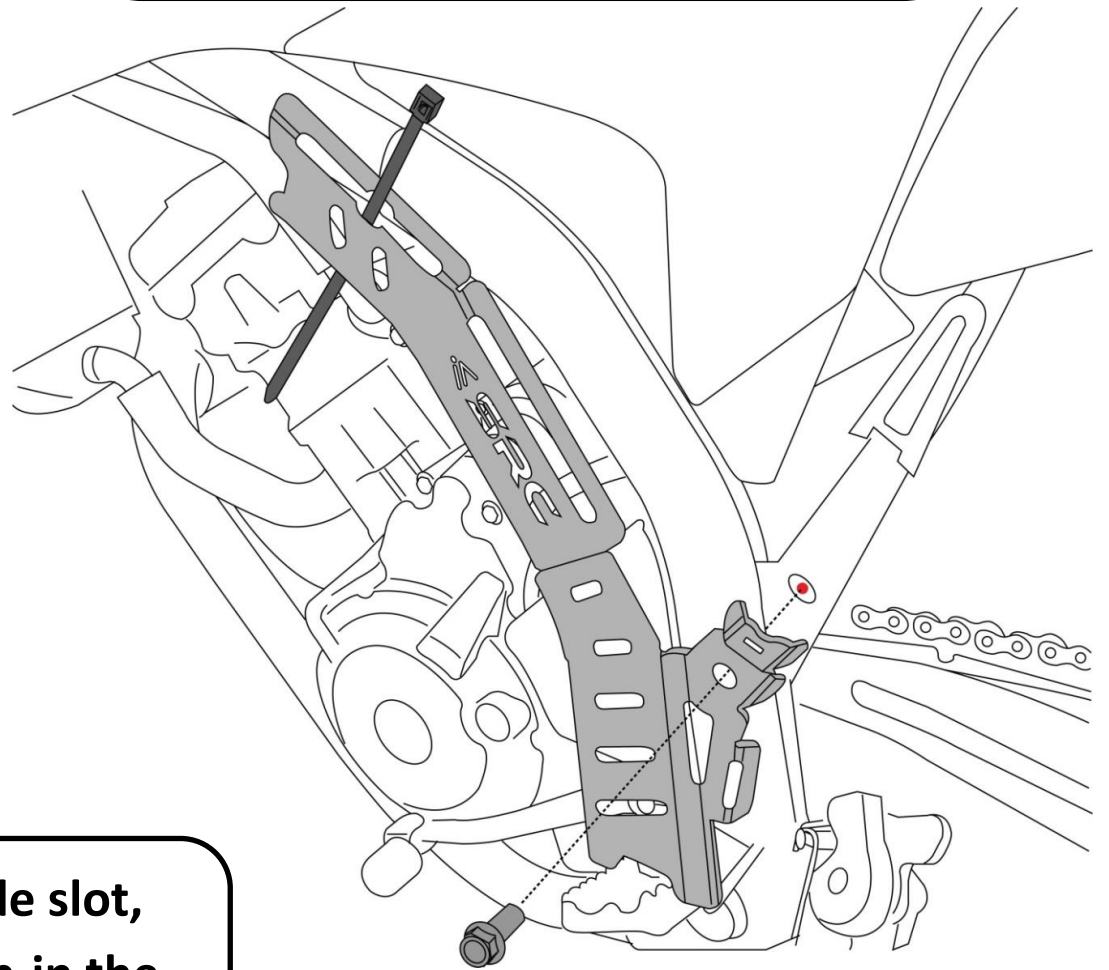
**Mounting Instructions**



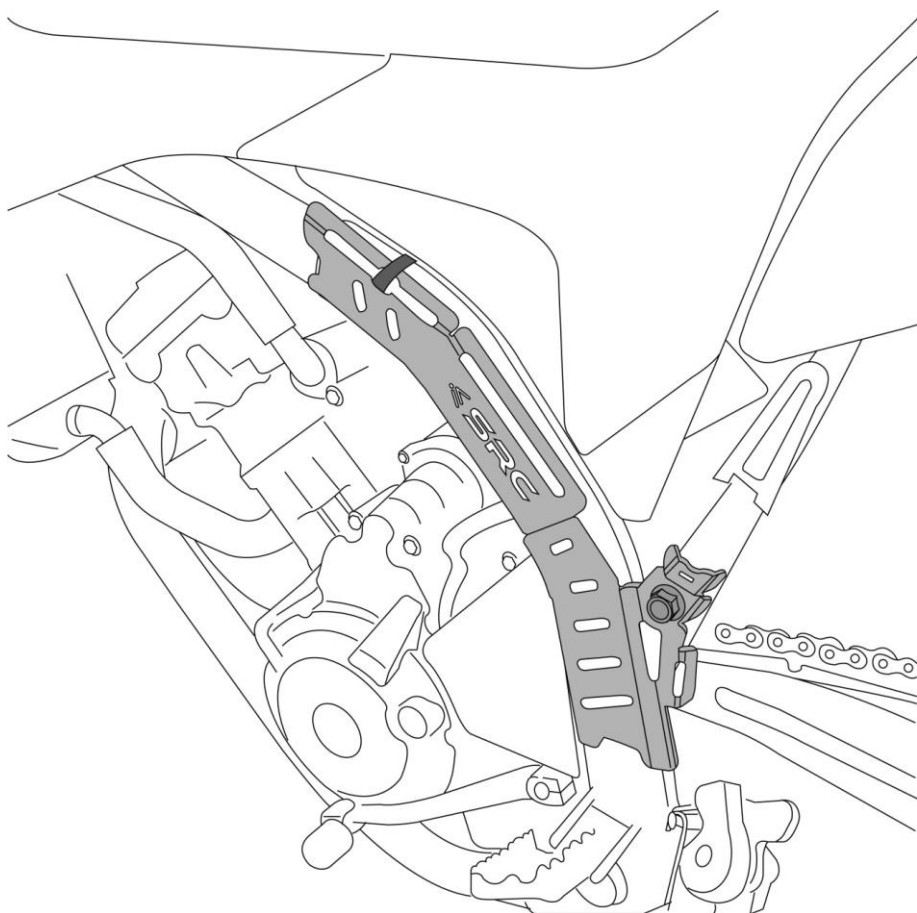
**SRC Frame Protector uses the mounting hole located (as shown in the drawing below). The Protector shields the Twin frames (on either side)**

**Step 1:**

**Orient the Bottom end of the Frame Protector, in-line with the Mounting Hole and secure it using the Mounting Bolt (already available in the Motorbike)**



**Step 2: The Top End has wide slot, and a Notch provided to slip-in the Cable Tie, as shown**



**Step 3: Ensure visually the Protector shields the Frame, as shown and tie-up the cable to the frame at the top and tighten the bolt.**

**Repeat the same steps, for fitment of Protector to the frame, on the other side of the Motorbike**



## General Information

1. We request you to pay attention to the Mounting Instructions in this document and follow the step-by-step procedures.
2. This Mounting Instruction manual is a “Do It Yourself” (DIY) fitment manual of the Accessory part to the Vehicle. We have prepared this based on our experience and knowledge, related to the Vehicle, Part and its functional aspects.
3. SRC cannot guarantee the interchangeability of the parts to any other manufacturer’s accessory part. It is advised to the User, to inspect and ensure the original state of all other Vehicle parts.
4. We request you to bear in mind, that the Installed part can change the driving behaviour and/or the stability during driving or any other dynamic conditions.
5. If you have the appropriate tools and another person to assist you in the mounting, it will help.
6. To the maximum extent possible, our design use the current Mounting/Fitment of the Original Equipment, so that Installation of these accessories will not affect the Payload or Function of the Vehicle or the Part on which it is mounted to protect it
7. If any additional modifications are to be done, prior to the fitment of the accessories, it will be explicitly specified in the instruction sheets.

**The Mounting Instructions can also be downloaded from SRC Website.**