

Note!

Please note that this image is a general representation of the product and may differ slightly from your product.

Note!

Please note that during storage and transportation, especially at high ambient temperature, some of the oil and grease used for assembling may leak and stain the packaging. This is in no way detrimental to the product, wipe off the excessive oil/grease with a cloth.

Note!

Before installing this product, check the contents of the kit. If anything is missing, please check an Öhlins dealer.

Kit Contents

Description	Part No	Pcs
Shock absorber	HO 112	2
Screw M8x35	00432-01	2
Tool preload adjuster	03199-03	1
Sticker set "ÖHLINS"	10207-01	1
Owners manual road & track	07241-02	1

Alternative spring

Spring46/200/prog12-18N/mm	60360-02	2
----------------------------	----------	---

Warning!

Before installing this product, read the Öhlins Owner's Manual. The shock absorber is an important part of your vehicle and will affect the stability.

Shock Absorber for HONDA PCX 160-2020

HO 112

Mounting Instructions

Note!

The motorcycle rear mudguard need to be modified to fit the shock absorbers.



MOUNTING INSTRUCTIONS

Note!

It is advisable to have an Öhlins dealer install the shock absorber.

Warning!

If working on a raised vehicle, ensure it is securely supported so that it will not tip over.

Note!

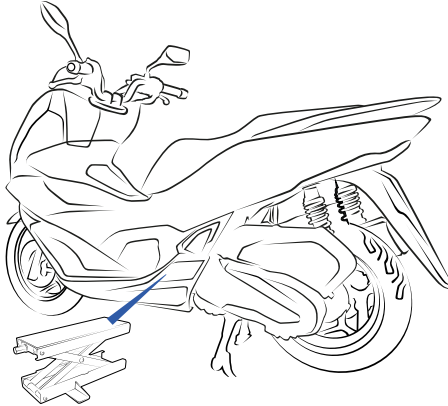
Before mounting this product clean the vehicle thoroughly.

Note!

When working on this product, always see the Vehicle Service Manual for vehicle specific procedures and important data.

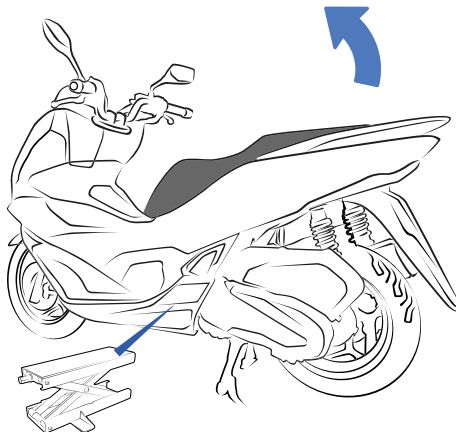
1

Put the motorcycle on a work stand so that the rear wheel barely touches the ground. Make sure the motorcycle is in a stable position.



2

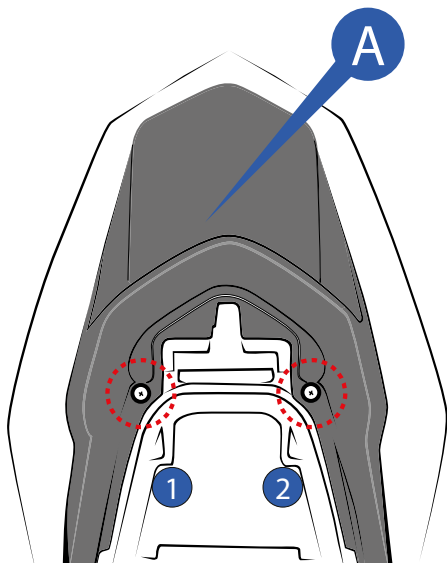
Open the seat.



MOUNTING INSTRUCTIONS

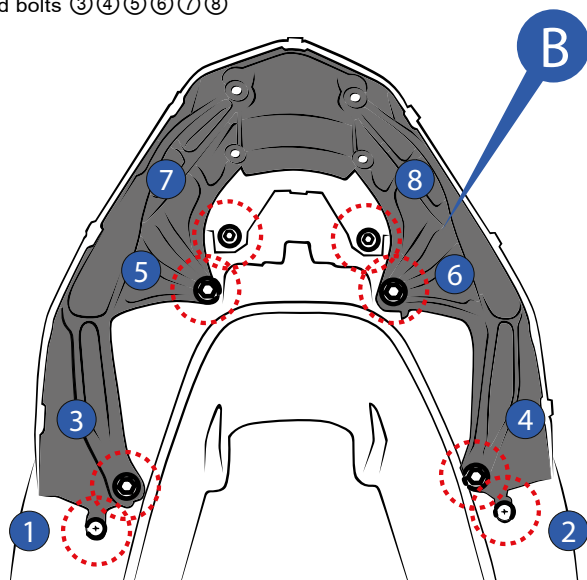
3

Remove the plastic cover **A** by loosening the screws **1** **2**.



4

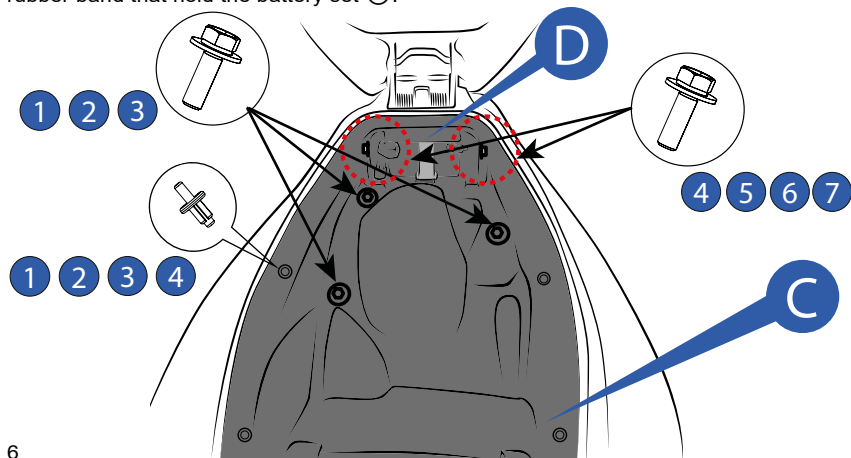
Remove the grab bar **B** by loosening the screws **1** **2** and bolts **3** **4** **5** **6** **7** **8**.



MOUNTING INSTRUCTIONS

5

Remove the storage box © by loosening the screws ①②③④⑤⑥⑦,unlocking the push clips ①②③④,and releasing the rubber band that hold the battery set ④.

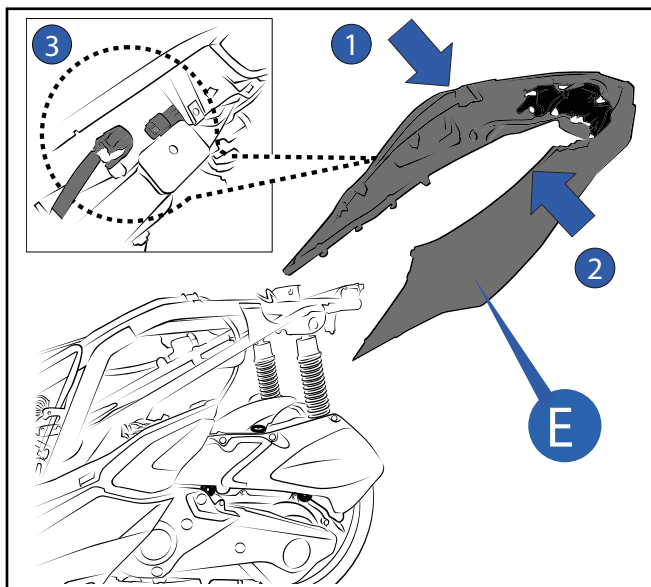


6

Remove the entire cover fairing ⑤ as per following instructions:

6.1 Unclip the plastic clip lock ①②

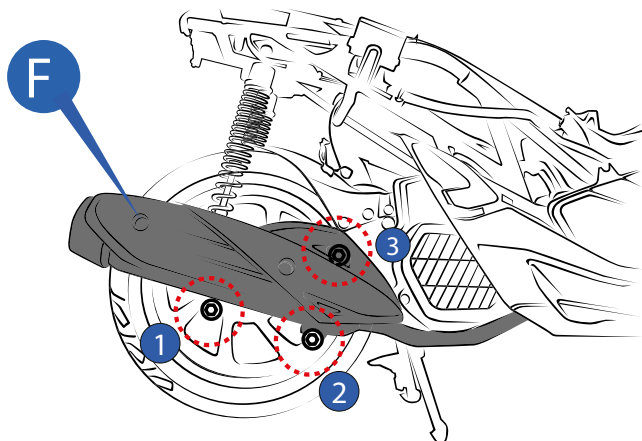
6.2 Unplug the rear light wirings ③,then slide the entire cover fairing ⑤ towards the back of the motorcycle.



MOUNTING INSTRUCTIONS

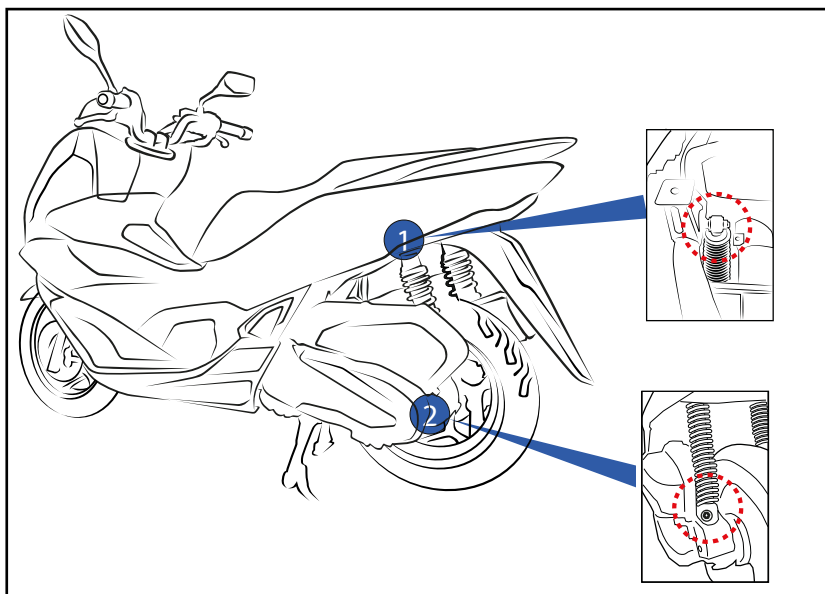
7

Remove the exhaust muffler (F) by loosening the bolts ① ② ③.



8

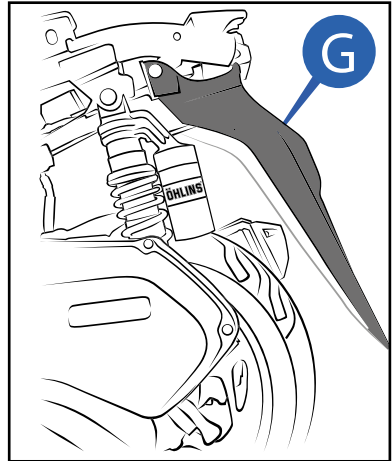
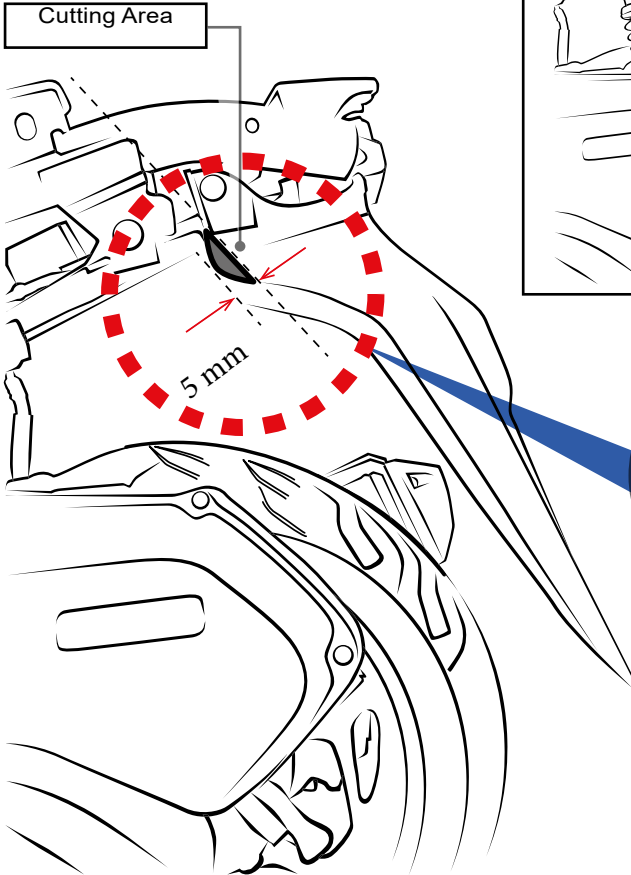
Remove the standard shock absorbers by loosening the upper nuts and lower mounting bolts ① ②.



MOUNTING INSTRUCTIONS

👁 **Note!**

Modify the rear mudguard as per picture below in order to provide enough clearance toward the cylinder head, when the shock absorbers is fully compressed.



👁 **Note!**

Lower the vehicle so that the suspension is slightly compressed before tightening the screws.

👉 **Caution!**

Ensure that all screws are tightened to the correct torque and that nothing fouls or restricts movement of the shock absorber when the suspension is fully compressed or extended.

MOUNTING INSTRUCTIONS

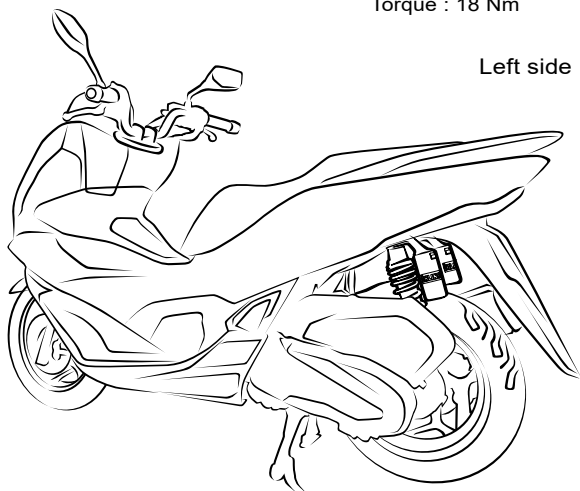
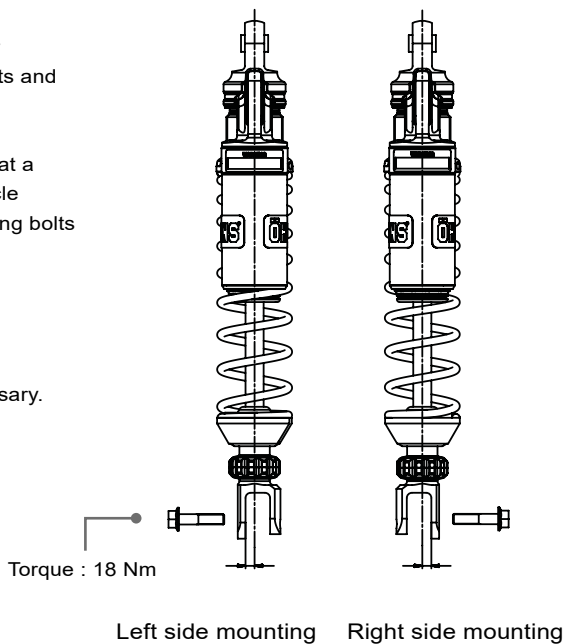
10

Install the Öhlins shock absorbers by tightening the upper ① mounting nuts and lower ② mounting bolts.

Tighten the upper mounting nuts ① at a torque value as specified in the vehicle service manual and the lower mounting bolts ② at torque 18 Nm

11

Reverse all the procedures as necessary.



👁 **Note!**

Lower the vehicle so that the suspension is slightly compressed before tightening the screws.

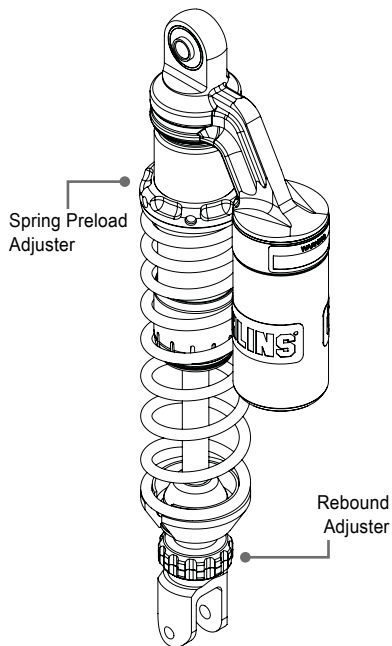
👋 **Caution!**

Ensure that all screws are tightened to the correct torque and that nothing fouls or restricts movement of the shock absorber when the suspension is fully compressed or extended.

ADJUSTMENTS

⚠ Warning!

Before riding, always make sure that the basic settings made by Öhlins are according to recommended Set-up Data. Read about adjustments and setting up in the Öhlins Owner's Manual before you make any adjustments. Contact an Öhlins dealer if you have any questions about setting up.



SET-UP DATA

Recommended set-up

Spring Preload..... 10 mm
Rebound adjuster 20 Clicks

Shock absorber data

Length 371.5 mm
Stroke 105.5 mm

Spring

Part No 60014-09
Free spring length... 200 mm
Spring rate..... 9 N/mm
Preload adj.range.... [0-18] mm
For rider's weight.... Below 100 kg

Installed spring

Alternative spring

60360-02
200 mm.
Prog.12-18 N/mm
[0-22] mm
Above 80 kg+Passenger

👁 Öhlins products are subject to continuous improvement and development, therefore, although these instructions include the most up-to-date information available at the time of printing, minor updates may occur.

To find the latest information contact an Öhlins distributor. Please contact Öhlins if you have any questions regarding the contents in this document.

Part no. MI_HO 112_EN_0
Issued 2021-04-01

© Öhlins Asia Co. Ltd. All rights reserved. Any reprinting or unauthorized use without the written permission of Öhlins Racing AB is prohibited.

Öhlins Asia Co. Ltd
700/937 Moo5, Tambol Nongkhaga,
Amphur Phantong, Chonburi Province
20160 Thailand



www.ohlins.com